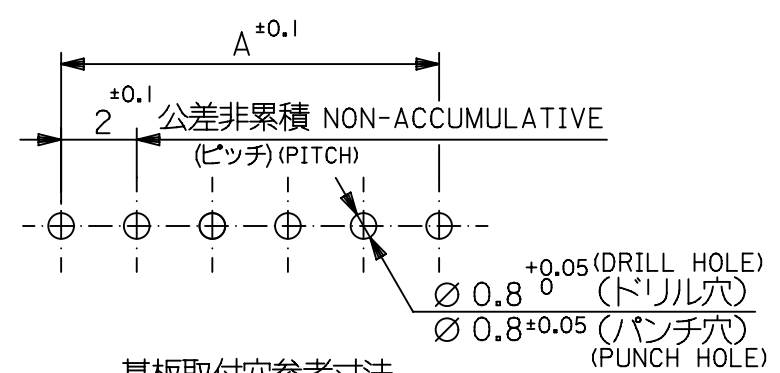
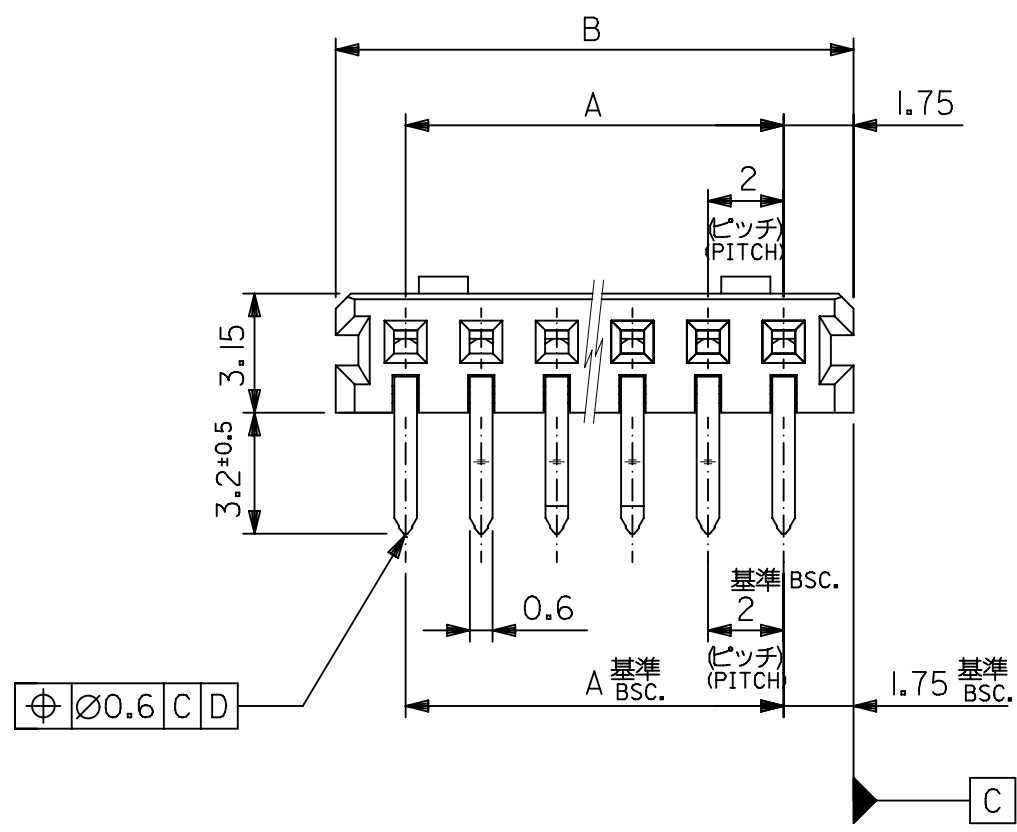


注記 NOTES

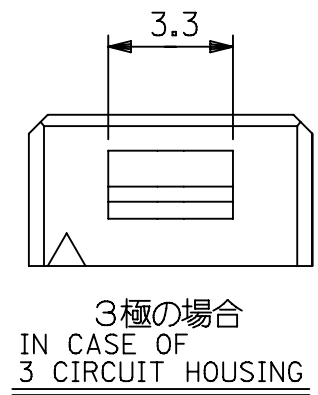
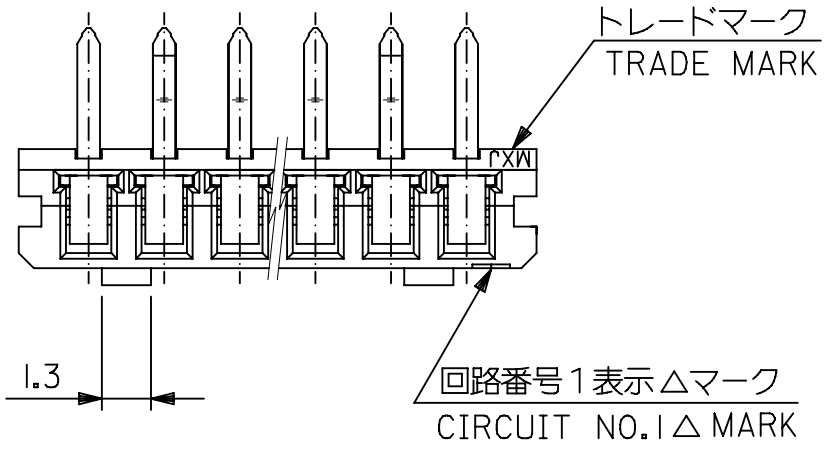
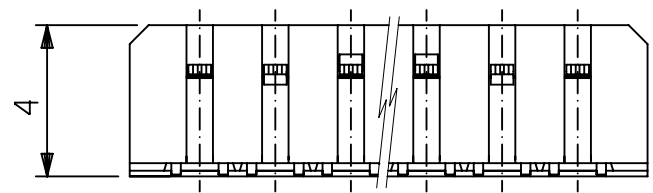
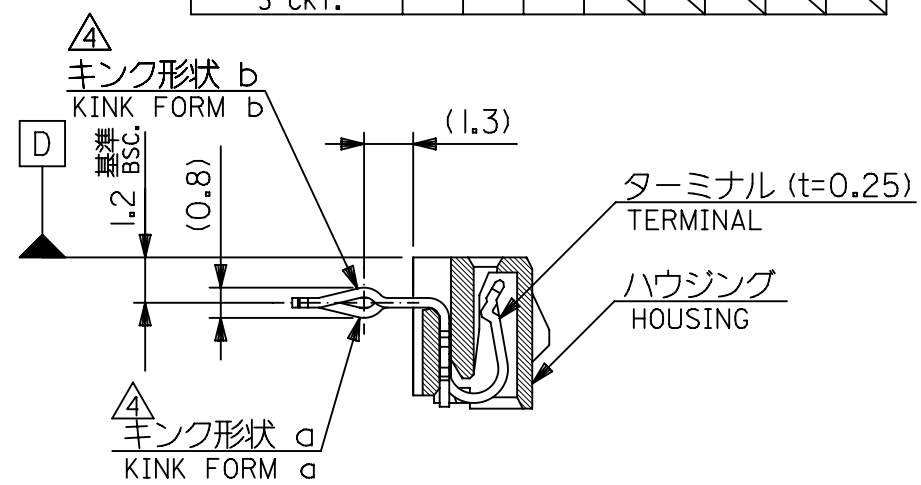
1. 材料 MATERIAL
 ハウジング: PBT (ガラス15%入り), UL94V-0
 HOUSING G.F. 15%
 ターミナル: リン青銅、錫メッキ
 TERMINAL PHOS.BRO. PRE-TINNED
2. 嵌合相手: 53290-**10, -**20
 MATES WITH
3. 各部のソリは0.2MAX.
 CAMBER; 0.2MAX.
4. キングは、下記表の位置に付加。
 KINK TO BE APPLIED AS FOLLOWS.
 (N: 極数 CKT.)



基板取付穴参考寸法
 RECOMMENDED P.C.BOARD
 HOLE DIM.(REFERENCE)
 (t=1.6)



極数 CKT.	回路番号 CKT. No.	1	2	3	4	5	N-2	N-1	N
6極以上 MORE THAN 6 CKT.		-	a	b	-	-	b	a	-
5極 5 CKT.		a	b	-	b	a			
4極 4 CKT.		a	b	b	a				
3極 3 CKT.		a	b	a					



41.5	38	52418-2010	20
37.5	34	-1810	18
35.5	32	-1710	17
33.5	30	-1610	16
31.5	28	-1510	15
29.5	26	-1410	14
27.5	24	-1310	13
25.5	22	-1210	12
23.5	20	-1110	11
21.5	18	-1010	10
19.5	16	-0910	9
17.5	14	-0810	8
15.5	12	-0710	7
13.5	10	-0610	6
11.5	8	-0510	5
9.5	6	-0410	4
7.5	4	52418-0310	3
B	A	ENG. NO.	極数 CKT.

THIS DRAWING CONTAINS INFORMATION THAT IS PROPRIETARY TO MOLEX ELECTRONIC TECHNOLOGIES, LLC AND SHOULD NOT BE USED WITHOUT WRITTEN PERMISSION

DIMENSION UNITS	SCALE	CURRENT REV DESC: REMOVED OBSOLETE PART NUMBERS AS PER PCN#511689.
mm	NTS	
GENERAL TOLERANCES (UNLESS SPECIFIED)		
ANGULAR TOL	±	°
4 PLACES	±	
3 PLACES	±	
2 PLACES	±	
1 PLACE	±	
0 PLACES	±	
DRAFT WHERE APPLICABLE MUST REMAIN WITHIN DIMENSIONS		
THIRD ANGLE PROJECTION	DRAWING	SERIES
	A3-SIZE	52418
MATERIAL NUMBER		CUSTOMER
SEE TABLE		GENERAL MARKET
DOCUMENT NUMBER		DOC TYPE DOC PART REVISION
SD-52418-XX10		PSD 001 C1
EC NO: 745492		2023/04/26
DRWN: LIKITV		2023/05/25
CHK'D: GGA		2023/05/25
APPR: GGA		2023/05/25
INITIAL REVISION:		
DRWN: RFC_PLMIMP		2018/12/13
APPR: RFC_PLMIMP		2018/12/13

角度 ANGLE	±3°	C1 変更 (745492) LIKITV GGA 2023/04/26
30以上 OVER	±0.3	C 変更 (J30969) T.I. M.F. '93/9/23
10以上 30未満 UNDER	±0.25	B 変更 (J10812) T.I. '91/9/27
10未満 UNDER	±0.2	A 変更 (J00866) T.I. '90/8/21
記号 LTR	変更内容 REVISION RECORD	O 新規作成 (J00558) S.A. '90/7/12
一般公差 GENERAL TOLERANCES	REVISION RECORD	DR. 日付 DATE