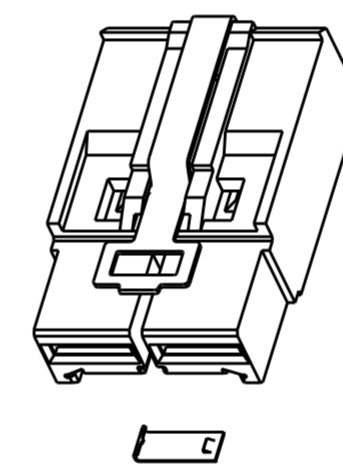
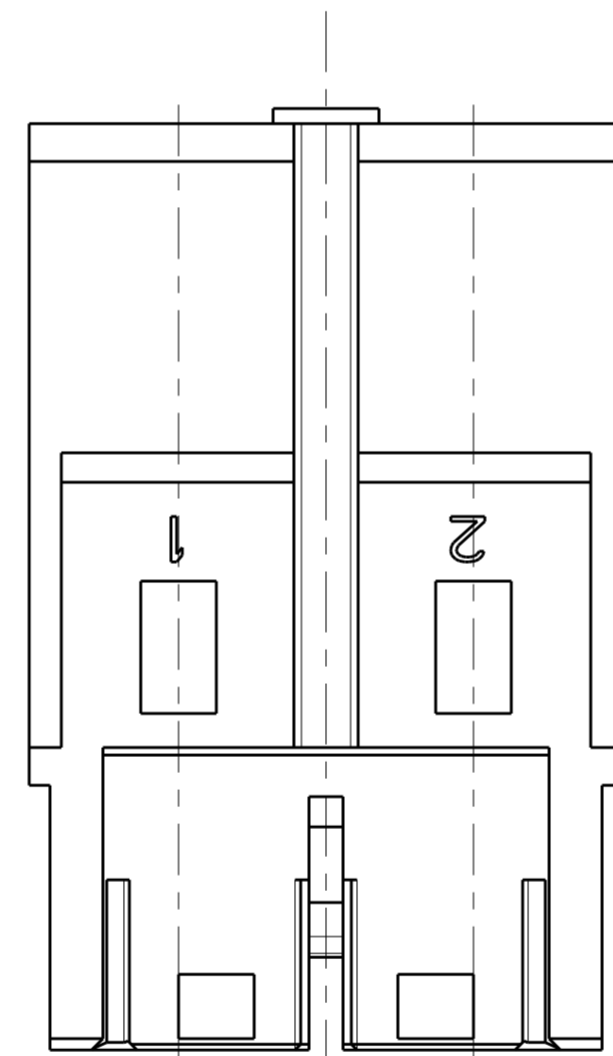
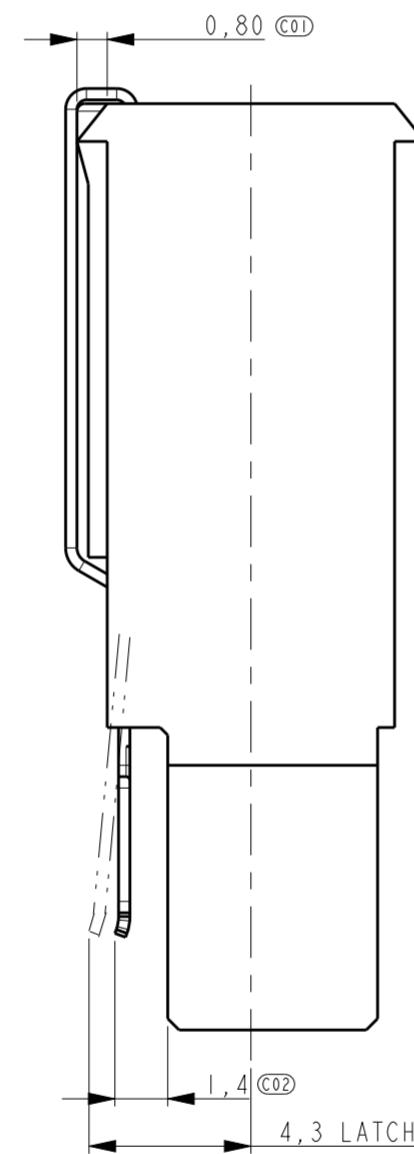
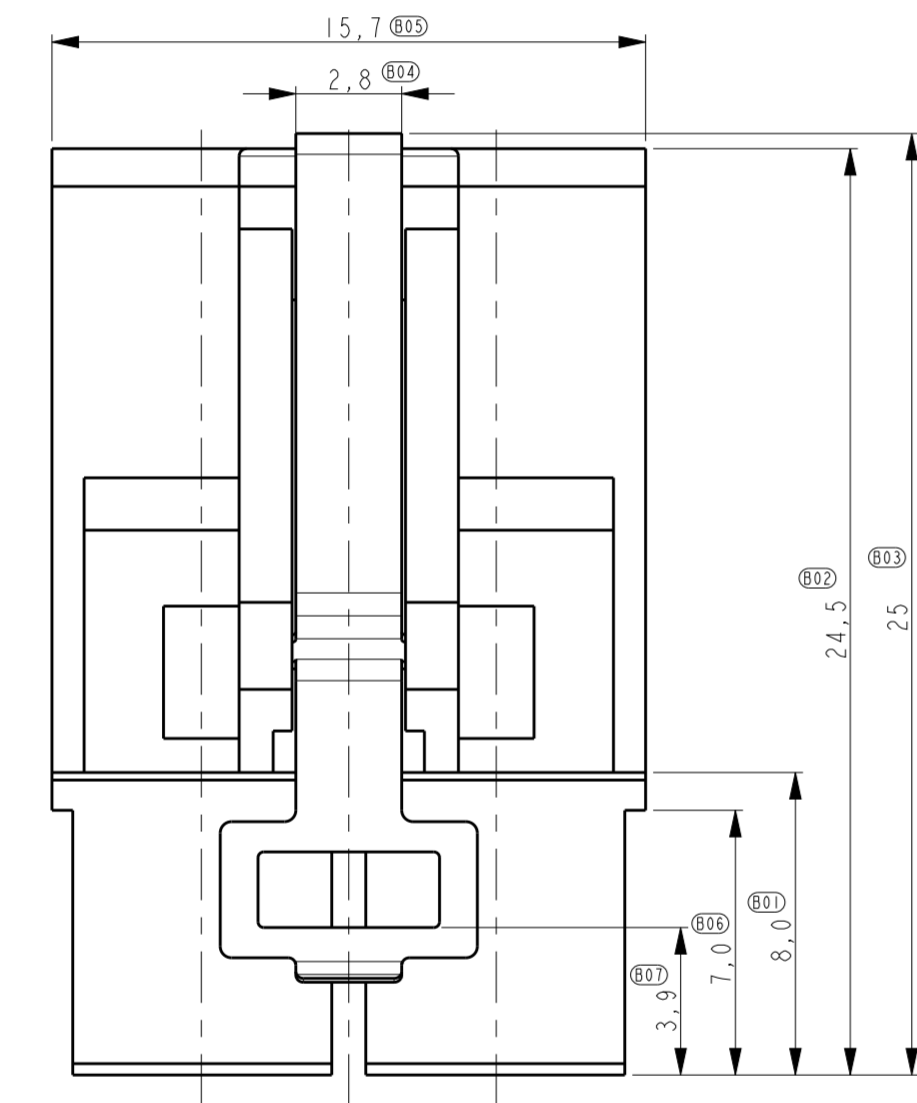
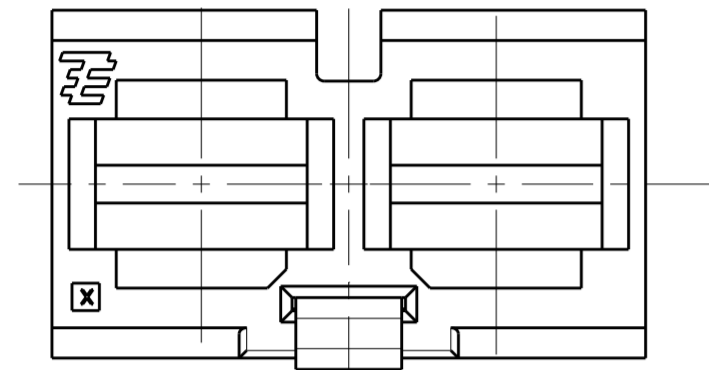


THIS DRAWING IS UNPUBLISHED. RELEASED FOR PUBLICATION
 © COPYRIGHT - TE CONNECTIVITY ALL RIGHTS RESERVED.

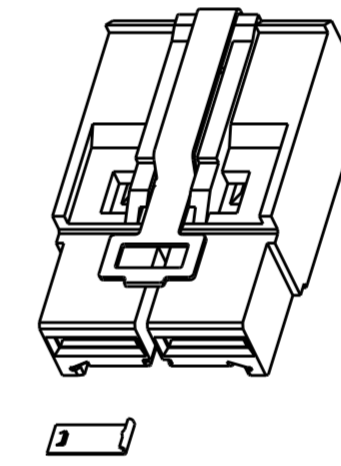
LOC	DIST	REVISIONS					
		P	LTR	DESCRIPTION	DATE	DWN	APVD
H	-	B2		ADD -8	08JAN2019	OL	SZ
		B3		REV PER ECO-19-010762	12JUL2019	OL	SZ
		B3		REV PER ECO-19-010762	25JUL2019	OL	SZ

NOTES:

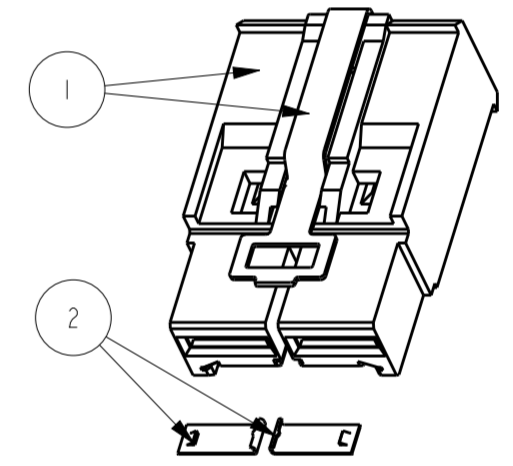
- 1 USE FOR (SILVER PLATED) STANDARD POWER TIMER CONTACTS .
FOR CONTACTS PARTNUMBERS SEE DWG. C-1355048 VERSION A
ALLOWED MAX WIRE SIZE 4 mm².
- 2 LOOSE PIECE PART NUMBER ITEM 2:1982298-2.



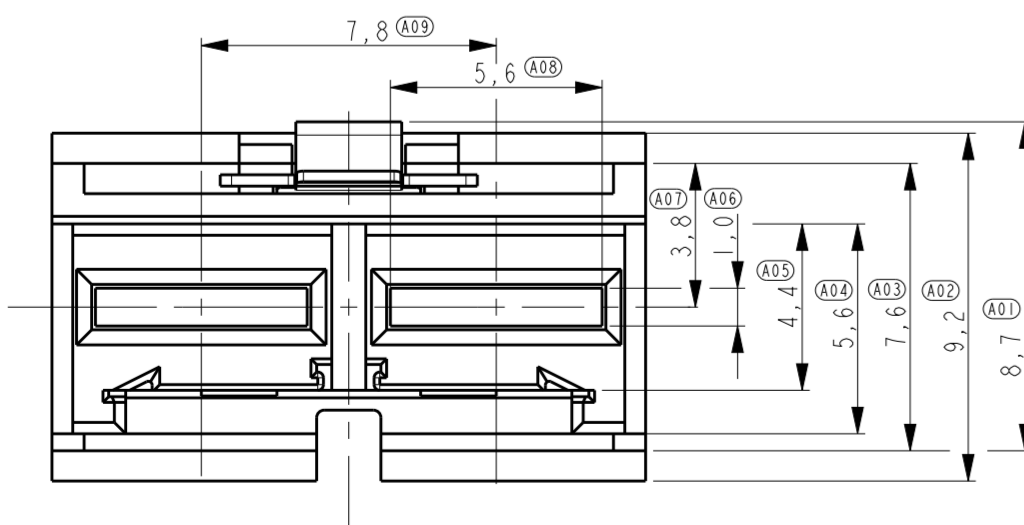
198299-1 WITH RIGHT CODING CONTACT



198299-2 WITH LEFT CODING CONTACT



198299-3 WITH TWO CODING CONTACTS



1982299-4	1982299-3	1982299-2	1982299-1
-	2	1	1
1	1	1	1

QTY	DESCRIPTION	MATERIAL	FINISH	ITEM
2	CODING CONTACT	COPPER ALLOY	0.8 um Au IN CONTACT PLACE OVER 1.2 um Ni UNDERLAYER OVERALL	2
1	HOUSING LATCH	PA GF UL94V-0 STAINLESS STEEL	NA	1

THIS DRAWING IS A CONTROLLED DOCUMENT.

DWN: R. Annokkee 13-feb-07
 CHK: R. Annokkee 13-feb-07
 APVD: J. Broeksteeg

TE Connectivity

ELCON Mini, 2-position cable connector metal latch, 4mm² max. wire

PRODUCT SPEC: 108-19346
 APPLICATION SPEC: 114-19110

SIZE: A2 CAGE CODE: 00779 DRAWING NO: 1982299

MATERIAL: - FINISH: - WEIGHT: -

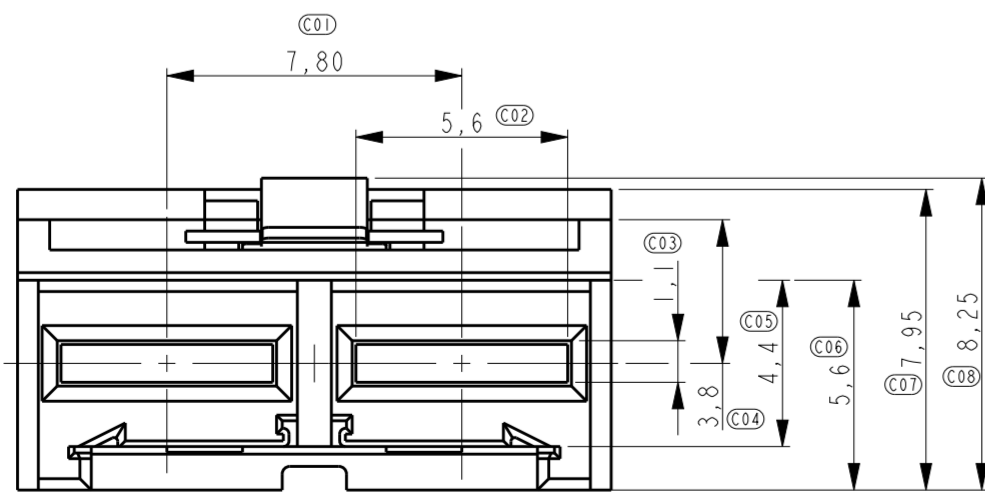
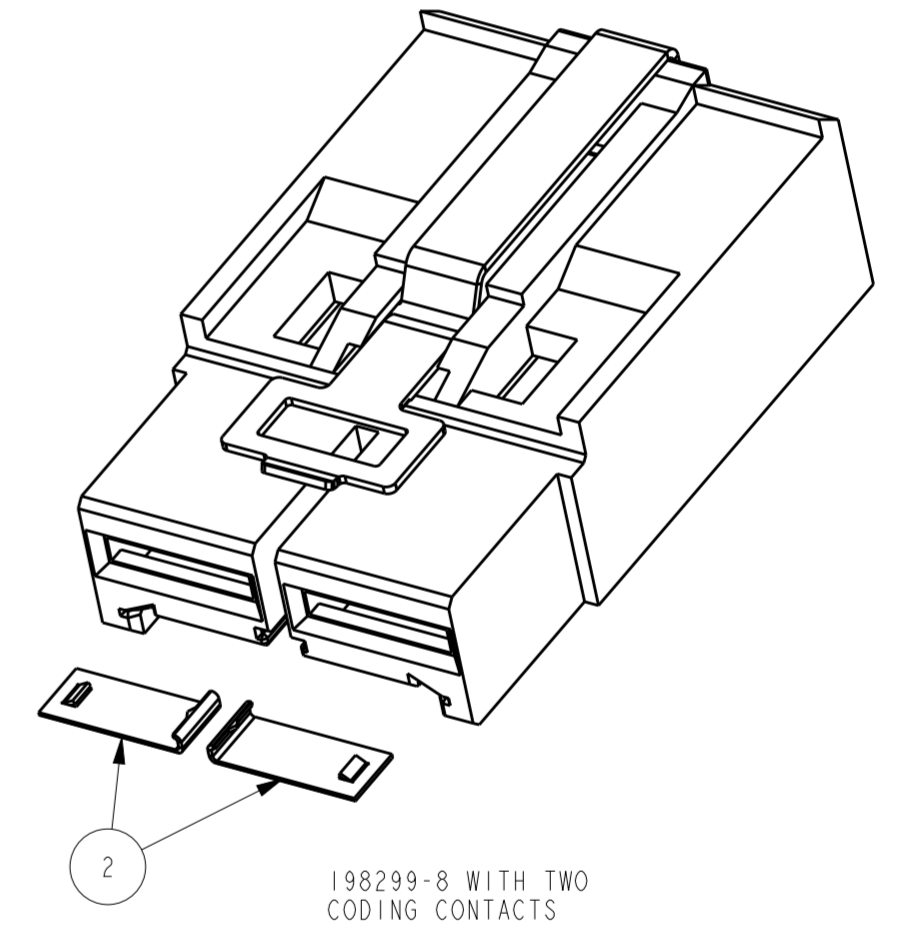
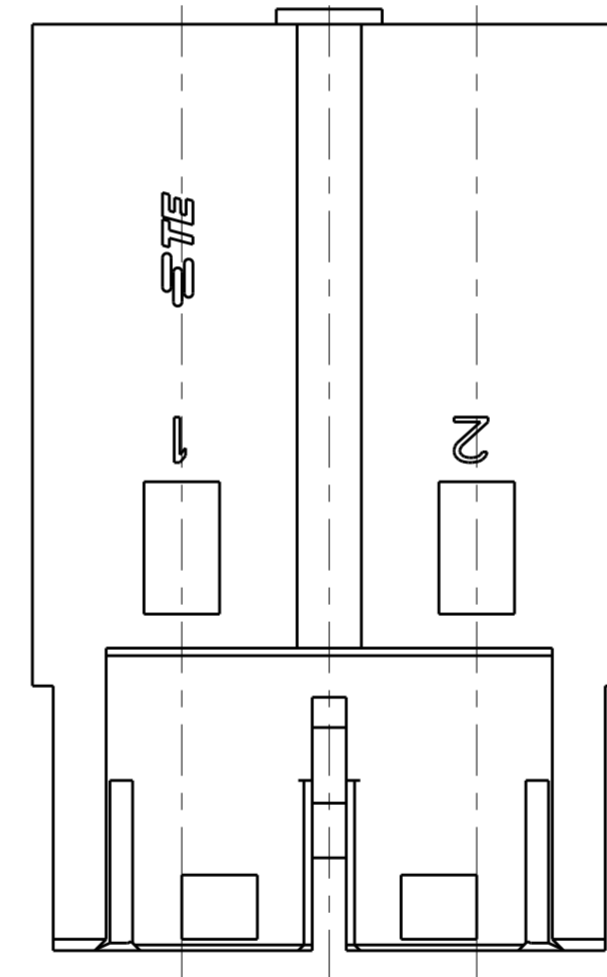
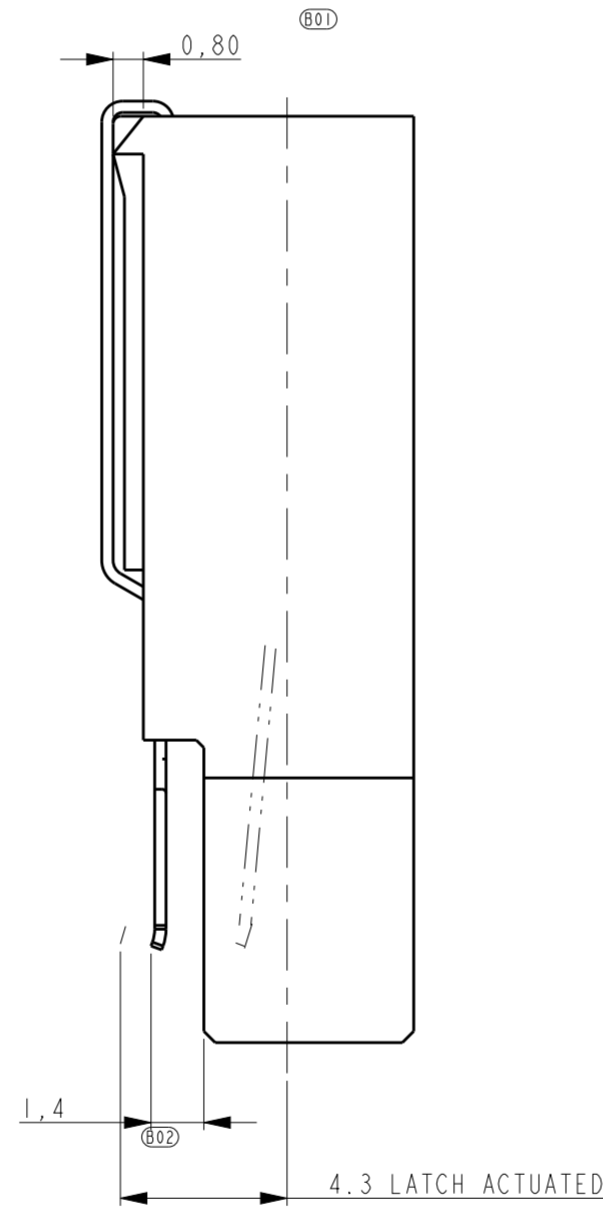
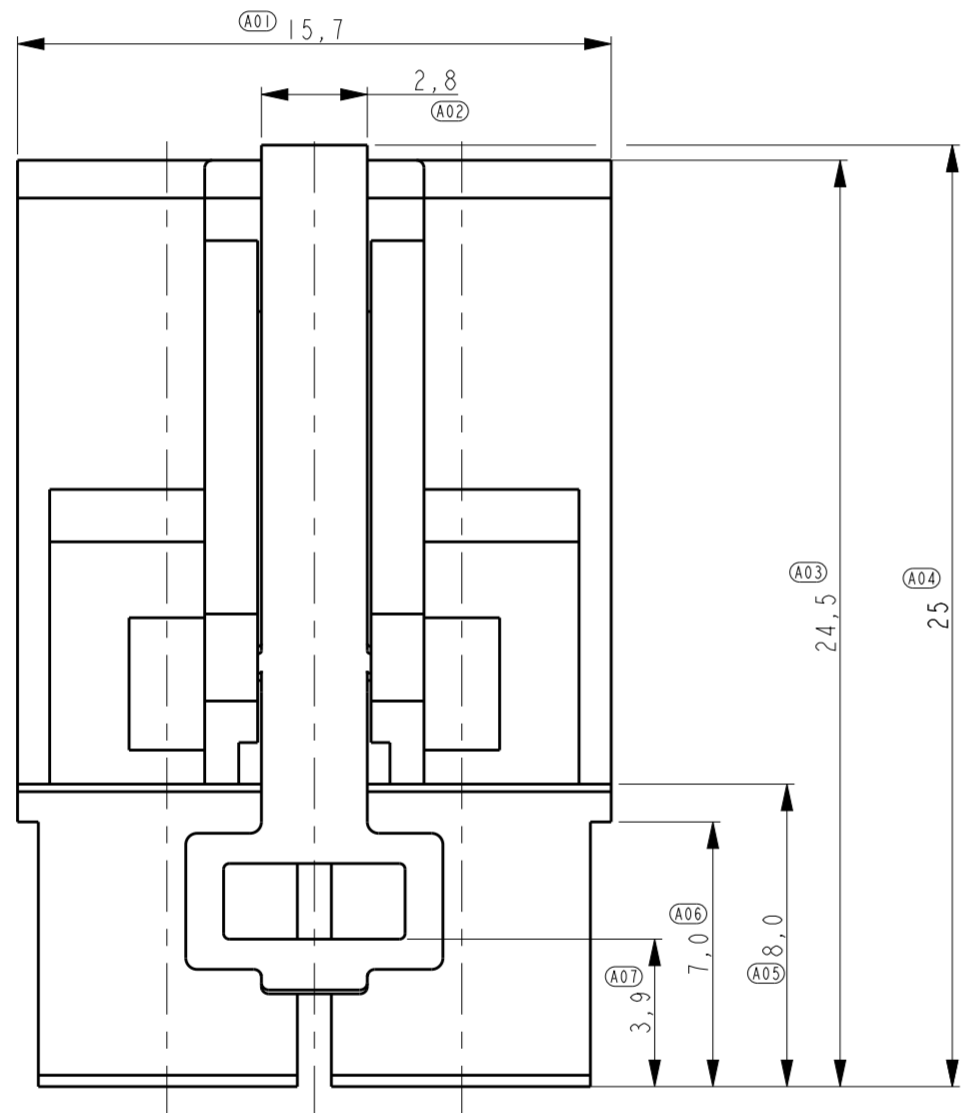
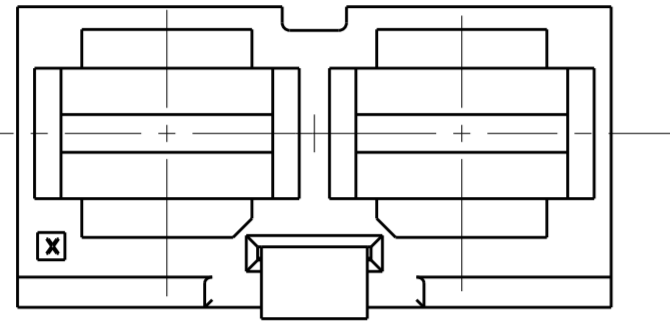
CUSTOMER DRAWING SCALE: 5:1 SHEET 1 OF 2 REV B.3

THIS DRAWING IS UNPUBLISHED. RELEASED FOR PUBLICATION
 © COPYRIGHT - TE CONNECTIVITY ALL RIGHTS RESERVED.

LOC		DIST		REVISIONS			
P	LTR	DESCRIPTION	DATE	DWN	APVD		
-	-	SEE SHEET 1	-	-	-		

NOTES:

- 1 USE FOR (SILVER PLATED) STANDARD POWER TIMER CONTACTS .
 FOR CONTACTS PARTNUMBERS SEE DWG. C-1355048 VERSION A
 ALLOWED MAX WIRE SIZE 4 mm².



QTY	QTY	DESCRIPTION	MATERIAL	FINISH	ITEM
2	-	CODING CONTACT	COPPER ALLOY	0.8 um Au IN CONTACT PLACE OVER 1.2 um Ni UNDERPLAYER OVERALL	2
1	1	HOUSING LATCH	PA GF UL94V-0 STAINLESS STEEL	NA	1

THIS DRAWING IS A CONTROLLED DOCUMENT.

DWN: R. Annokkee 13-feb-07
 CHK: R. Annokkee 13-feb-07
 APVD: J. Broeksteeg

NAME: **STE** TE Connectivity

PRODUCT SPEC: 108-19346
 APPLICATION SPEC: 114-19110

SCALE: 5.1
 SHEET: 2 OF 2
 REV: B.3

RESTRICTED TO: -

CUSTOMER DRAWING