

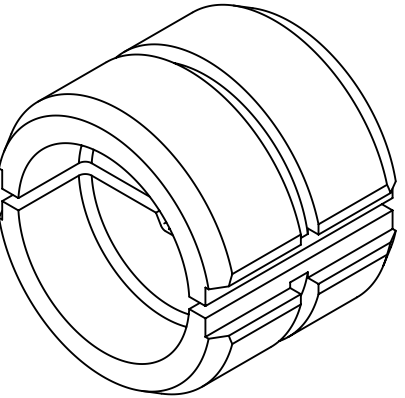
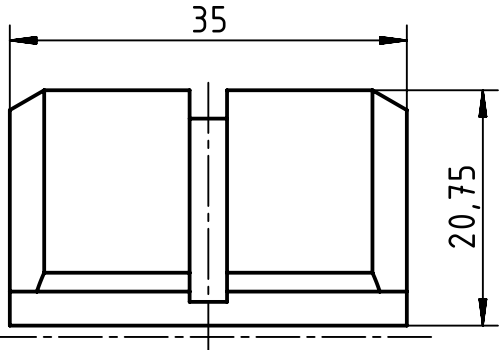
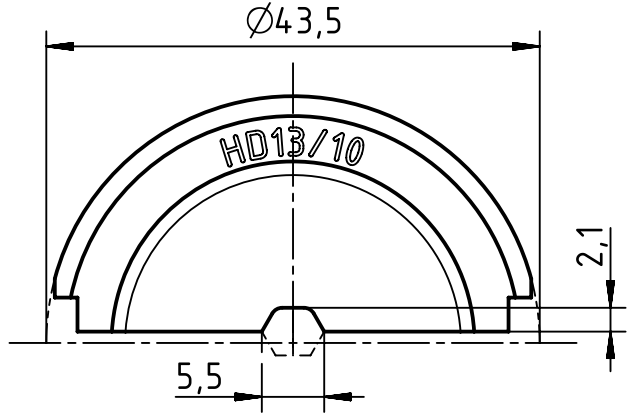
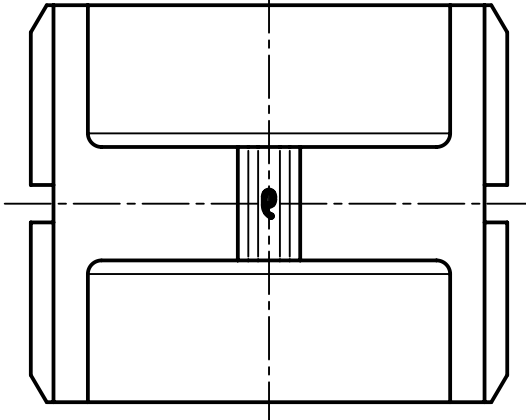
1 2 3 4 5 6

A


B

C

D



Scope of delivery 2 crimp dies

	All rights reserved Department EL PD - DE	All Dimensions in mm Original Size DIN A4		Scale 1.5:1	Free size tol.		Ref.		
		HARTING Electric GmbH & Co. KG D-32339 Espelkamp		Created by HOLLERT	Inspected by RIEPE	Standardisation TIEMANNA	Date 2014-11-21	State Final Release	
Title Crimp die 10mm ² for 120 kN tool							Doc-Key / ECM-Nr. 100587192/UGD/002/B 500000081874		
Type TB			Number 09 99 000 0862				Rev. B	Page 1/1	