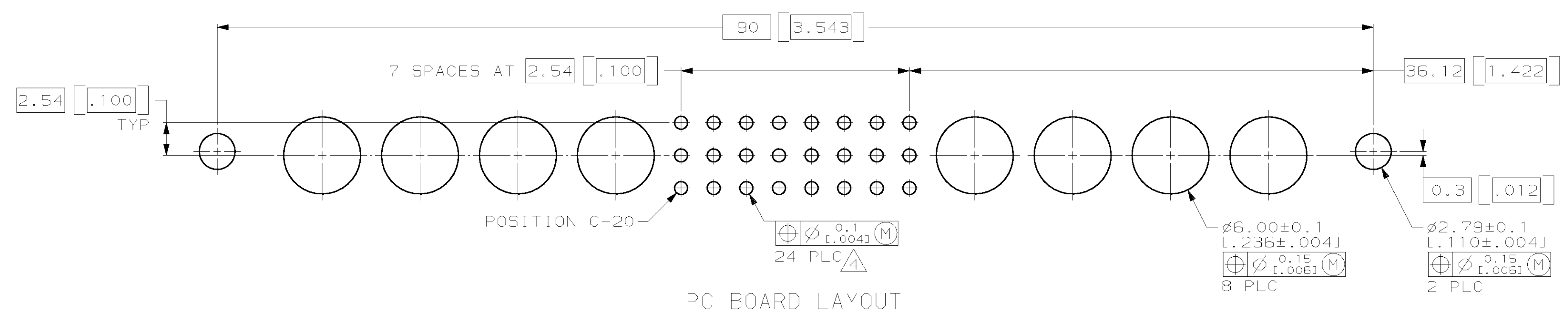
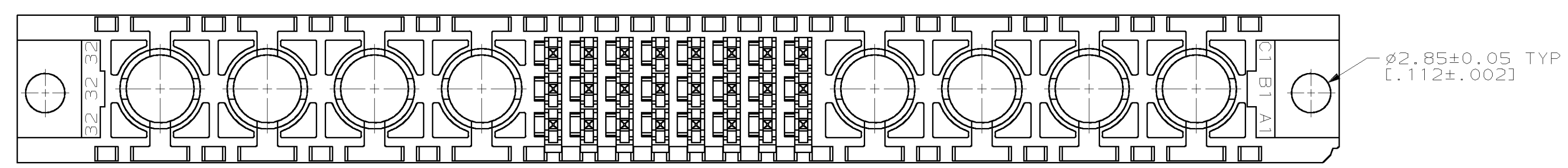
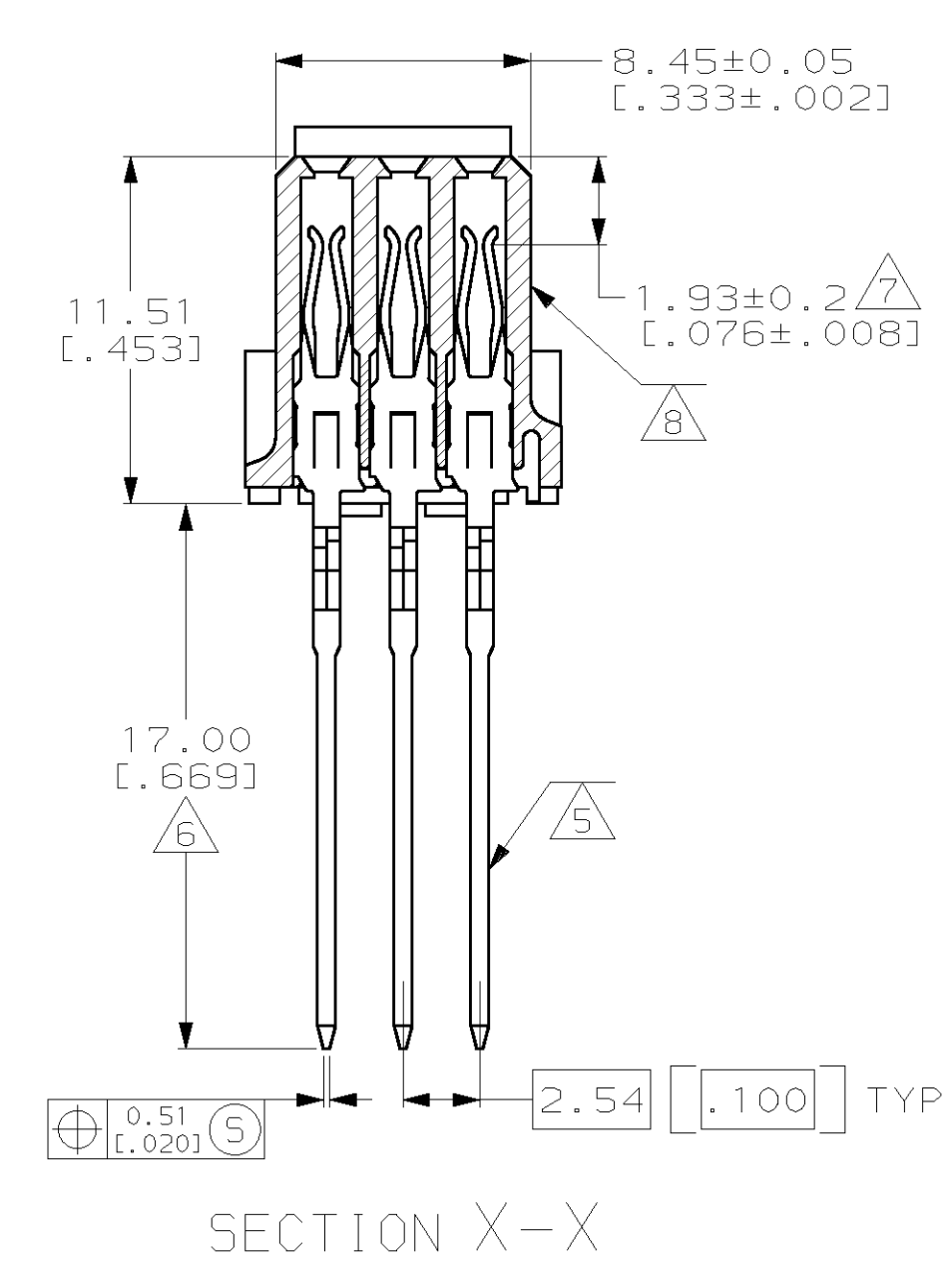
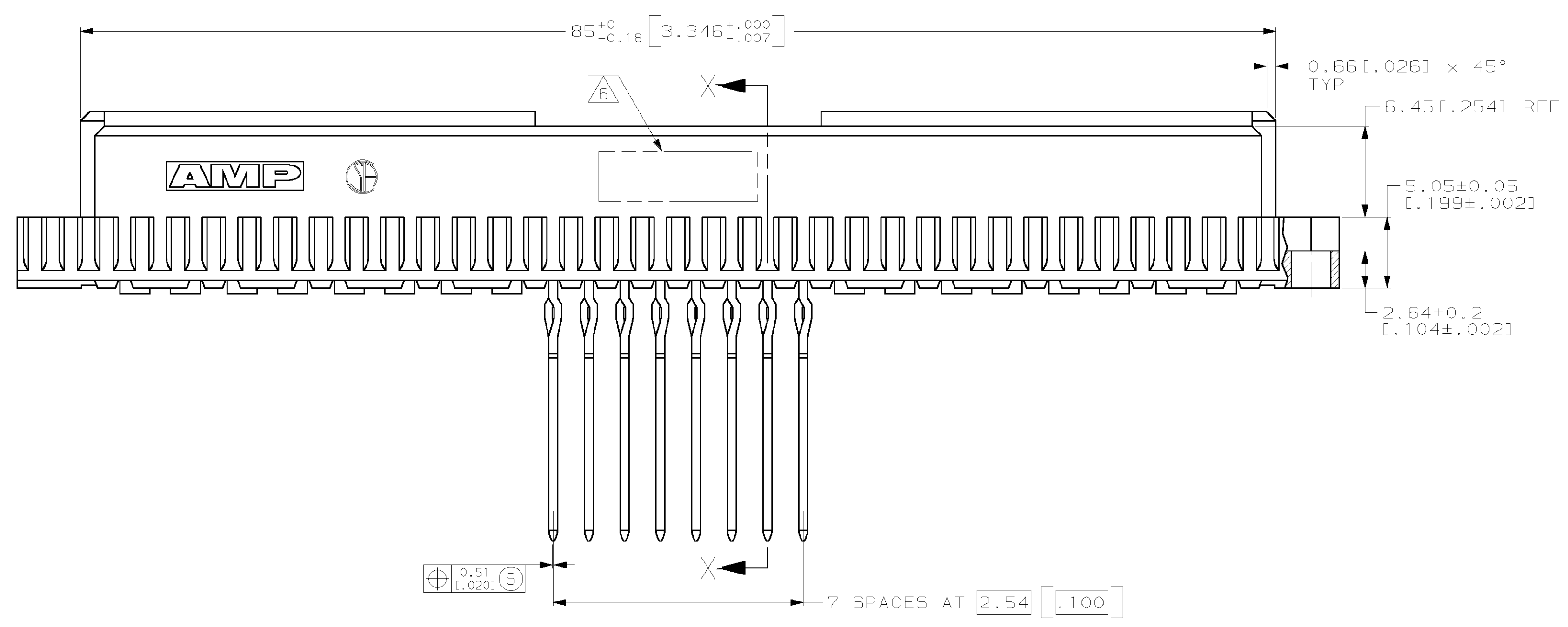
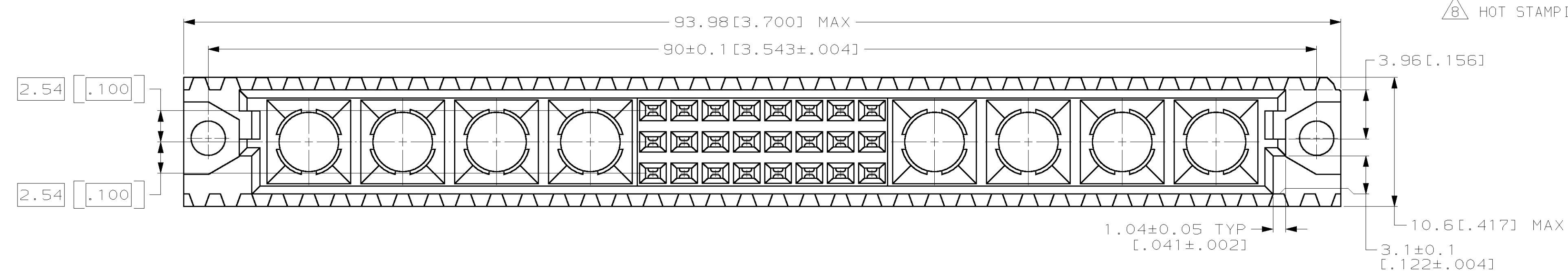


REV. NO.		REVISIONS			
NO.	DATE	DESCRIPTION	DATE	OWN	APPROV
0		DRAWN	-	-	-
A		REV PER EC 0621-80-99	06 APR 99	BC	CR

- ① HOUSING MATERIAL: GLASS-FILLED POLYESTER. COLOR: GRAY.
- ② CONTACT MATERIAL: PHOSPHOR BRONZE.
- ③ PART NUMBER AND DATE CODE HOT STAMPED IN THIS APPROXIMATE AREA.
- ④ ACTION PIN POSTS REQUIRE 1.57[.062] MINIMUM THICK PC BOARD. RECOMMENDED PC BOARD DRILLED HOLES ARE $\phi 1.151 \pm 0.025$ [.0453 \pm .0010] WITH 0.02-0.08[.001-.003] COPPER AND 0.008[.0003] MINIMUM TIN-LEAD PLATING. FINISHED HOLES AFTER PLATING $\phi 1.02 \pm 0.08$ [.040 \pm .002].
- ⑤ CONTACT FINISH: DIN 41612 CLASS 2 IN CONTACT AREA. TIN-LEAD PLATE ON POSTS.
- ⑥ TAIL LENGTH AFTER SEATED IN PC BOARD.
- ⑦ CONTACT POINT AFTER SEATED IN PC BOARD.
- ⑧ HOT STAMPING ON THIS SIDE.



148381-5
PART NUMBER

THIS DRAWING IS A CONTROLLED DOCUMENT.		DWN: L. BRINER 5/23/97	AMP Incorporated Harrisburg, PA 17105-3608
DIMENSIONS:		CHK: R. PATTERSON 5/23/97	
TOLERANCES UNLESS OTHERWISE SPECIFIED:		APPROV: R. PATTERSON 5/23/97	NAME: RECEPTACLE ASSEMBLY, EUROCARD, TYPE M, 24 + 8 POSITION
mm		PRODUCT SPEC	
0 PLC ±		APPLICATION SPEC	SIZE: A1 00779 C-148381
1 PLC ±		WEIGHT	
2 PLC ±0.13(.005)		CUSTOMER DRAWING	SCALE: 4:1 SHEET 1 OF 2 REV A
3 PLC ±			
4 PLC ±			
UNLESS OTHERWISE SPECIFIED			
MATERIAL: HOUSING: ① POST: ②			
FINISH: POST: ③			