

Type LPX-02 In-Line Fuse Holder Maxi Automotive Blade Fuses Splashproof Cap, Ignition Protected



www.optifuse.com

(619) 593-5050

Ratings:

Fuse Type: Maxi Automotive Blade - APXs, ANXs

Electrical Rating: 58VDC

Ambient/Operating Temperature: -40 °C to +85 °C

Body: PVC

Contacts: Brass with Tin Plated

Cap: Splashproof Cap

IP Rating: IP65

Ignition Protected

Standard Wire Sizes: #6 ~ #8 AWG

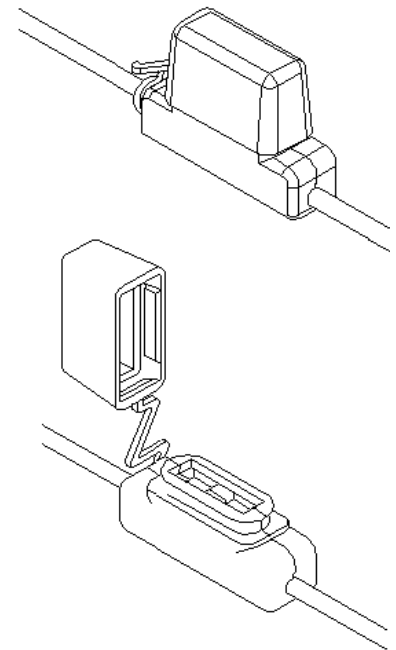
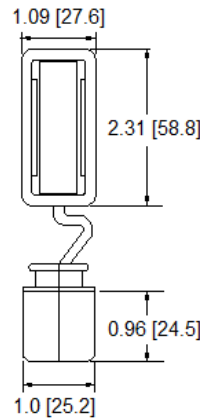
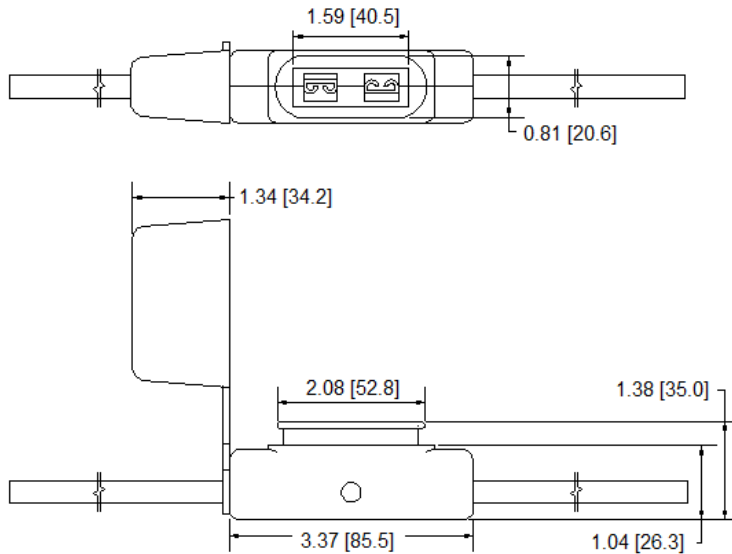
Standard Wire Colors: See table

Standard Body colors: Black

Standard Wire Length: 5 inches

Available in various wire gauges and lengths, and body and wire colors. Contact factory for those not listed above.

Mechanical Dimensions: Inches [mm]



Part number format

LPX-02B-##Z

where ## = Wire gauge

Z = Wire color (R or B)

| Standard Colors for Wire Gauges | | |
|---------------------------------|---------------------|--------------|
| AWG | Standard Wire Color | Max Amperage |
| #6 | Red | 80A |
| #8 | Black | 60A |

Warning:



- Operation beyond the specified maximum ratings or improper use may result in damage and possible electrical arcing and/or flame.
- Avoid contact of device with chemical solvent. Prolonged contact may damage the device performance.
- Not designed for prolonged liquid exposure or submersible applications.