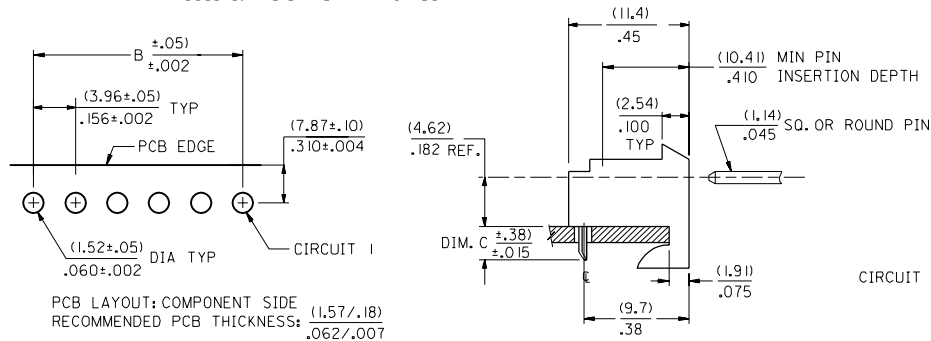
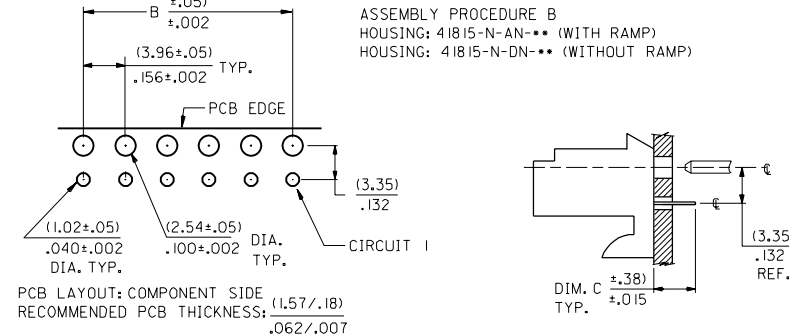


ASSEMBLY PROCEDURE A
HOUSING: 41815-N-AN-** (WITH RAMP)
HOUSING: 41815-N-DN-** (WITHOUT RAMP)



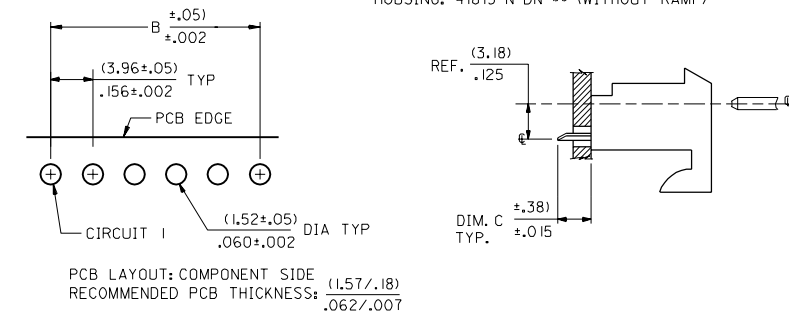
PCB LAYOUT: COMPONENT SIDE
RECOMMENDED PCB THICKNESS: (1.57/.18) .062/.007

ASSEMBLY PROCEDURE B
HOUSING: 41815-N-AN-** (WITH RAMP)
HOUSING: 41815-N-DN-** (WITHOUT RAMP)

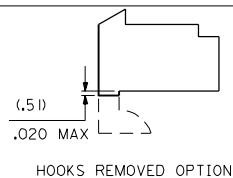


PCB LAYOUT: COMPONENT SIDE
RECOMMENDED PCB THICKNESS: (1.57/.18) .062/.007

ASSEMBLY PROCEDURE C
HOUSING: 41815-N-AN-** (WITH RAMP)
HOUSING: 41815-N-DN-** (WITHOUT RAMP)

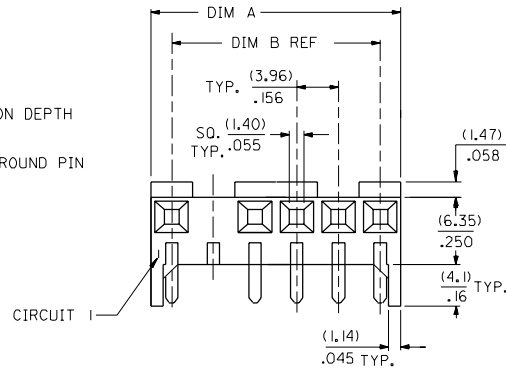


PCB LAYOUT: COMPONENT SIDE
RECOMMENDED PCB THICKNESS: (1.57/.18) .062/.007



HOOKS REMOVED OPTION

KINKED TERMINAL OPTION
SEE NOTE 5
(SEE ASSY PROC. C FOR PCB LAYOUT)



DIM. B	DIM. A	NO. OF CKTS
(3.96)	(7.82±.25)	2
.156	.308±.010	
(7.92)	(11.79±.25)	3
.312	.464±.010	
(11.89)	(15.75±.25)	4
.468	.620±.010	
(15.85)	(19.71±.25)	5
.624	.776±.010	
(19.81)	(23.67±.25)	6
.780	.932±.010	
(23.77)	(27.64±.30)	7
.936	1.088±.012	
(27.74)	(31.60±.25)	8
1.092	1.244±.012	
(31.70)	(35.56±.30)	9
1.248	1.400±.012	
(35.66)	(39.52±.30)	10
1.404	1.556±.012	
(39.62)	(43.48±.30)	11
1.560	1.712±.012	
(43.59)	(47.45±.30)	12
1.716	1.868±.012	
(47.55)	(51.41±.30)	13
1.872	2.024±.012	
(51.51)	(55.37±.36)	14
2.028	2.180±.014	
(55.47)	(59.33±.36)	15
2.184	2.336±.014	

NOTES:

2. SOLDERABILITY: WHEN PARTS ARE SOLDERED AT A TEMPERATURE OF 230°C OR 446°F FOR 5 SECONDS EACH SOLDERED SURFACE SHALL BE A MINIMUM OF 95% COVERED WITH A SMOOTH CONTINUOUS ADHERENT COATING. FOR ADDITIONAL INFORMATION SEE ES-152.
3. MATERIAL: HOUSING: POLYESTER, 94V-0 COLOR NATURAL (WHITE)
5. SEE SMES-42329-*** FOR KINK PIN INFORMATION.
6. PRODUCT SPECIFICATION: PS-08-50
7. PARTS ARE STACKABLE END TO END ON (3.96)/.156 @
8. FOR TOP ENTRY AND RIGHT ANGLE ASSEMBLIES WITH LOWER INSERTION FORCE USE SINGLE BEAM CONTACT. (TERMINAL NO. 4244)

REL 0551 UCR2000-0200		DIMENSIONS SHOWN METRIC () INCH UNLESS OTHERWISE SPECIFIED TOLERANCES: ANGULAR 1°		▽ = 0 ▼ = 0 REVISE ONLY ON CAD SYSTEM	
AH1	9-13-99 SAMIEC	INCH METRIC		TITLE (3.96)/.156@ PC BOARD CONNECTOR ASSEMBLY 41815 SERIES DWG.	
AH	RENO. FOR SAP UCR 1999-0602 99-12-15 SAMIEC	3 PLACE ±	±	MOLEX INCORPORATED SHEET NO. DATE 1 OF 7 01/28/87	
AG1	REL -NC102-0028 UCR 1998-0103 98-3-24 SAMIEC	2 PLACE ±	±	MFG. SHL. REV.	
DRAWING: SAMIEC		DRAWN: PATEL		PART NO. DRWG. NO. SEE CHARTS SDA-41815	
APP'D: LENZ		SCALE: :		FILE NAME: 541815X1 THIS DRAWING CONTAINS INFORMATION THAT IS PROPRIETARY TO MOLEX INC. AND SHOULD NOT BE USED WITHOUT WRITTEN PERMISSION.	
LTR.	REVISIONS	LTR.	REVISIONS	DIV.	SIZE
				C	C

41815

7	AH1
6	AH
5	AH
4	AH
3	AH
2	AH
1	AH1

