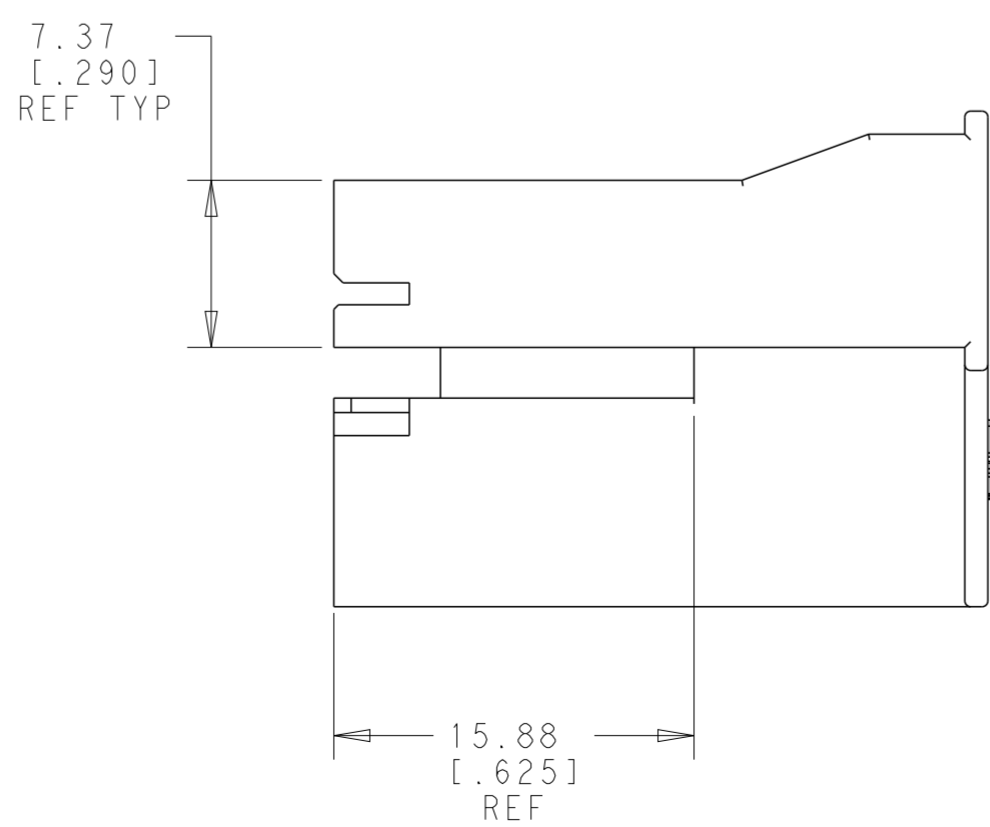
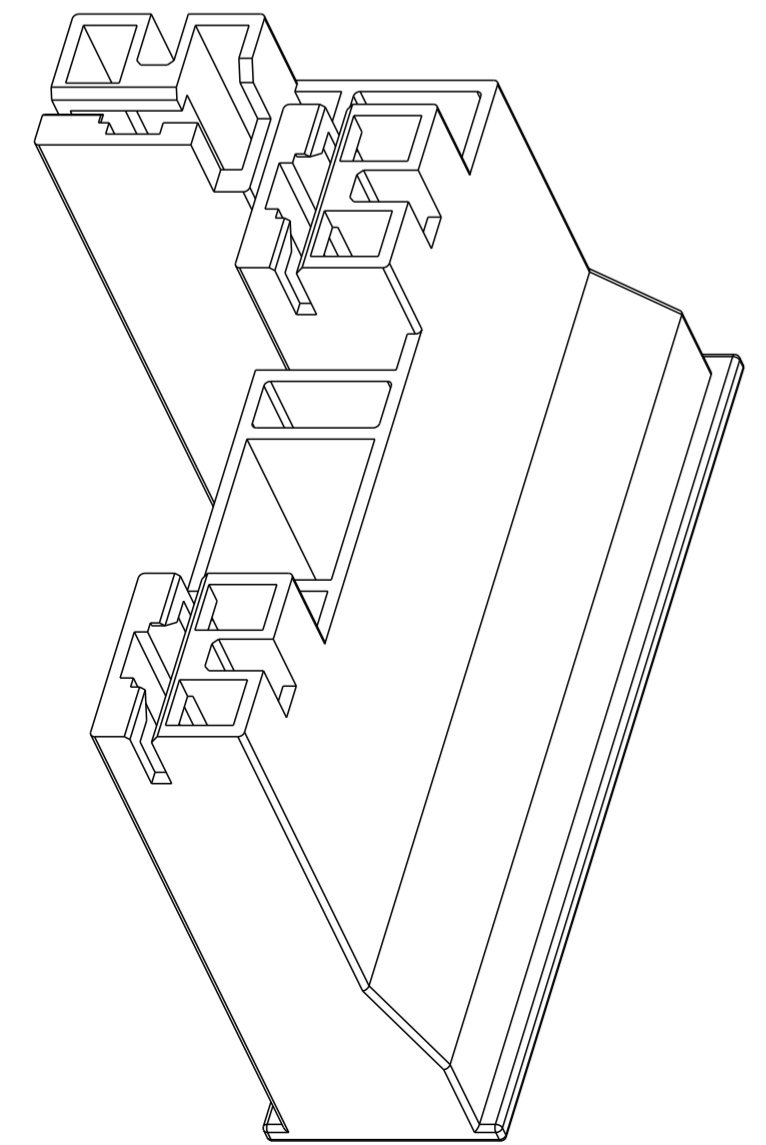
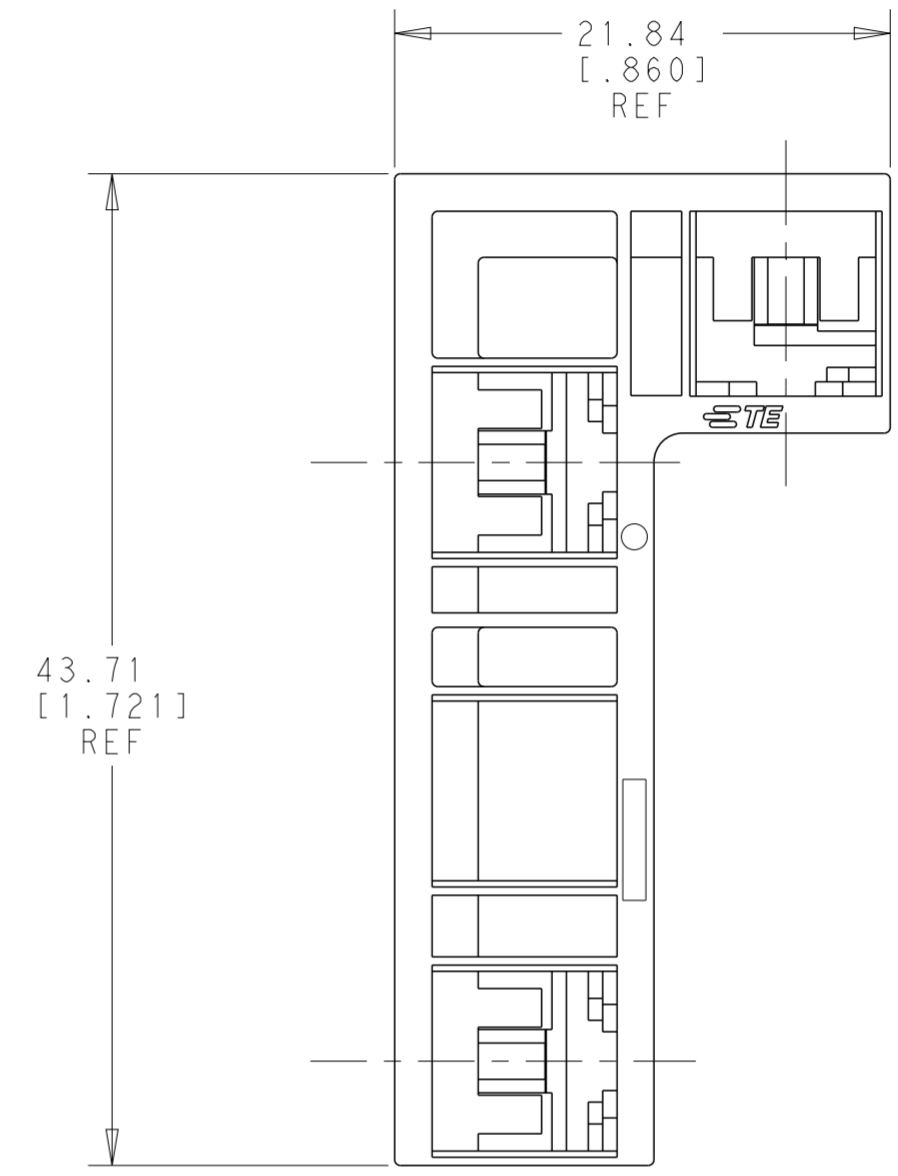
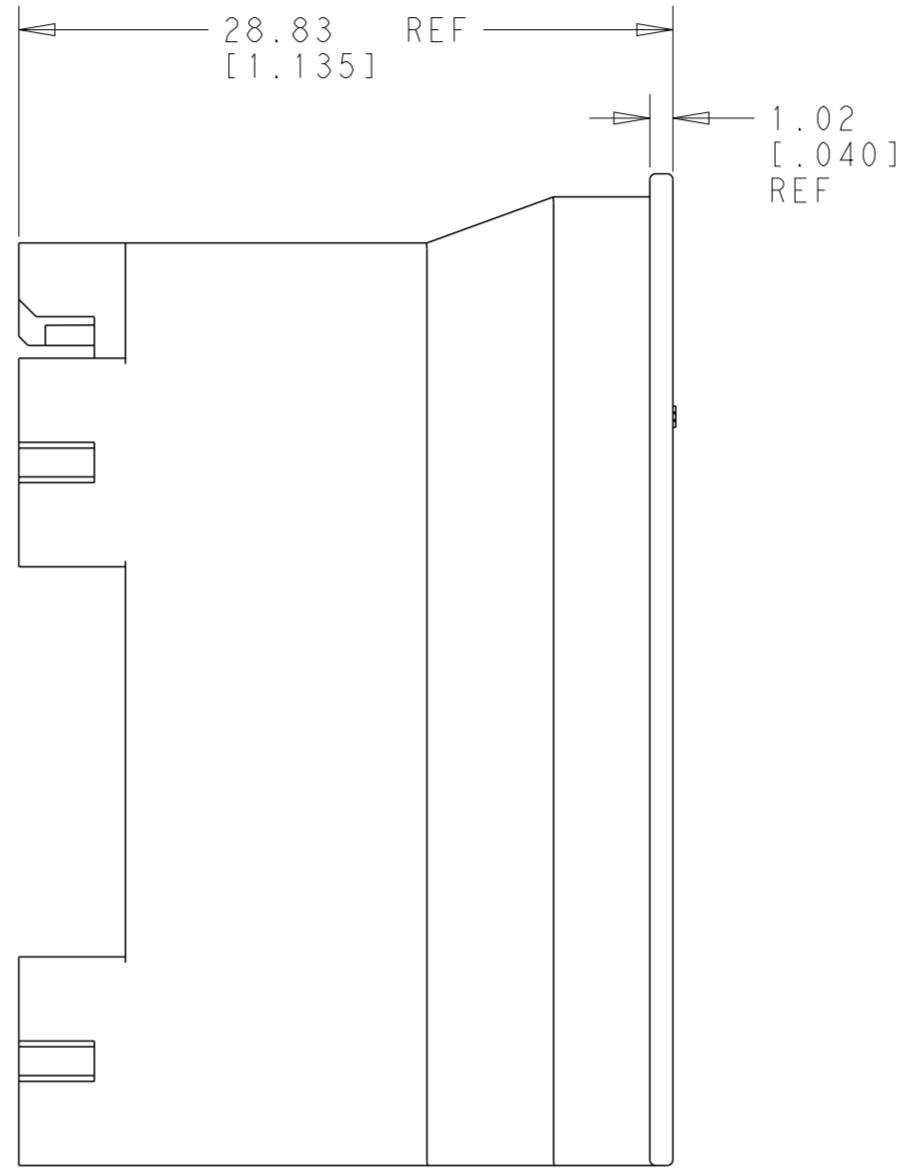
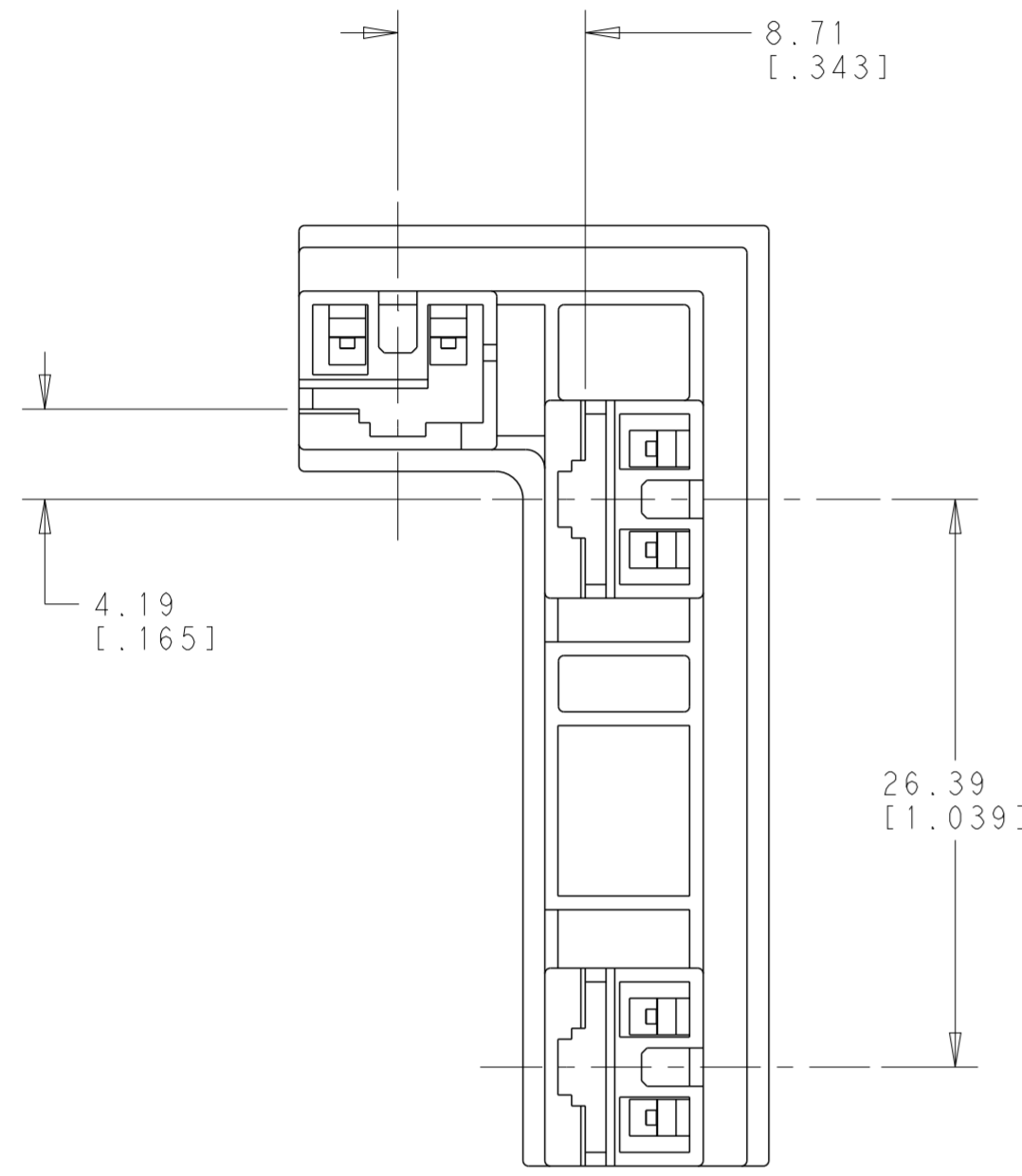


THIS DRAWING IS UNPUBLISHED. RELEASED FOR PUBLICATION 20
 © COPYRIGHT 20 BY - ALL RIGHTS RESERVED.

REVISIONS				
P	LTR	DESCRIPTION	DATE	APVD
	A	REVISED PER ECR-16-014077	06OCT2016	BW RS

1 THIS HOUSING ACCEPTS BOTH FASTON AND POSI-LOCK MKII TERMINALS.



NATURAL	NYLON V0	1969760-1
COLOR	MATERIAL	PART NO

THIS DRAWING IS A CONTROLLED DOCUMENT.		DWN NAGALAKSHMI, K	23 JUN 2015	 TE Connectivity													
DIMENSIONS: mm [INCHES]		CHK DIDONATO, MICHAEL	23 JUN 2015														
TOLERANCES UNLESS OTHERWISE SPECIFIED:		APVD DIDONATO, MICHAEL	23 JUN 2015														
<table border="1"> <tr><td>0 PLC</td><td>±</td></tr> <tr><td>1 PLC</td><td>±</td></tr> <tr><td>2 PLC</td><td>±</td></tr> <tr><td>3 PLC</td><td>±0.25 [.010]</td></tr> <tr><td>4 PLC</td><td>±</td></tr> <tr><td>ANGLES</td><td>±</td></tr> <tr><td>FINISH</td><td>-</td></tr> </table>		0 PLC	±		1 PLC	±	2 PLC	±	3 PLC	±0.25 [.010]	4 PLC	±	ANGLES	±	FINISH	-	PRODUCT SPEC
0 PLC	±																
1 PLC	±																
2 PLC	±																
3 PLC	±0.25 [.010]																
4 PLC	±																
ANGLES	±																
FINISH	-																
MATERIAL NYLON V0	-	APPLICATION SPEC	-	NAME 3P POSI-LOCK, MARK II													
CUSTOMER DRAWING		WEIGHT	-	SIZE A200779													
SCALE 3:1		SHEET 1 OF 1		RESTRICTED TO -													
DRAWING NO C-1969760		REV A															