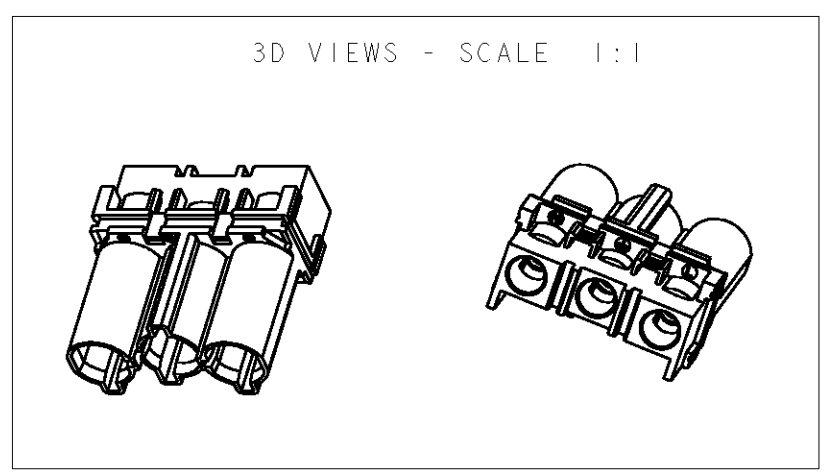
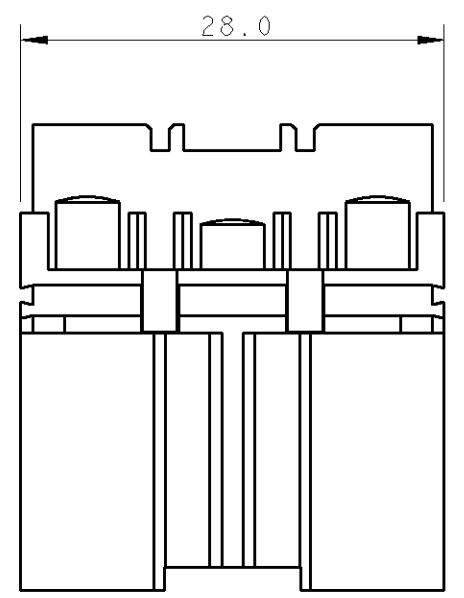
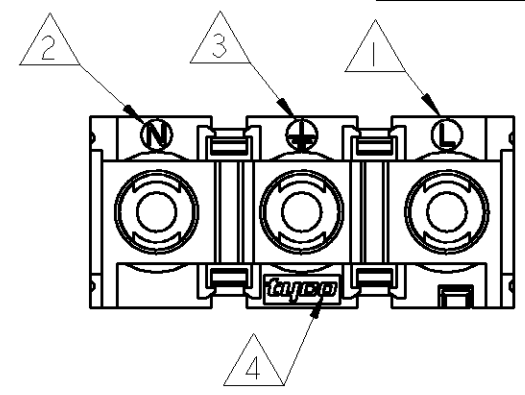
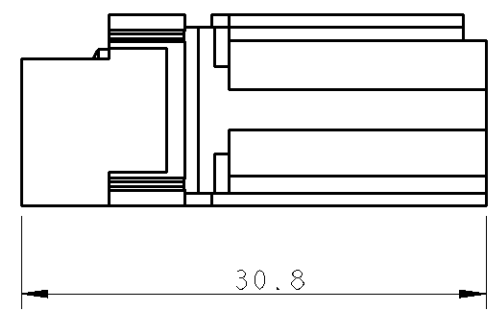
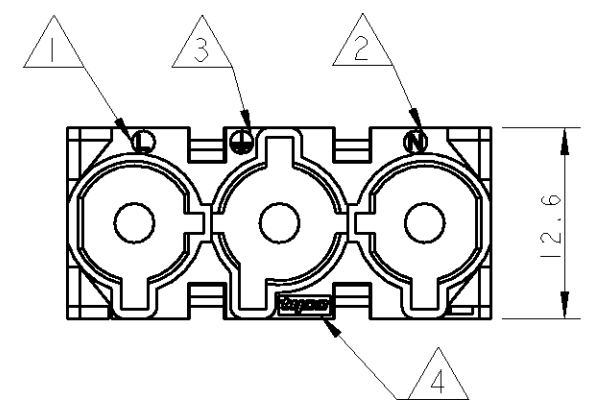


THIS DRAWING IS UNPUBLISHED. RELEASED FOR PUBLICATION 2006
 © COPYRIGHT 2006 BY TYCO ELECTRONICS CORPORATION. ALL RIGHTS RESERVED.

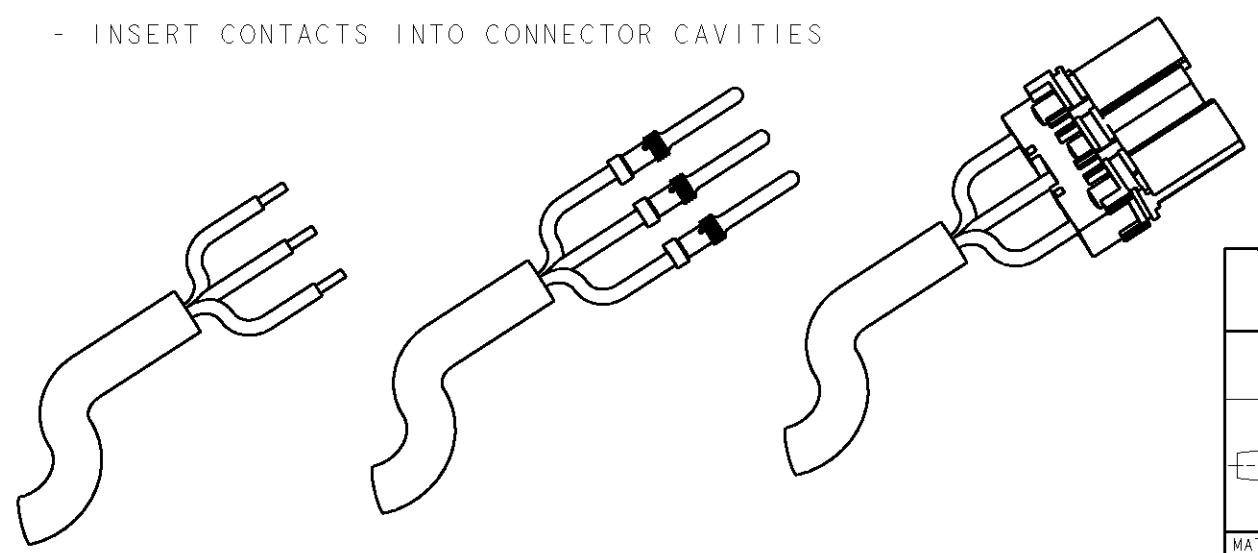
LOC	DIST	REVISIONS					
		P	LTR	DESCRIPTION	DATE	DWN	APVD
1	-		0	FIRST ISSUE	27APR2006	UA	GT



NOTES:

- 1 LINE SYMBOL
- 2 NEUTRAL SYMBOL
- 3 PE SYMBOL
- 4 TYCO TRADEMARK
- 5) PACKAGING ACCORDING TO TYCO SPEC. 107-20252
- 6) FOR FREE-HANGING VERSION (SEE SHEET 2 OF 2) TYCO NECTOR* HERMAPH. SHELL P/N 293054 MUST BE USED
- 7) FOR PANEL MOUNT VERSION (SEE SHEET 2 OF 2) TYCO NECTOR* PANEL MOUNT FRAME P/N 293053 MUST BE USED
- 8) FOR INSTALLATIONS ACCORDING TO VDE 0606-200 LOCKING DEVICES P/N 293129 (FREE-HANGING VERSION) OR P/N 293130 (PANEL MOUNT VERSION) MUST BE USED

- INSULATION DIA < 9.0 mm:
REMOVE INSULATION JACKET FOR A LENGTH OF 20 ± 1 mm
- INSULATION DIA ≥ 9.0 mm:
REMOVE INSULATION JACKET FOR A LENGTH OF 30 ± 1 mm
- STRIP WIRES FOR A LENGTH OF 5 mm
- CRIMP CONTACTS - SEE APPLICATION SPEC. 114-74003
P/N 4-1105100-3 FOR 2.5 sqmm WIRE
P/N 3-1105100-3 FOR 1.5 sqmm WIRE
- INSERT CONTACTS INTO CONNECTOR CAVITIES



293051-2	WHITE	A
293051-1	BLACK	A
TYCO P/N	COLOUR	REV.

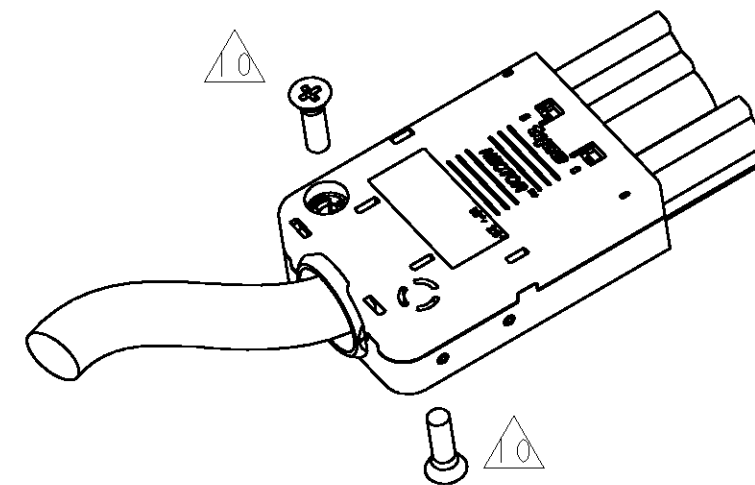
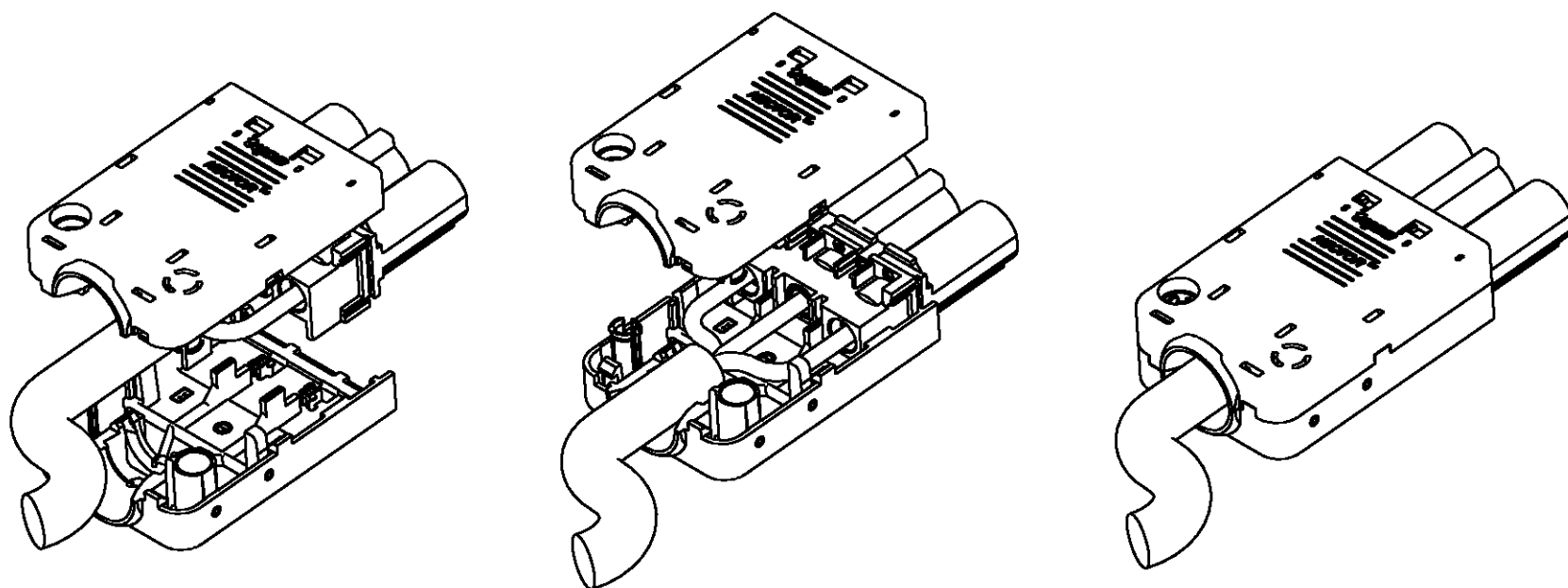
DIMENSIONS:		TOLERANCES UNLESS OTHERWISE SPECIFIED:		DWN		APVD		NAME	
mm		0 PLC	±-	U. AIME	27APR2006	G. TURCO		TYCO NECTOR* 3 POS. RECPT. HOUSING FOR C.O.S.I. CONTACTS	
		1 PLC	±0.3	U. AIME	27APR2006	G. TURCO		-	
		2 PLC	±-	PRODUCT SPEC		-		-	
		3 PLC	±-	APPLICATION SPEC		-		-	
		4 PLC	±-	WEIGHT		-		-	
		ANGLES	±1	CUSTOMER DRAWING		-		-	
MATERIAL		FINISH		SCALE		SHEET		REV	
-		-		2:1		1 OF 2		0	

tyco AMP Italia S.p.A.
Electronics C.so F.lli Cervi 15 Collegno (TO)

SIZE	CAGE CODE	DRAWING NO	RESTRICTED TO
A3	00779	C=293051	-

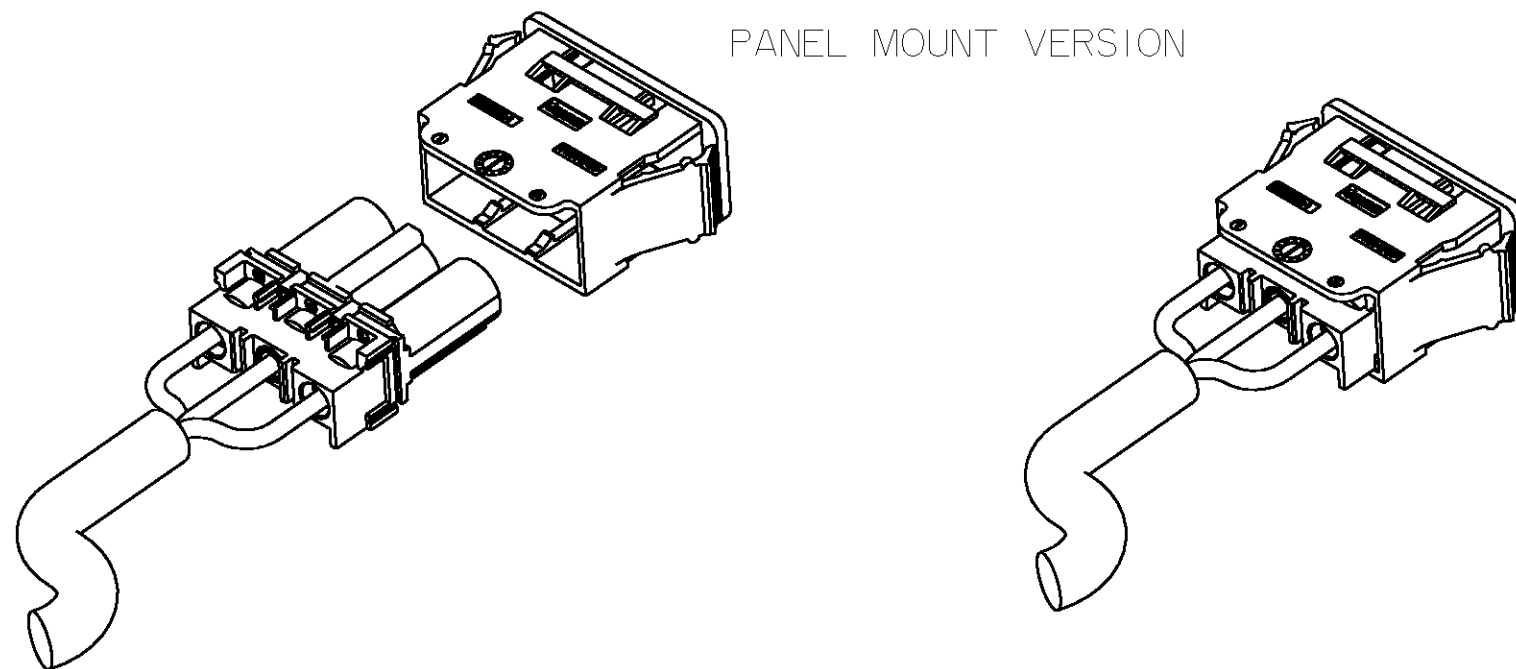
LOC	DIST	REVISIONS					
		P	LTR	DESCRIPTION	DATE	DWN	APVD
1	-						

FREE HANGING VERSION
1.5 / 2.5 sqmm WIRE SIZE ONLY



OPTIONAL SCREWS M3 x 12 - NOT INCLUDED
(SCREWS ACCORDING TO: "UNI 9709" OR
"UNI 9707" OR "UNI 10228" OR "UNI 10227")

PANEL MOUNT VERSION



THIS DRAWING IS A CONTROLLED DOCUMENT FOR TYCO ELECTRONICS CORPORATION
IT IS SUBJECT TO CHANGE AND THE CONTROLLING ENGINEERING ORGANIZATION
SHOULD BE CONTACTED FOR THE LATEST REVISION.

DIMENSIONS: mm		TOLERANCES UNLESS OTHERWISE SPECIFIED:	
		0 PLC	±-
		1 PLC	±0.3
		2 PLC	±-
		3 PLC	±-
		4 PLC	±-
MATERIAL -		ANGLES	±1
		FINISH	-

DWN	U.A.I.M.E.	27APR2006
CHK	U.A.I.M.E.	27APR2006
APVD	G.TURCO	27APR2006
PRODUCT SPEC	-	
APPLICATION SPEC	-	
WEIGHT	-	
CUSTOMER DRAWING		

tyco Electronics		AMP Italia S.p.A. C.so F.lli Cervi 15 Collegno (TO)	
NAME TYCO NECTOR* 3 POS. RECPT HOUSING FOR C.O.S.I. CONTACTS			
SIZE	CAGE CODE	DRAWING NO	RESTRICTED TO
A3	00779	C=293051	-
SCALE 2:1		SHEET 2 OF 2	REV 0