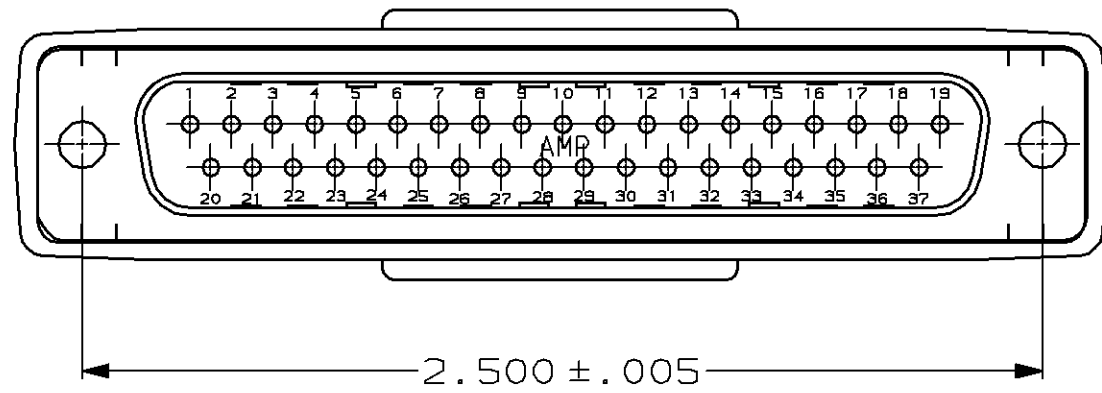
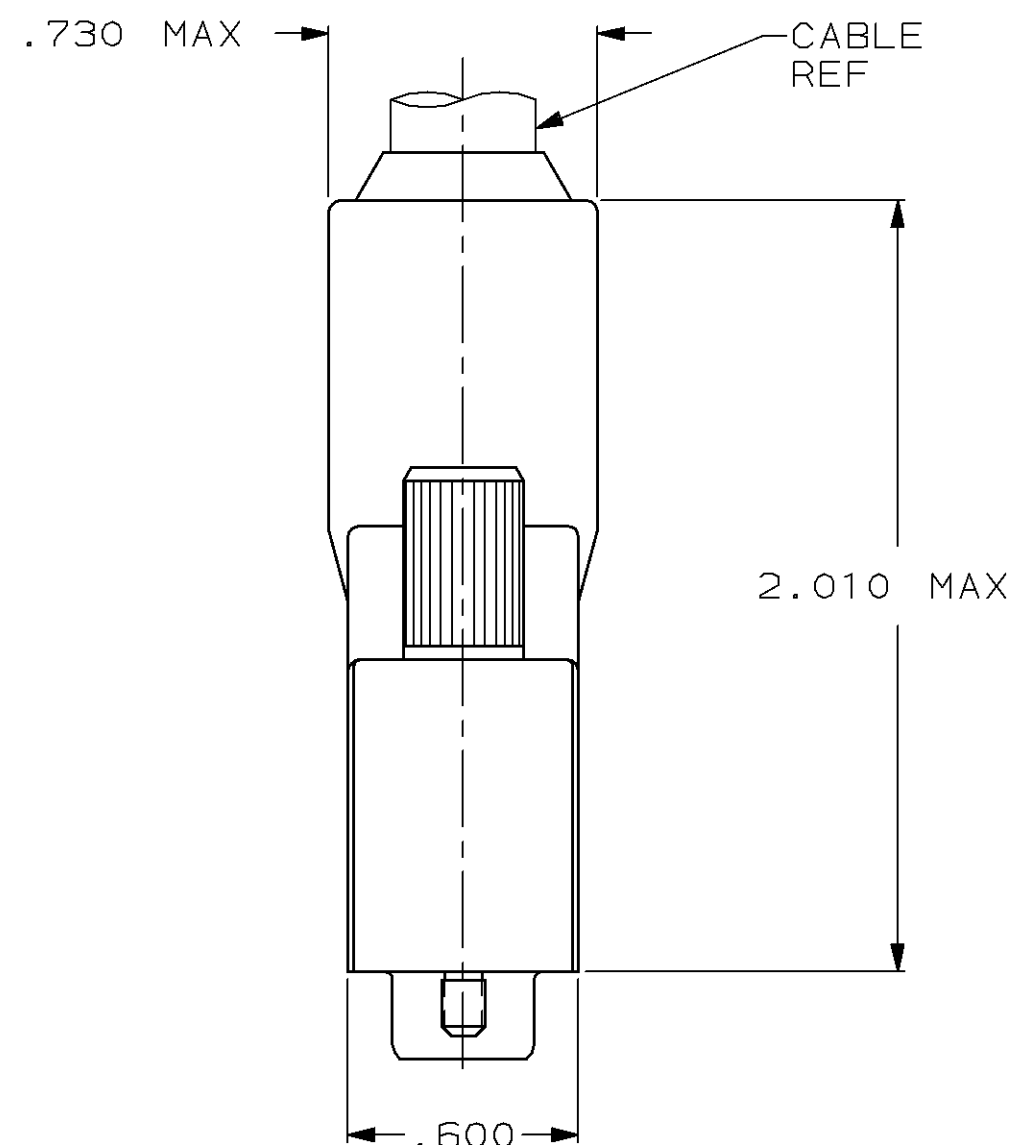
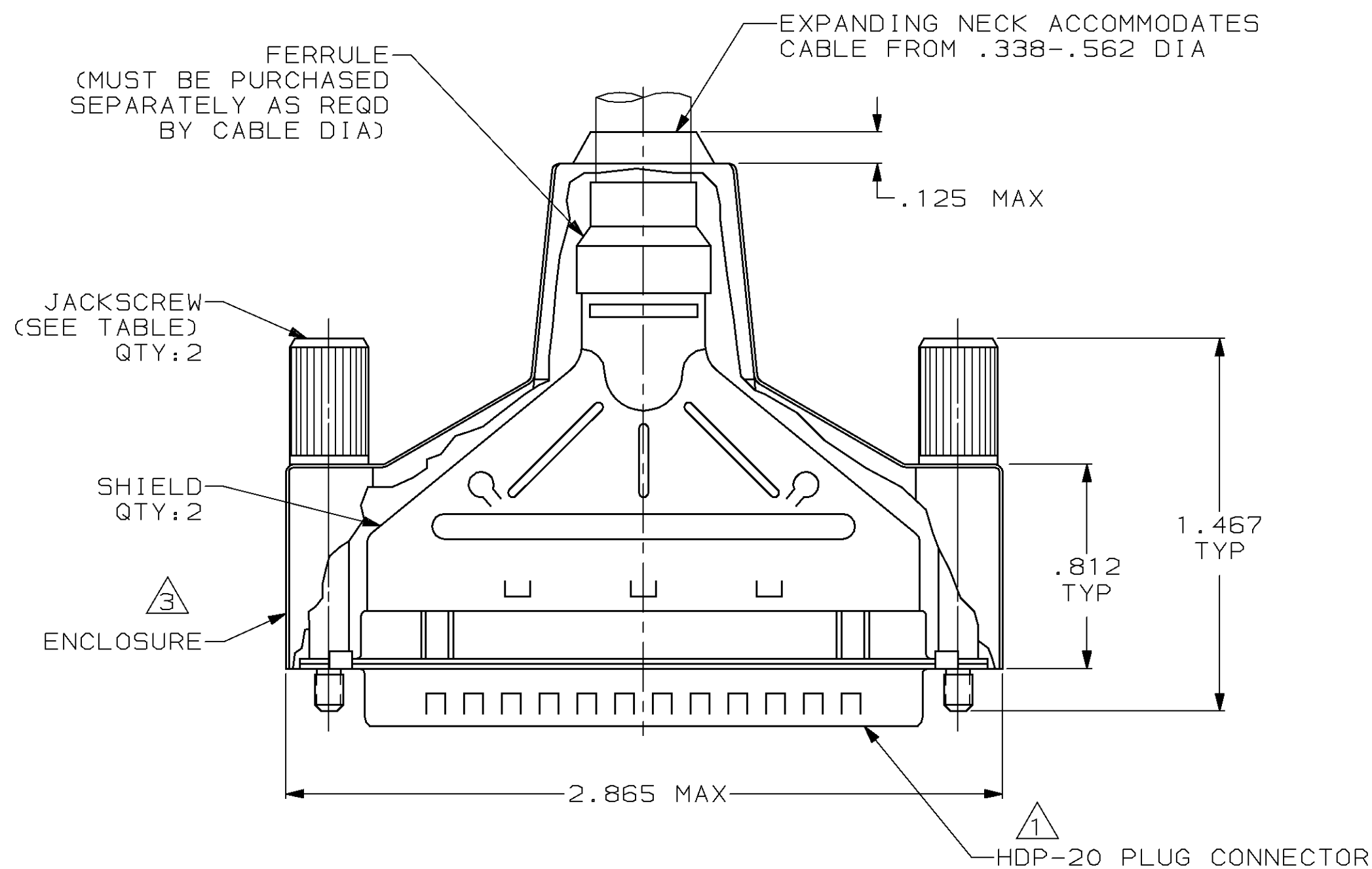


LOC	DIST	P	F	ZONE	LTR	REVISIONS	DATE	APPD
BD	48				H	REVISED PER ECN BD6133	04/02/92	TMS
					J	ADDED -4 PER EC 0020-62-96	31 JAN 96	CS



- ① PLUG ACCEPTS SIZE 20 DF PIN CONTACTS. CONTACTS MUST BE PURCHASED SEPARATELY.
- 2. ALL PARTS SHIPPED UNASSEMBLED.
- ③ FLAME RETARDANT 94V-0 RATED, STYRENE POLYOLEFIN OR PVC, BLACK.
- ④ FLAME RETARDANT 94V-0 RATED GLASS FILLED, NYLON OR POLYESTER, BLACK.
- ⑤ STEEL PER ASTM A109.
- ⑥ TIN PLATING PER MIL-T-10727.
- ⑦ ZINC PLATING PER ASTM B633, TYPE II, CLASS SCI, BLACK CHROMATE.
- ⑧ COMPONENTS INDIVIDUALLY BULK PACKED.
- ⑨ INDIVIDUAL KIT PACKAGING OF COMPONENTS.

OBSOLETE OBSOLETE	⑧	M3	W/LOGO	747958-4
	⑨	-	W/LOGO	747958-3
	⑧	-	W/OUT LOGO	747958-2
	⑧	4-40	W/LOGO	747958-1
PACKAGING	JACKSCREW THREADS	REMARKS	PART NUMBER	

DO NOT SCALE PRINT. UNLESS SPECIFIED DIMENSIONS IN INCHES TOLERANCES ON : 2 PLC DEC ± - 3 PLC DEC ± .020 ANGLES ± -	DR 6-5-90 J GALLUCCI BG CHK 8-31-90 J.McCLINTON APPD 9-4-90 BOB TAYLOR APPD 9-4-90 J.ASSINI PRODUCT SPEC -	AMP INCORPORATED Harrisburg, Pa. 17105	
MATERIAL INSERT: ④ SHELLS & SHIELDS: ⑤ JACKSCREWS: ZINC ALLOY	FINISH SHELLS & SHIELDS: ⑥ JACKSCREWS: ⑦	NAME BULK KIT, PLUG, AMPLIMITE™, SHIELDING ENCLOSURE, 37 POSN, SIZE 4, HDP-20	
APPLICATION SPEC -	WEIGHT -	SIZE C	FSCM NO 00779
		SCALE 2:1	DRAWING NO 747958
			SHEET 1 OF 1