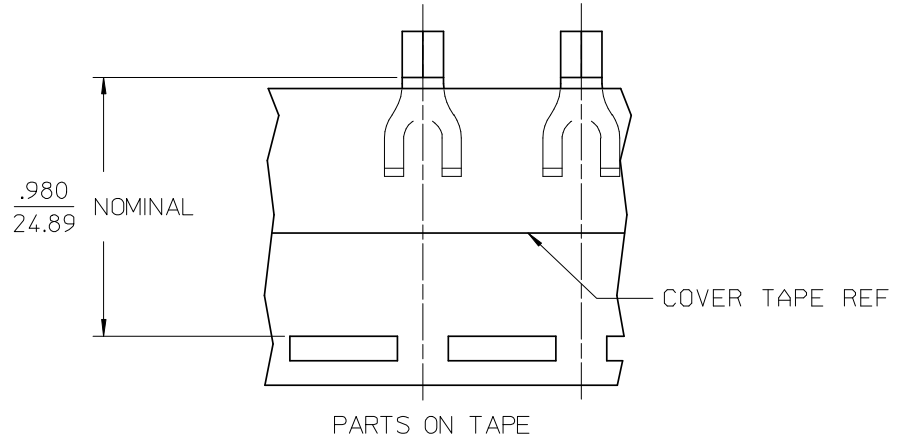
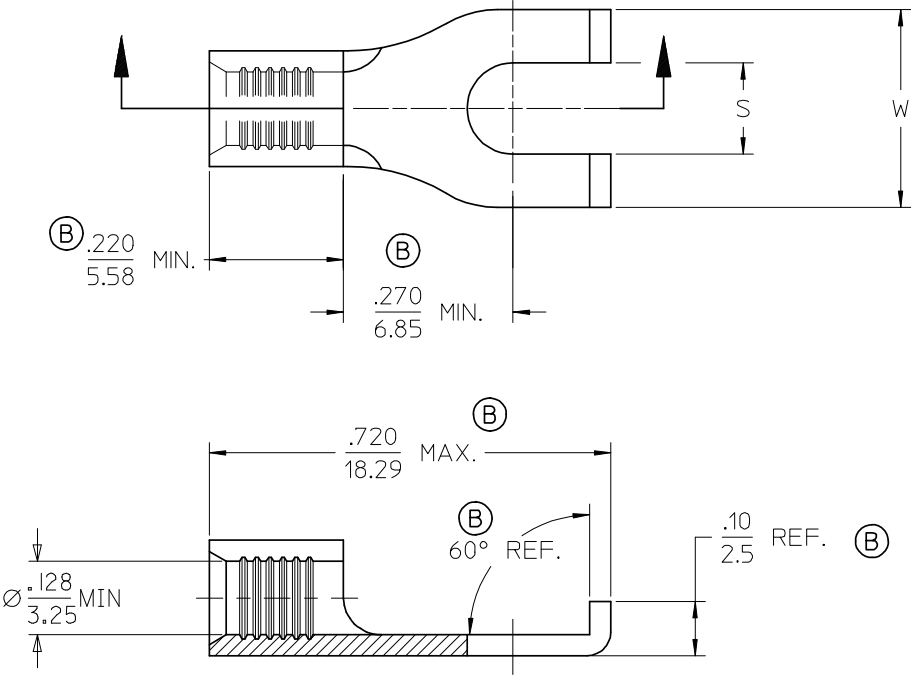


| LOOSE PIECE | | TAPE MOUNTED | | | | |
|-----------------|--------------------|-----------------|--------------------|-----------|--------------|---------------|
| MATERIAL NUMBER | ENGINEERING NUMBER | MATERIAL NUMBER | ENGINEERING NUMBER | STUD SIZE | S ±.005 | W MAX |
| 191180084 | C-117-06 | 191180130 | C-117-06T | 6 | .146/3.71 | .345/8.76 (B) |
| 191180086 | C-117-08 | 191180087 | C-117-08T | 8 | .173/4.39 | .385/9.78 |
| 191180088 | C-117-10 | 191180090 | C-1167-10T | 10 | .209/5.3 (B) | .385/9.78 |



SALES DRAWING

- NOTES:
1. MATERIAL: COPPER .040/1.02 THICK
 2. PLATING: ELECTRO-TIN
 3. PART IS RoHS COMPLIANT

| | | | | | | | | |
|---|-------------------------------|---------------------------------------|------------|---|------------|--|------------------------|--|
| ADD NOTE 3. REV. DIMS EC NO: ETC2008-0012 DRWN: RSTONE 2007/11/26 CHKD: JMACNEIL 2007/11/26 APPR: JMACNEIL 2007/12/05 | QUALITY SYMBOLS ▽=0 ∇=0 | GENERAL TOLERANCES (UNLESS SPECIFIED) | | DIMENSION STYLE | SCALE | DESIGN UNITS | THIRD ANGLE PROJECTION | |
| | | | | IN/MM | 4:1 | INCH | | |
| | | 4 PLACES ±--- | ±--- | DRAWN BY | DATE | TITLE | | |
| | | 3 PLACES ±--- | ±.005 | BENDERLE | 2005/02/07 | FLANGED SPADE TERMINAL, KRIMPTITE, 12-10 AWG | | |
| 2 PLACES ±0.13 | ±.01 | CHECKED BY | DATE | MATERIAL NO. | | | SHEET NO. | |
| 1 PLACE ±0.25 | ±--- | R DEROSS | 2005/02/07 | SD-19118-002 | | | 1 OF 1 | |
| ANGULAR ± 5 ° | | APPROVED BY | DATE | THIS DRAWING CONTAINS INFORMATION THAT IS PROPRIETARY TO MOLEX INCORPORATED AND SHOULD NOT BE USED WITHOUT WRITTEN PERMISSION | | | | |
| DRAFT WHERE APPLICABLE MUST REMAIN WITHIN DIMENSIONS | | R DEROSS | 2005/02/07 | | | | | |