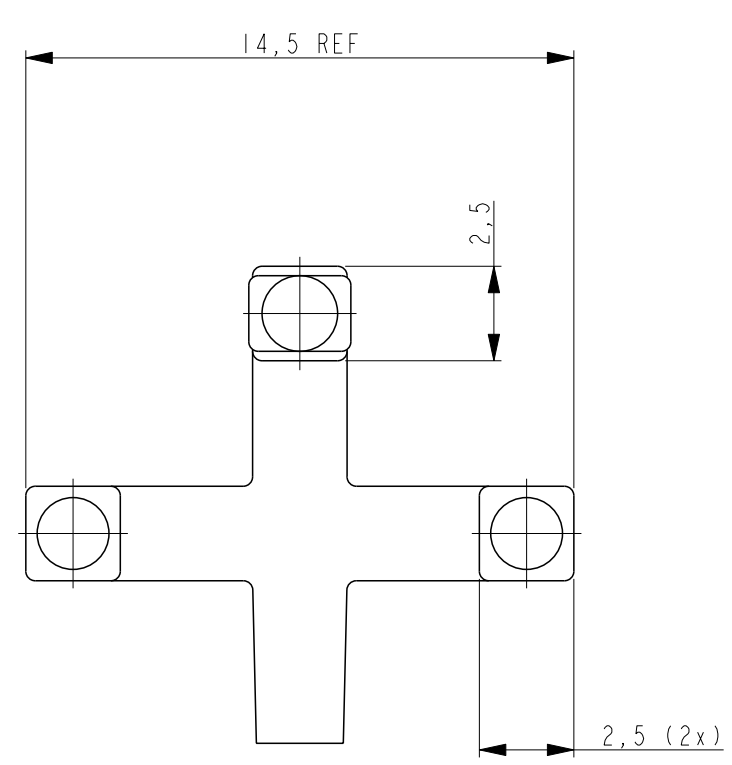
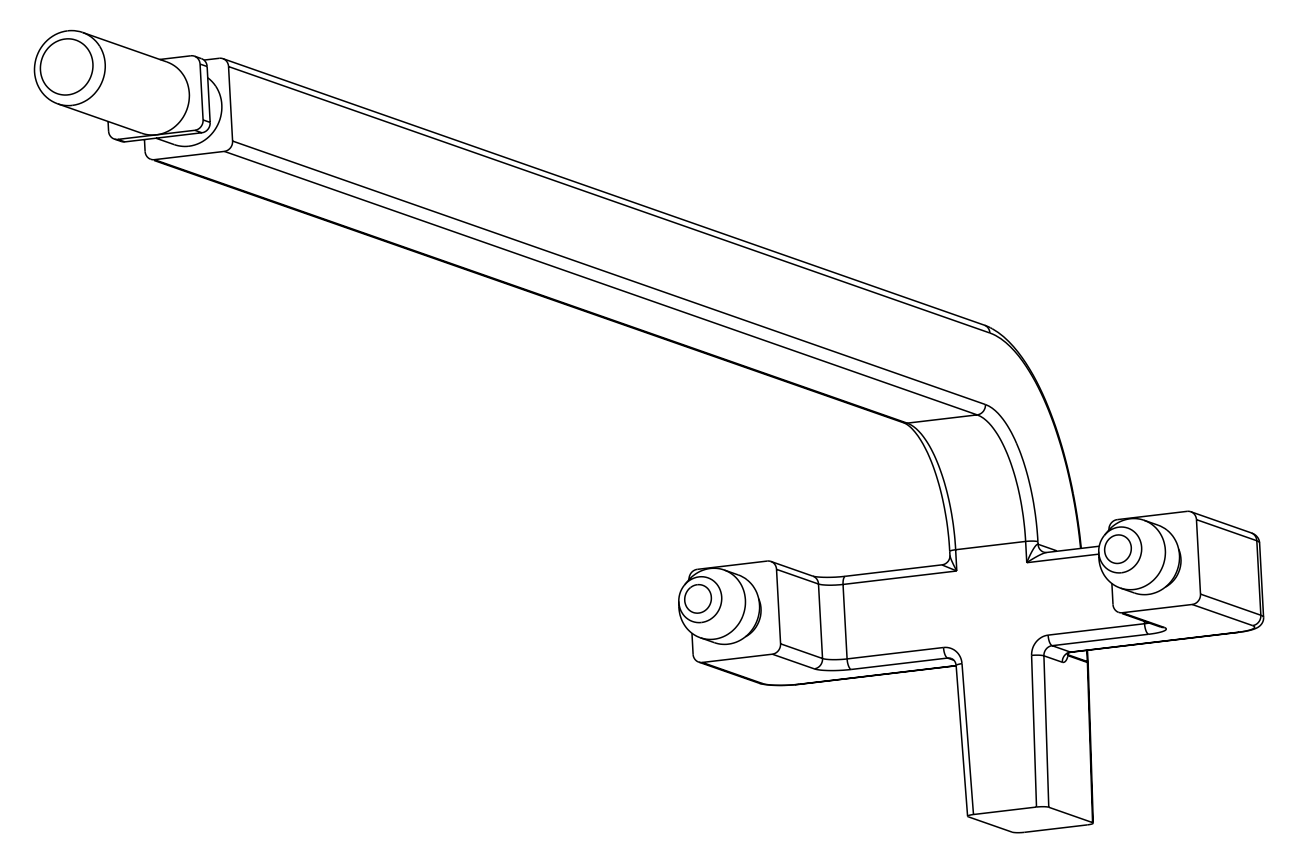


LOC	DIST	REVISIONS			
P	LTB	DESCRIPTION	DATE	DWN	APVD
I		INITIAL DRAWING	08MAR2012	JvdH	TdB



NOTE:
 MATERIAL: POLYCARBONATE, CLEAR



**PRELIMINARY PART
 NOT RELEASED FOR PRODUCTION**
**THIS PRODUCT HAS NOT COMPLETED
 VALIDATION TESTING**

2173481-1
 PART
 NUMBER

THIS DRAWING IS A CONTROLLED DOCUMENT.		DWN: J.V.D.HELJEDEN 07 MAR 2012	TE Connectivity
DIMENSIONS: mm		CHK: B.MOOIJ 07 MAR 2012	
TOLERANCES UNLESS OTHERWISE SPECIFIED:		APVD: T.D.ROER 08 MAR 2012	NAME: LIGHTPIPE, SINGLE, BEHIND BEZEL, ZOSFP+
0 PLC ±0.5 1 PLC ±0.25 2 PLC ±0.1 3 PLC ± 4 PLC ± ANGLES ± FINISH -		PRODUCT SPEC	
MATERIAL: -		APPLICATION SPEC	RESTRICTED TO
-		114-32021	SIZE: A1
-		WEIGHT: -	CAGE CODE: 00779
-		CUSTOMER DRAWING	DRAWING NO: C=2173481
-			SCALE: 8:1
-			SHEET: 1 OF 1
-			REV: 1