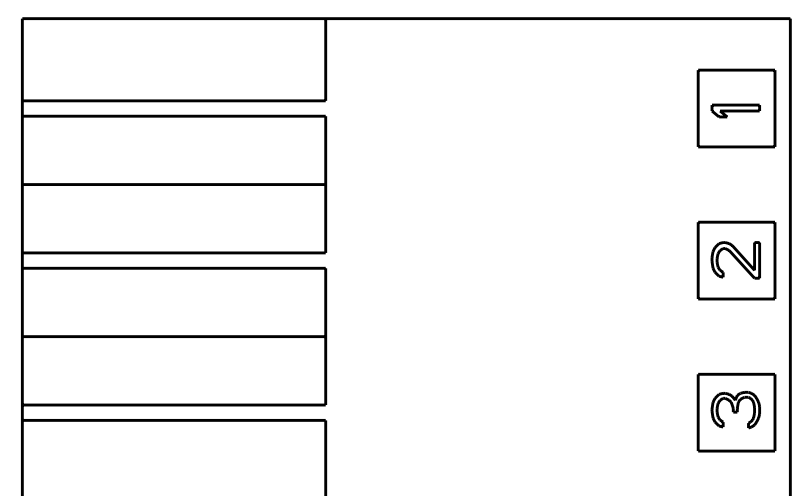
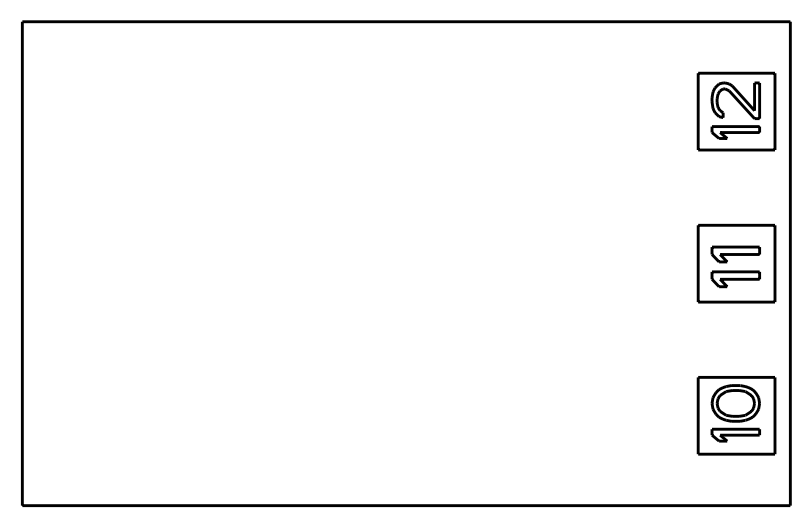
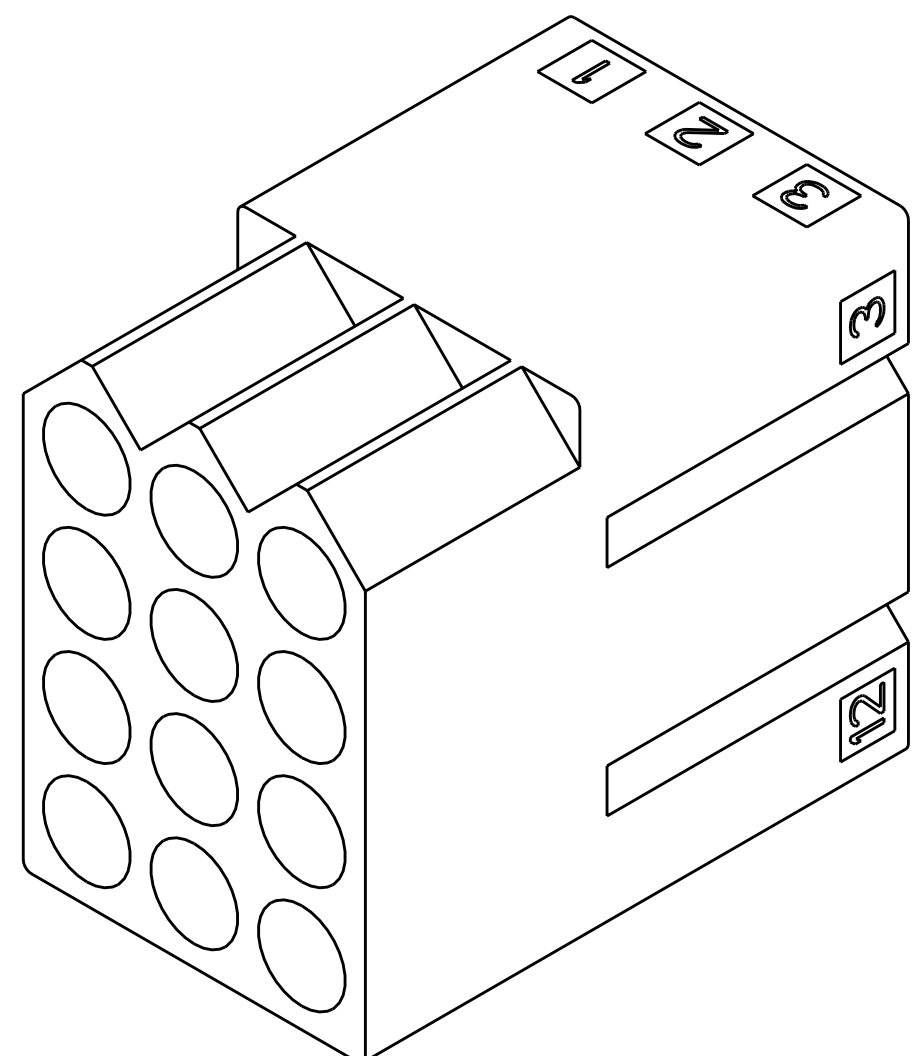
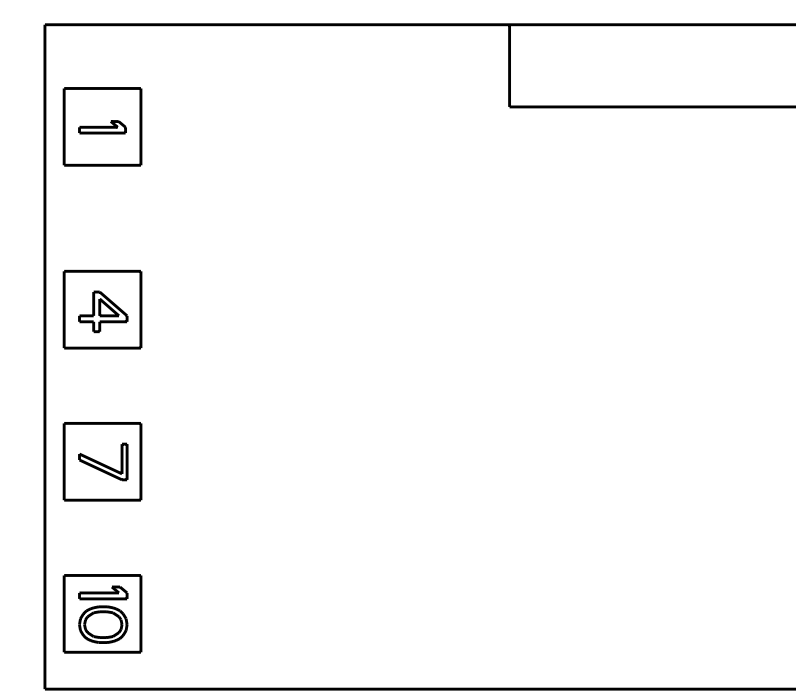
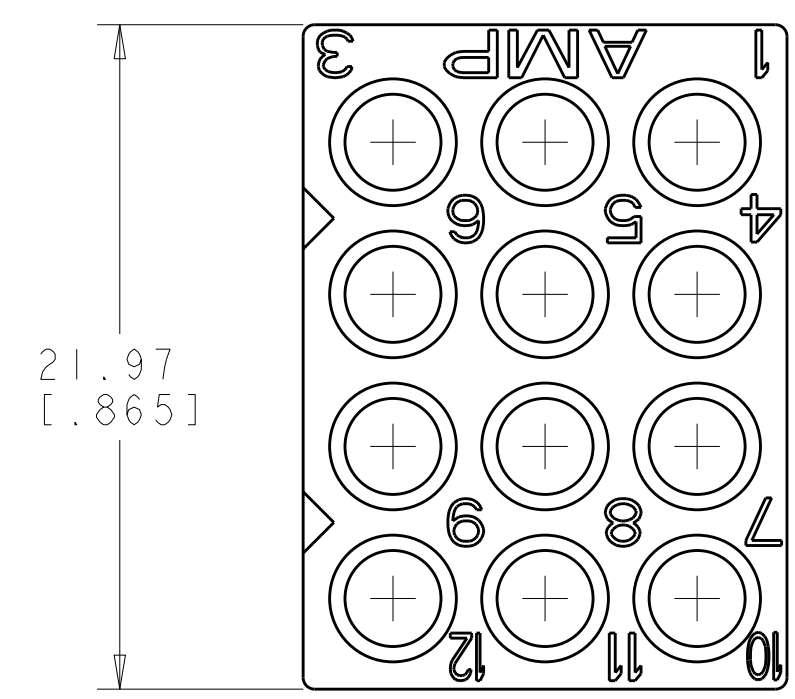
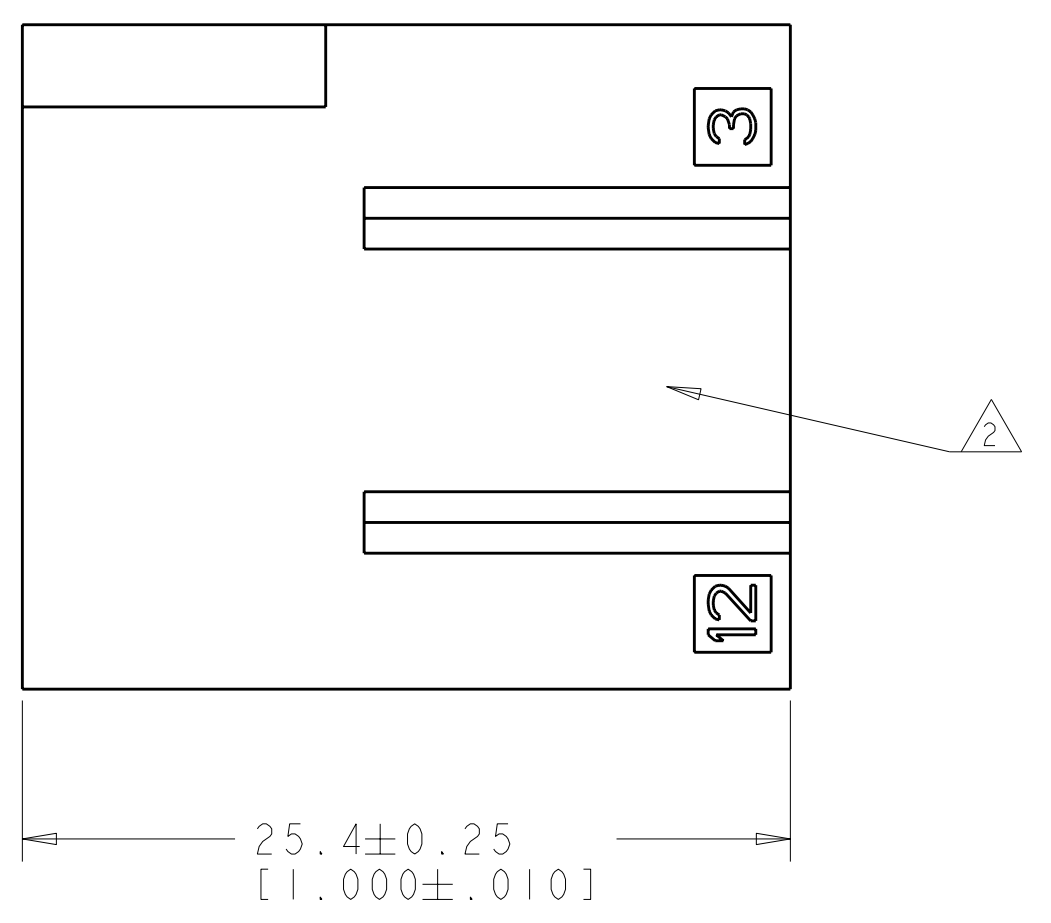
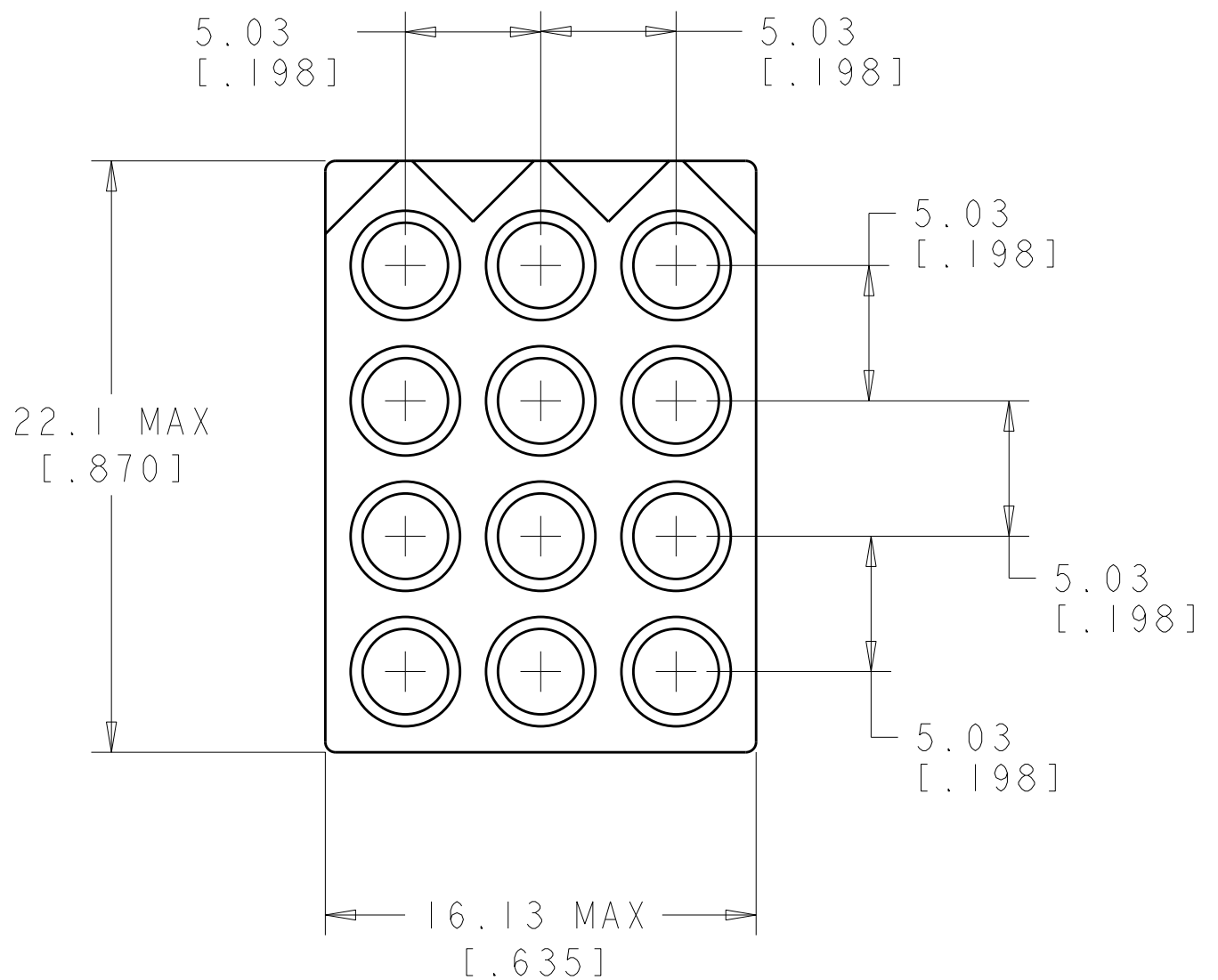


LOC	DIST	REV	DATE	BY	APPD
CM	00	E	30AUG2007	KW	CC
		DESCRIPTION			
		ECO-07-020239			



△ MATERIAL: NYLON UL94V-2 (NATURAL).  
 △ MARKING FOR UL LOGO AND CSA LOGO LOCATED APPROXIMATELY AS SHOWN.



0.294 IN <sup>3</sup>	770100-1
VOLUME	PART NUMBER

<small>THIS DRAWING IS UNPUBLISHED. RELEASED FOR PUBLICATION BY TYCO ELECTRONICS CORPORATION. ALL RIGHTS RESERVED. THIS DRAWING IS UNPUBLISHED. RELEASED FOR PUBLICATION BY TYCO ELECTRONICS CORPORATION. ALL RIGHTS RESERVED.</small>		DWN: R. WHITAKER 30AUG2007 CHK: C. CASH 30AUG2007 APVD: C. CASH 30AUG2007	Tyco Electronics Harrisburg, PA 17105-3608
DIMENSIONS: mm [INCHES] TOLERANCES UNLESS OTHERWISE SPECIFIED: 9 PLC ± 1 PLC ± 2 PLC ±0.13(.005) 3 PLC ± 4 PLC ± ANGLES ±		NAME: RECEPTACLE, 12 CIRCUIT, .093 COMMERCIAL PIN AND SOCKET PRODUCT SPEC: APPLICATION SPEC: SIZE: CAGE CODE DRAWING NO: A100779C-770100 RESTRICTED TO:	Tyco Electronics Harrisburg, PA 17105-3608
MATERIAL: △ FINISH:		WEIGHT: CUSTOMER DRAWING	SCALE: 4:1 SHEET 1 OF 1 REV E

**METRIC**