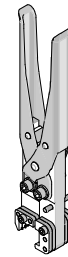


**Impact™
Daughtercard
Signal Module
Removal Tool**



**Application Tooling
Specification Sheet**



Order No. 62202-4600

FEATURES

- A pliers-type tool used to remove the Daughtercard Signal Module from the PCB
- Tool is adjustable for various 6, 8, 10, 12, 14, and 16 columns standard, orthogonal, and XTR configurations

SCOPE

Products: Impact™ 100 Ohm, Ortho, 85 Ohm, and XTR Right Angle Daughtercard Receptacle Signal Module, 3 Pair. See Product List below for specific part numbers.

Product List

The following is a partial list of the product order numbers and their specifications this tool is designed to be used on. Updates to this list are available on www.molex.com.

Pair	Series No.	Guide Style	Columns	Assembly Order Number							
3	76170 100 Ohm	Open	6	76170-0006	76170-0036	76170-1006	76170-1036				
		Left	6	76170-2006	76170-2036	76170-2106	76170-2136	76170-2206	76170-2236		
				76170-2306	76170-2336	76170-2406	76170-2436	76170-2506	76170-2536		
				76170-2606	76170-2636	76170-2706	76170-2736	76170-2806	76170-2836		
				76170-3006	76170-3036	76170-3106	76170-3136	76170-3206	76170-3236		
				76170-3306	76170-3336	76170-3406	76170-3436	76170-3506	76170-3536		
				76170-3606	76170-3636	76170-3706	76170-3736	76170-3806	76170-3836		
				76170-4006	76170-4036	76170-4046	76170-4076	76170-4106	76170-4136		
				76170-4146	76170-4176	76170-4206	76170-4236	76170-4246	76170-4276		
				76170-4306	76170-4336	76170-4346	76170-4376	76170-4406	76170-4436		
				76170-4446	76170-4476	76170-4506	76170-4536	76170-4546	76170-4576		
		Right	6	76170-4606	76170-4636	76170-4646	76170-4676	76170-4706	76170-4736		
				76170-4746	76170-4776	76170-4806	76170-4836	76170-4846	76170-4876		
				76170-5006	76170-5036	76170-5046	76170-5076	76170-5106	76170-5136		
				76170-5146	76170-5176	76170-5206	76170-5236	76170-5246	76170-5276		
				76170-5306	76170-5336	76170-5346	76170-5376	76170-5406	76170-5436		
				76170-5446	76170-5476	76170-5506	76170-5536	76170-5546	76170-5576		
				76170-5606	76170-5636	76170-5646	76170-5676	76170-5706	76170-5736		
				76170-5746	76170-5776	76170-5806	76170-5836	76170-5846	76170-5876		
				Open	8	76170-0008	76170-0038	76170-1008	76170-1038		
				Left	8	76170-2008	76170-2038	76170-2108	76170-2138	76170-2208	76170-2238
		76170-2308	76170-2338			76170-2408	76170-2438	76170-2508	76170-2538		
		76170-2608	76170-2638			76170-2708	76170-2738	76170-2808	76170-2838		
		76170-3008	76170-3038			76170-3108	76170-3138	76170-3208	76170-3238		
		76170-3308	76170-3338			76170-3408	76170-3438	76170-3508	76170-3538		
		76170-3608	76170-3638			76170-3708	76170-3738	76170-3808	76170-3838		
		76170-4008	76170-4038			76170-4048	76170-4078	76170-4108	76170-4138		

Pair	Series No.	Guide Style	Columns	Assembly Order Number					
3	76170 100 Ohm	Right	8	76170-4148	76170-4178	76170-4208	76170-4238	76170-4248	76170-4278
				76170-4308	76170-4338	76170-4348	76170-4378	76170-4408	76170-4438
				76170-4448	76170-4478	76170-4508	76170-4538	76170-4548	76170-4578
				76170-4608	76170-4638	76170-4648	76170-4678	76170-4708	76170-4738
				76170-4748	76170-4778	76170-4808	76170-4838	76170-4848	76170-4878
				76170-5008	76170-5038	76170-5048	76170-5078	76170-5108	76170-5138
				76170-5148	76170-5178	76170-5208	76170-5238	76170-5248	76170-5278
				76170-5308	76170-5338	76170-5348	76170-5378	76170-5408	76170-5438
				76170-5448	76170-5478	76170-5508	76170-5538	76170-5548	76170-5578
				76170-5608	76170-5638	76170-5648	76170-5678	76170-5708	76170-5738
		76170-5748	76170-5778	76170-5808	76170-5838	76170-5848	76170-5878		
		Open	10	76170-0010	76170-0020	76170-1010	76170-1020		
		Left	10	76170-2010	76170-2020	76170-2110	76170-2120	76170-2210	76170-2220
				76170-2310	76170-2320	76170-2410	76170-2420	76170-2510	76170-2520
				76170-2610	76170-2620	76170-2710	76170-2720	76170-2810	76170-2820
				76170-3010	76170-3020	76170-3110	76170-3120	76170-3210	76170-3220
				76170-3310	76170-3320	76170-3410	76170-3420	76170-3510	76170-3520
				76170-3610	76170-3620	76170-3710	76170-3720	76170-3810	76170-3820
		Right	10	76170-4010	76170-4020	76170-4050	76170-4060	76170-4110	76170-4120
				76170-4150	76170-4160	76170-4210	76170-4220	76170-4250	76170-4260
				76170-4310	76170-4320	76170-4350	76170-4360	76170-4410	76170-4420
				76170-4450	76170-4460	76170-4510	76170-4520	76170-4550	76170-4560
				76170-4610	76170-4620	76170-4650	76170-4660	76170-4710	76170-4720
				76170-4750	76170-4760	76170-4810	76170-4820	76170-4850	76170-4860
				76170-5010	76170-5020	76170-5050	76170-5060	76170-5110	76170-5120
				76170-5150	76170-5160	76170-5210	76170-5220	76170-5250	76170-5260
				76170-5310	76170-5320	76170-5350	76170-5360	76170-5410	76170-5420
				76170-5450	76170-5460	76170-5510	76170-5520	76170-5550	76170-5560
		76170-5610	76170-5620	76170-5650	76170-5660	76170-5710	76170-5720		
		76170-5750	76170-5760	76170-5810	76170-5820	76170-5850	76170-5860		
		Open	16	76170-0016	76170-0026	76170-1016	76170-1026		
		Left	16	76170-2016	76170-2026	76170-2116	76170-2126	76170-2216	76170-2226
				76170-2316	76170-2326	76170-2416	76170-2426	76170-2516	76170-2526
				76170-2616	76170-2626	76170-2716	76170-2726	76170-2816	76170-2826
				76170-3016	76170-3026	76170-3116	76170-3126	76170-3216	76170-3226
				76170-3316	76170-3326	76170-3416	76170-3426	76170-3516	76170-3526
				76170-3616	76170-3626	76170-3716	76170-3726	76170-3816	76170-3826
		Right	16	76170-4016	76170-4026	76170-4056	76170-4076	76170-4116	76170-4126
				76170-4156	76170-4176	76170-4216	76170-4226	76170-4256	76170-4276
				76170-4316	76170-4326	76170-4356	76170-4376	76170-4416	76170-4426
				76170-4456	76170-4476	76170-4516	76170-4526	76170-4556	76170-4576
				76170-4616	76170-4626	76170-4656	76170-4676	76170-4716	76170-4726
				76170-4756	76170-4776	76170-4816	76170-4826	76170-4856	76170-4876
				76170-5016	76170-5026	76170-5056	76170-5076	76170-5116	76170-5126
				76170-5156	76170-5176	76170-5216	76170-5226	76170-5256	76170-5276
				76170-5316	76170-5326	76170-5356	76170-5376	76170-5416	76170-5426
				76170-5456	76170-5476	76170-5516	76170-5526	76170-5556	76170-5576
		76170-5616	76170-5626	76170-5656	76170-5676	76170-5716	76170-5726		
		76170-5756	76170-5776	76170-5816	76170-5826	76170-5856	76170-5876		
		76860	Open	6	76860-0006	76860-0036	76860-1006	76860-1036	
			Left	6	76860-2006	76860-2036	76860-3006	76860-3036	
			Right	6	76860-4006	76860-4036	76860-5006	76860-5036	
			Open	8	76860-0008	76860-0038	76860-1008	76860-1038	
			Left	8	76860-2008	76860-2038	76860-3008	76860-3038	

Pair	Series No.	Guide Style	Columns	Assembly Order Number							
3	170530 85 Ohm	Right	8	76860-4008	76860-4038	76860-5008	76860-5038				
		Open	8	170530-0008	170530-0038	170530-1008	170530-1038				
		Left	8	170530-2008	170530-2038	170530-2048	170530-2078	170530-2108	170530-2138		
				170530-2148	170530-2178	170530-2208	170530-2238	170530-2248	170530-2278		
				170530-2308	170530-2338	170530-2348	170530-2378	170530-2408	170530-2438		
				170530-2448	170530-2478	170530-2508	170530-2538	170530-2548	170530-2578		
				170530-2608	170530-2638	170530-2648	170530-2678	170530-2708	170530-2738		
				170530-2748	170530-2778	170530-2808	170530-2838	170530-2848	170530-2878		
				170530-3008	170530-3038	170530-3048	170530-3078	170530-3108	170530-3138		
				170530-3148	170530-3178	170530-3208	170530-3238	170530-3248	170530-3278		
				170530-3308	170530-3338	170530-3348	170530-3378	170530-3408	170530-3438		
				170530-3448	170530-3478	170530-3508	170530-3538	170530-3548	170530-3578		
				170530-3608	170530-3638	170530-3648	170530-3678	170530-3708	170530-3738		
				170530-3748	170530-3778	170530-3808	170530-3838	170530-3848	170530-3878		
				Right	8	170530-4008	170530-4038	170530-4048	170530-4078	170530-4108	170530-4138
						170530-4148	170530-4178	170530-4208	170530-4238	170530-4248	170530-4278
		170530-4308	170530-4338			170530-4348	170530-4378	170530-4408	170530-4438		
		170530-4448	170530-4478			170530-4508	170530-4538	170530-4548	170530-4578		
		170530-4608	170530-4638			170530-4648	170530-4678	170530-4708	170530-4738		
		170530-4748	170530-4778			170530-4808	170530-4838	170530-4848	170530-4878		
		170530-5008	170530-5038			170530-5048	170530-5078	170530-5108	170530-5138		
		170530-5148	170530-5178			170530-5208	170530-5238	170530-5248	170530-5278		
		170530-5308	170530-5338			170530-5348	170530-5378	170530-5408	170530-5438		
		170530-5448	170530-5478			170530-5508	170530-5538	170530-5548	170530-5578		
		170530-5608	170530-5638			170530-5648	170530-5678	170530-5708	170530-5738		
		170530-5748	170530-5778	170530-5808	170530-5838	170530-5848	170530-5878				
		Open	10	170530-0010	170530-0020	170530-1010	170530-1020				
		Left	10	170530-2010	170530-2020	170530-2050	170530-2060	170530-2110	170530-2120		
				170530-2150	170530-2160	170530-2210	170530-2220	170530-2250	170530-2260		
				170530-2310	170530-2320	170530-2350	170530-2360	170530-2410	170530-2420		
				170530-2450	170530-2460	170530-2510	170530-2520	170530-2550	170530-2560		
				170530-2610	170530-2620	170530-2650	170530-2660	170530-2710	170530-2720		
				170530-2750	170530-2760	170530-2810	170530-2820	170530-2850	170530-2860		
				170530-3010	170530-3020	170530-3050	170530-3060	170530-3110	170530-3120		
				170530-3010	170530-3020	170530-3050	170530-3060	170530-3110	170530-3120		
				170530-3150	170530-3160	170530-3210	170530-3220	170530-3250	170530-3260		
				170530-3310	170530-3320	170530-3350	170530-3360	170530-3410	170530-3420		
				170530-3450	170530-3460	170530-3510	170530-3520	170530-3550	170530-3560		
				170530-3610	170530-3620	170530-3650	170530-3660	170530-3710	170530-3720		
				170530-3750	170530-3760	170530-3810	170530-3820	170530-3850	170530-3860		
				Right	10	170530-4010	170530-4020	170530-4050	170530-4060	170530-4110	170530-4120
		170530-4150	170530-4160			170530-4210	170530-4220	170530-4250	170530-4260		
		170530-4310	170530-4320			170530-4350	170530-4360	170530-4410	170530-4420		
		170530-4450	170530-4460			170530-4510	170530-4520	170530-4550	170530-4560		
		170530-4610	170530-4620			170530-4650	170530-4660	170530-4710	170530-4720		
		170530-4750	170530-4760			170530-4810	170530-4820	170530-4850	170530-4860		
		170530-5010	170530-5020			170530-5050	170530-5060	170530-5110	170530-5120		
		170530-5150	170530-5160			170530-5210	170530-5220	170530-5250	170530-5260		
		170530-5310	170530-5320			170530-5350	170530-5360	170530-5410	170530-5420		
		170530-5450	170530-5460			170530-5510	170530-5520	170530-5550	170530-5560		
		170530-5610	170530-5620			170530-5650	170530-5660	170530-5710	170530-5720		
		170530-5750	170530-5760	170530-5810	170530-5820	170530-5850	170530-5860				
Open	12	170530-1012	170530-1022								
		170530-3012	170530-3022	170530-3052	170530-3062	170530-3112	170530-3122				
Left	12	170530-3152	170530-3162	170530-3212	170530-3222	170530-3252	170530-3262				

Pair	Series No.	Guide Style	Columns	Assembly Order Number							
3	170530 85 Ohm	Left	12	170530-3312	170530-3322	170530-3352	170530-3362	170530-3412	170530-3422		
				170530-3452	170530-3462	170530-3512	170530-3522	170530-3552	170530-3562		
				170530-3612	170530-3622	170530-3652	170530-3662	170530-3712	170530-3722		
				170530-3752	170530-3762	170530-3812	170530-3822	170530-3852	170530-3862		
		Right	12	170530-5012	170530-5022	170530-5052	170530-5062	170530-5112	170530-5122		
				170530-5152	170530-5162	170530-5212	170530-5222	170530-5252	170530-5262		
				170530-5312	170530-5322	170530-5352	170530-5362	170530-5412	170530-5422		
				170530-5452	170530-5462	170530-5512	170530-5522	170530-5552	170530-5562		
				170530-5612	170530-5622	170530-5652	170530-5662	170530-5712	170530-5722		
				170530-5752	170530-5762	170530-5812	170530-5822	170530-5852	170530-5862		
		Open	16	170530-0016	170530-0026	170530-1016	170530-1026				
		Left	16	170530-2016	170530-2026	170530-2056	170530-2066	170530-2116	170530-2126		
				170530-2156	170530-2166	170530-2216	170530-2226	170530-2256	170530-2266		
				170530-2316	170530-2326	170530-2356	170530-2366	170530-2416	170530-2426		
				170530-2456	170530-2466	170530-2516	170530-2526	170530-2556	170530-2566		
				170530-2616	170530-2626	170530-2656	170530-2666	170530-2716	170530-2726		
				170530-2756	170530-2766	170530-2816	170530-2826	170530-2856	170530-2866		
				170530-3016	170530-3026	170530-3056	170530-3066	170530-3116	170530-3126		
				170530-3156	170530-3166	170530-3216	170530-3226	170530-3256	170530-3266		
				170530-3316	170530-3326	170530-3356	170530-3366	170530-3416	170530-3426		
				170530-3456	170530-3466	170530-3516	170530-3526	170530-3556	170530-3566		
				170530-3616	170530-3626	170530-3656	170530-3666	170530-3716	170530-3726		
				170530-3756	170530-3766	170530-3816	170530-3826	170530-3856	170530-3866		
				Right	16	170530-4016	170530-4026	170530-4056	170530-4066	170530-4116	170530-4126
						170530-4156	170530-4166	170530-4216	170530-4226	170530-4256	170530-4266
		170530-4316	170530-4326			170530-4356	170530-4366	170530-4416	170530-4426		
		170530-4456	170530-4466			170530-4516	170530-4526	170530-4556	170530-4566		
		170530-4616	170530-4626			170530-4656	170530-4666	170530-4716	170530-4726		
		170530-4756	170530-4766			170530-4816	170530-4826	170530-4856	170530-4866		
		170530-5016	170530-5026			170530-5056	170530-5066	170530-5116	170530-5126		
		170530-5156	170530-5166			170530-5216	170530-5226	170530-5256	170530-5266		
		170530-5316	170530-5326			170530-5356	170530-5366	170530-5416	170530-5426		
170530-5456	170530-5466	170530-5516	170530-5526			170530-5556	170530-5566				
170530-5616	170530-5626	170530-5656	170530-5666			170530-5716	170530-5726				
170530-5756	170530-5766	170530-5816	170530-5826			170530-5856	170530-5866				
3	171180 XRT	Open	14	171180-1024							

DESCRIPTION

The 62202-4600 Impact™ Daughtercard Signal Module Removal Tool is a pliers-type tool for removing a Daughtercard signal module from the printed circuit board. The tool is approximately 288.0mm (9.0 in.) long by 45.5mm (1.8 in.) wide (closed) by 37.5mm (1.5 in.) thick and weighs 0.70 kg (1.45 lb).

OPERATING SPACE (Keep Out Zone)

A certain amount of space is required on the printed circuit board for the Removal Tool to fit over the DaughterCard signal module. Make sure there are no other components in this space. See Figure 1.

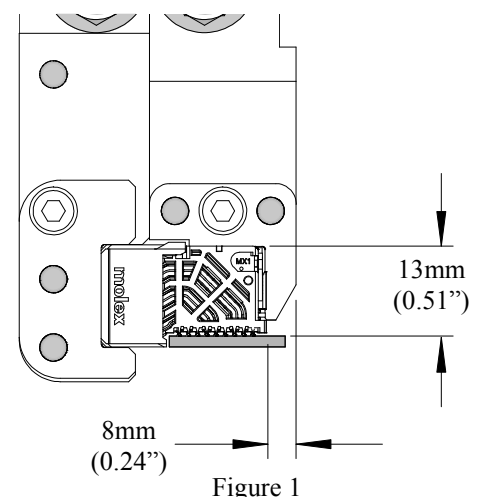


Figure 1

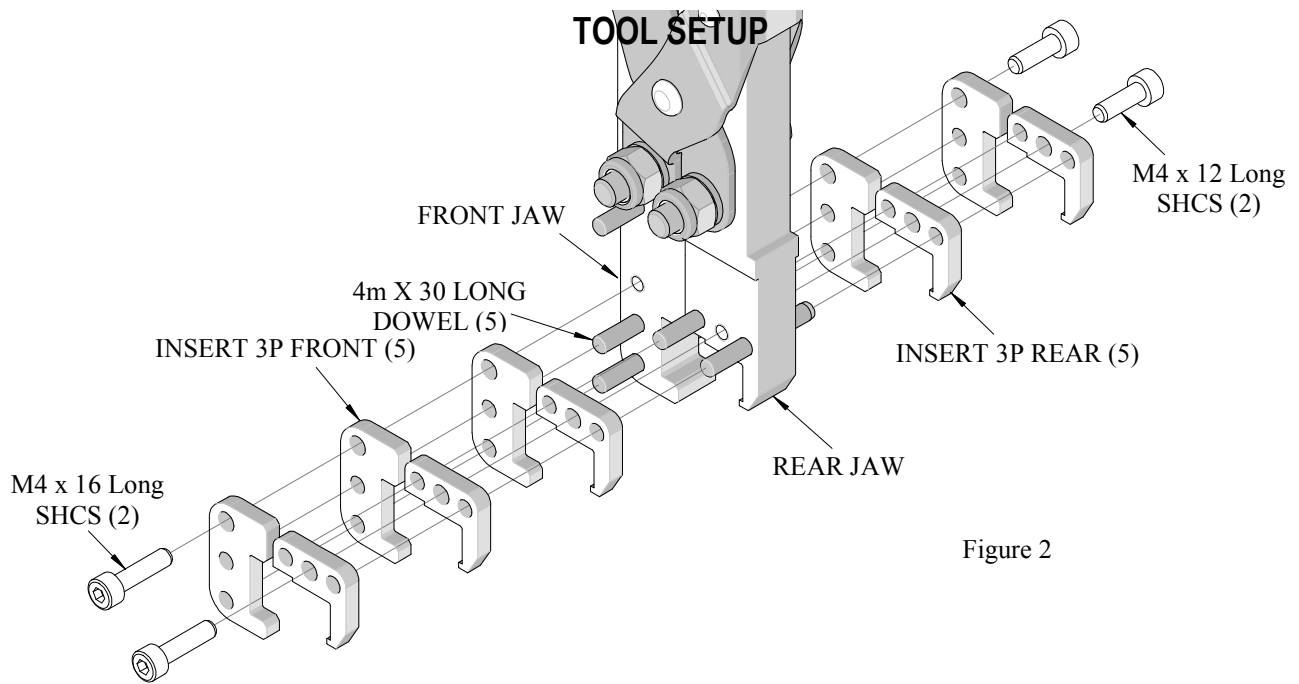


Figure 2

1. To remove the tool insets from the jaw, remove the (4) M4 SHCS on the removal tool and pull out inserts from the dowels. See Figure 2.
2. Rotate the inserts based on the appropriate column size of the connector. This is determined by the number of pairs of the DaughterCard signal module (6, 8, 10, 12, 14 or 16 pairs). See Figure 4.
3. Replace the (4) 4mm SHCS and tighten securely.
4. When set-up for the position needed is complete, open the removal tool so jaws fit over the module to be removed. The bottom face of the Front and Back Jaws should be resting on or near the top of the DaughterCard module.
5. Slowly squeeze the removal tool closed, making sure the teeth on the Front Jaw Tool are seating inside the slots on the module. The teeth will fit in between the slots below the metal stiffener. See Figure 3.
6. When the removal tool is properly seated onto the module the removal tool should be closed tightly so both Front and Back Jaw interior faces are touching.
7. Use a perpendicular upward motion to remove the module. DO not excessively "rock" the module back and forth this may damage to the PCB assembly.

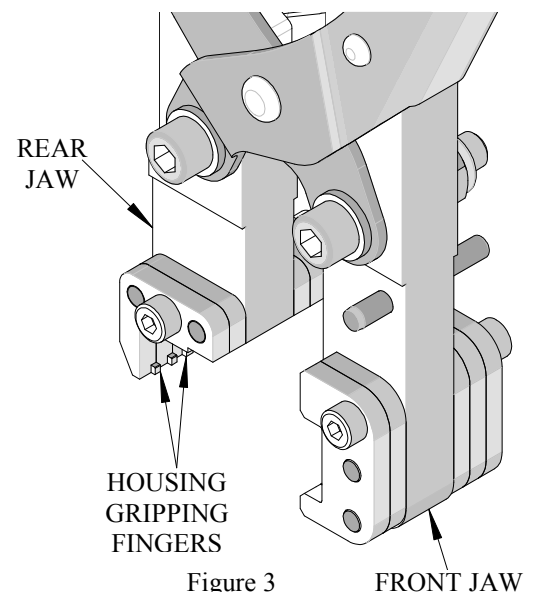
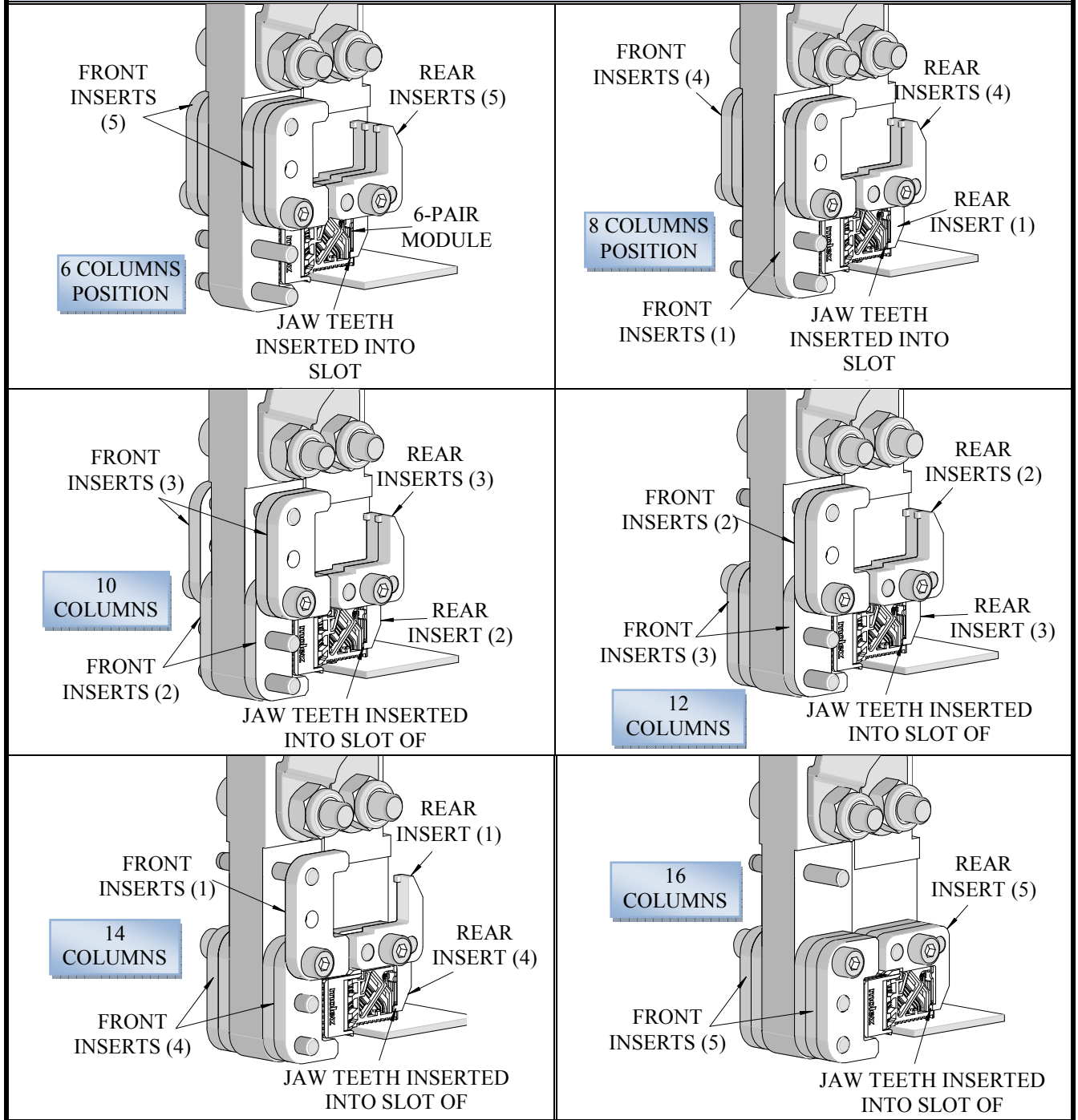


Figure 3

Figure 4
Correct Position of Jaw Tools



Maintenance

It is recommended that each operator of the tool be made aware of, and responsible for, the following maintenance steps:

1. Remove dust, moisture, and other contaminants with a clean brush, or soft, lint free cloth.
2. Do not use any abrasive materials that could damage the tool.
3. Make certain all pins; pivot points and bearing surfaces are protected with a thin coat of high quality machine oil. Do not oil excessively.
4. When tool is not in use, store in a clean, dry area.
5. There are no repair parts available for this tool. Should the tool be damaged a new tool is required.

CAUTION: Molex specifications are valid only when used with Molex connectors and tooling.

Visit our Web site at <http://www.molex.com>