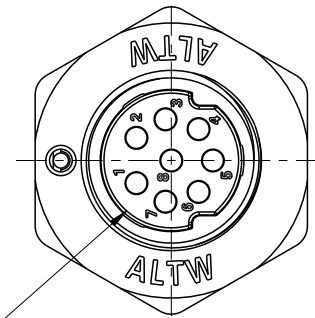
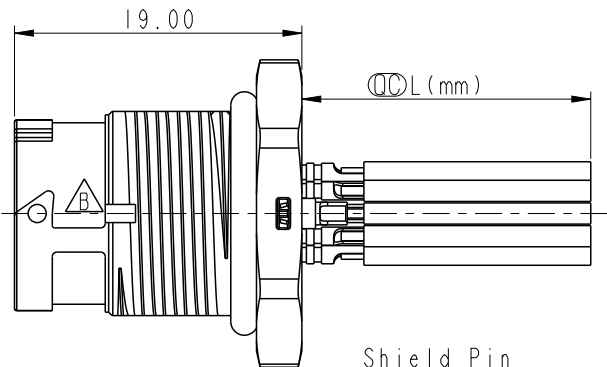
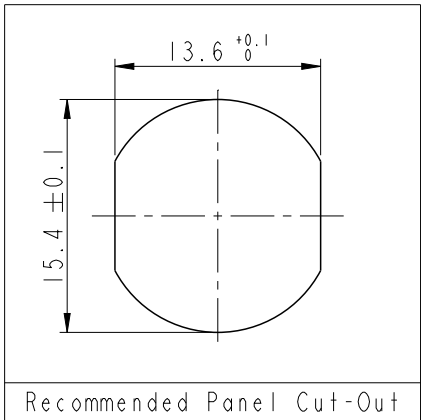


REV.	ECN NO.	DATE	SIGN	DESCRIPTION
A		2022-01-03	Sam Ho	Rev.01 to A, Initial Released
B	C220386	2022-03-29	Sam Ho	⚠ XI

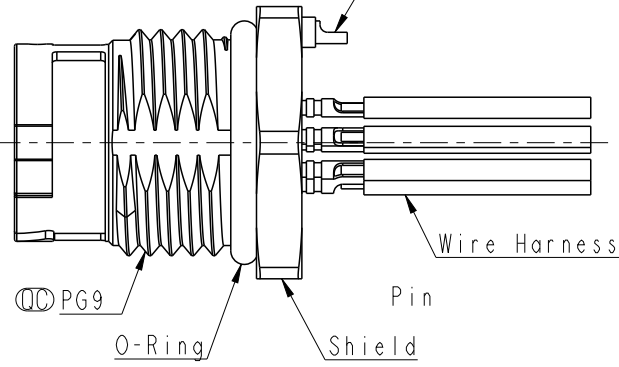
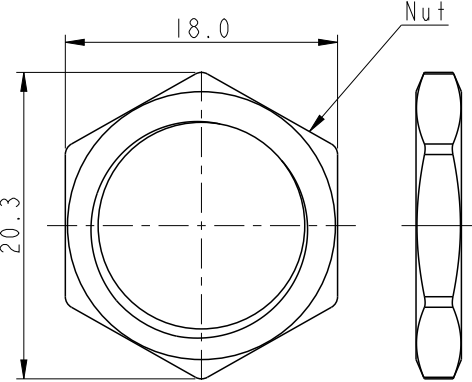
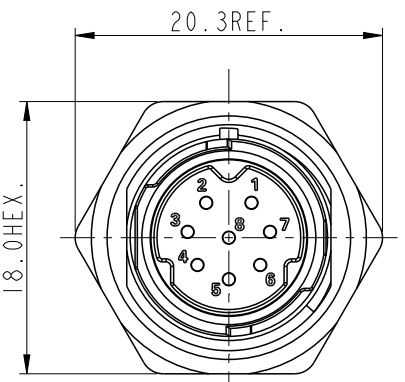


8	Red	紅
7	Blue	藍
6	Pink	粉紅
5	Gray	灰
4	Yellow	黃
3	Green	綠
2	Brown	棕
1	White	白

Pin # Wire

8P

Pin Assignments Front View



ASU-XXPMMS-QC8AXX

XX: L=10~150cm  
 10: L=10cm  
 15: L=15cm  
 :  
 A0: L=100cm  
 A1: L=110cm  
 :

XX: No. Of Pin

- Note:
- \* RoHS Compliant
  - \* Ⓞ Important dimension
  - \* Waterproof rate: IPX8, unmated 1m/24h
  - \* Housing: Thermoplastic, Black
  - \* Pin: Copper Alloy, Gold plated
  - \* Shield Pin: Copper Alloy, Gold plated
  - \* Shield: Metal
  - \* Nut: Metal
  - \* O-Ring: Rubber, Black
  - \* Wire harness: UL1430, 24#,  $\varnothing 1.4$ .
  - \* For panel thickness max: 4.5mm
  - \* Nut is packed separately in pe bag
  - \* Wire harness tolerance:
    - 100mm:  $\pm 10$ mm
    - 100mm < L  $\leq$  300mm:  $\pm 15$ mm
    - 300mm < L  $\leq$  1000mm:  $\pm 20$ mm
    - 1000mm < L  $\leq$  1500mm:  $\pm 50$ mm

UNIT:mm		TITLE	XLOK, A SHLD-2A, 08P, FRONT FASTENED M, M, SOLDER, PUSH LOCK		
TOLERANCE	$\pm 0.50$ mm	SCALE	2:1	SIZE	A4
REV.	B	WC-REV.		SHEET	1 OF 1
				Ⓞ	Inspection item

**Amphenol LTW**  
 安費諾亮泰企業股份有限公司

ITEM NO.	DRAWN BY	DATE
	Sam Ho	2021-12-03
DWG NO.	CHECKED BY	DATE
ASU-XXPMMS-QC8AXX	Fred Lee	2021-12-03
CUSTOMER	APPROVED BY	DATE
ALTW	Fred Lee	2021-12-03

THIS DOCUMENT IS SUBJECT TO CHANGE WITHOUT NOTICE. IT IS CONFIDENTIAL AND A PROPERTY OF AMPHENOL LTW. DISCLOSURE TO THIRD PARTY HAS TO BE AUTHORIZED BY AMPHENOL LTW.