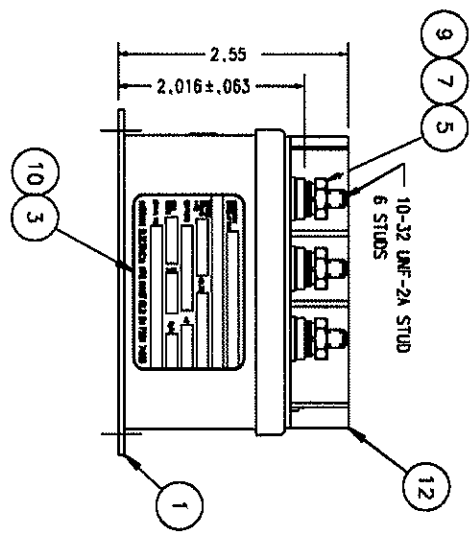
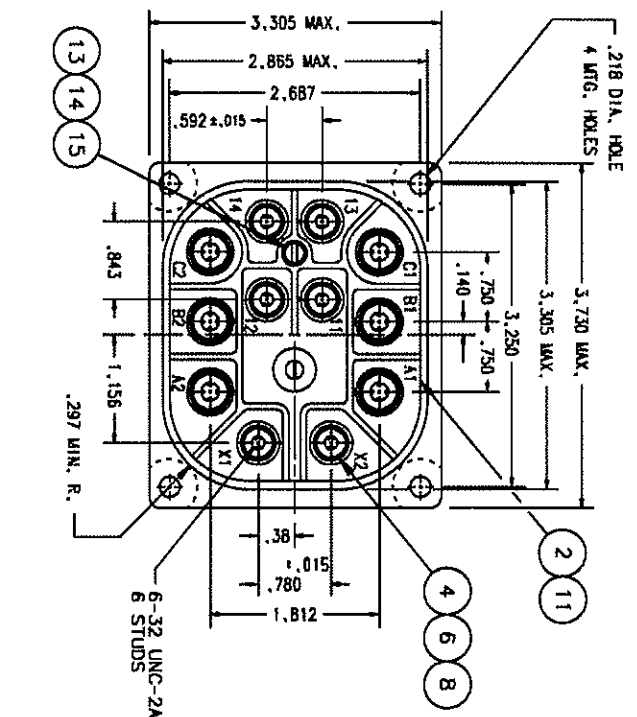


REVISIONS		DESCRIPTION	DATE	APPROVED
A	42399	RELEASED: UNDATED PARTS LIST	00-05-08	RS
B	45343	REQUIRED MAX FROM 2.55 DIA	01/09/20	CC
C	0361-03	WEIGHT WAS 1.20 LBS. MAX	03/04/02	CC



CONSTRUCTION  
CONTACT CONFIGURATION

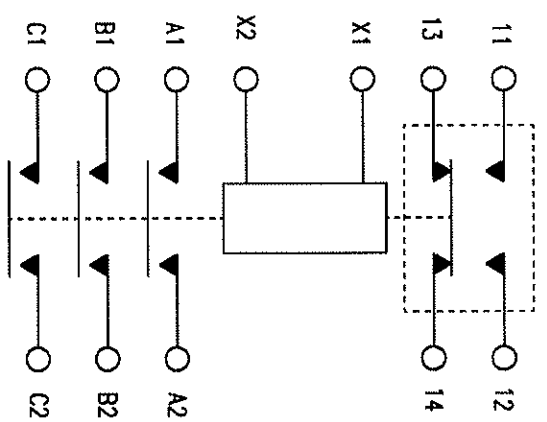
CONTACT RATING  
VOLTAGE  
CURRENT AT 125° C  
CONTINUOUS  
INTERMITTENT

MAX. INRUSH  
COIL DATA  
RATING  
NOMINAL VOLTAGE  
PICKUP VOLTAGE  
DROPOUT VOLTAGE  
CURRENT AT 29 VDC  
OPERATE TIME AT 25°C & 28 VDC  
CLOSE TIME  
RELEASE TIME  
IMPACT SHOCK  
ACCELERATION  
AMBIENT TEMPERATURE  
LIFE ELECTRICAL  
LIFE MECHANICAL  
WEIGHT

HERMETIC SEALED  
MAINS 3 P S 1 N.O.  
AUX. 1 N.O., 1 N.C.

115/200 VAC 400 HZ  
50 AMPS RESISTIVE  
64 AMPS 15 MIN.  
75 AMPS 5 MIN.  
100 AMPS 1 MIN.  
300 AMPS

CONTINUOUS DUTY  
28 VDC  
18 VDC MAX.  
1.5 - 7 VDC  
0.5 AMPS MAX.  
0.025 SECONDS MAX.  
0.010 SECONDS MAX.  
50 G'S  
15 G'S  
-55°C TO +125°C  
100,000 CYCLES  
200,000 CYCLES  
1.30 LBS. MAX.



FIND NO	QTY	RECD	PART OR IDENTIFYING NO	DESCRIPTION	FSCAL NO	DRAWING OR SPECIFICATION	MATERIAL OR NOTE
15	1		51804-011	WASHER LOCK NO. 4 SPLIT			BRONZE
14	1		51702-121	WASHER FLAT 1/4 X .150 X .020			BRASS
13	1		51214-110	SCREW 4-40 X 1/2 PAN HD.			ST STL
12	1		45036-001	SHIELD - TERMINAL			
11	1		39529-007	OVERLAY			
10	1		39529-001	OVERLAY			
9	6		51810-054	WASHER LOCK NO. 10 SPLIT			BRONZE
8	6		51806-014	WASHER LOCK NO. 6 SPLIT			BRONZE
7	12		51702-844	WASHER FLAT 3/8 X 13/64 X .032			BRASS
6	12		51702-204	WASHER FLAT 3/8 X 9/64 X .032			BRASS
5	6		50410-084	NUT 10-32 X 3/8 X 1/8 HEX			BRASS
4	6		50406-064	NUT 6-32 X 5/16 X 7/64 HEX			BRASS
3	1		16043-001	PLATE-NAME			
2	1		42405-001	PLATE-WIRING DIAGRAM			
1	1		42300-040	CONTACTOR ASSEMBLY-PRI.			

UNLESS OTHERWISE SPECIFIED DIMENSIONS ARE IN INCHES TOLERANCES IN

2 PL. DEC 4 3 PL. DEC. ANGLES ± .06 ± .010 ± 1°

SCALE NONE SHEET

DR BY CSC 03/04/22  
CHK BY CC 03/04/23  
ENGR [Signature] 03-04-24  
MFG [Signature] 03-04-24  
SIZE GRADE IDENT  
C 74063

DWG NO. BH-316D  
RELAY - 50 AMP, 115 VAC  
400 HZ OR 28 VDC 093

18 HORTON Division, 175 N. DIAMOND STREET WARDFIELD, OHIO 44082

TYCO Electronics

REF TYCO P/N 0-1616008-6