

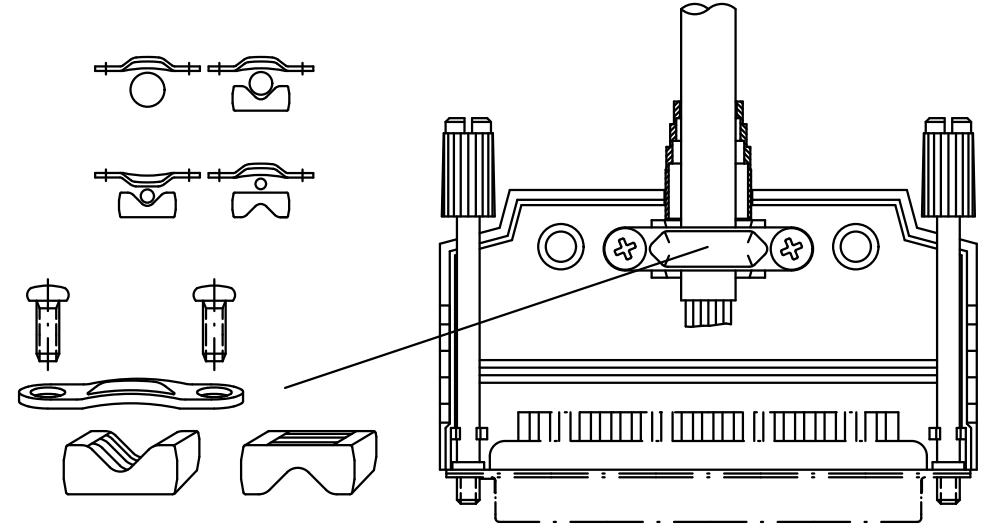
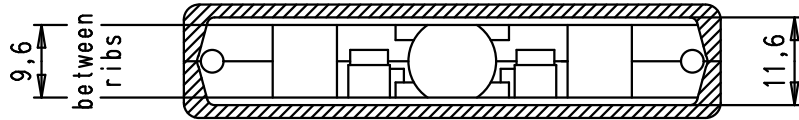
5

4

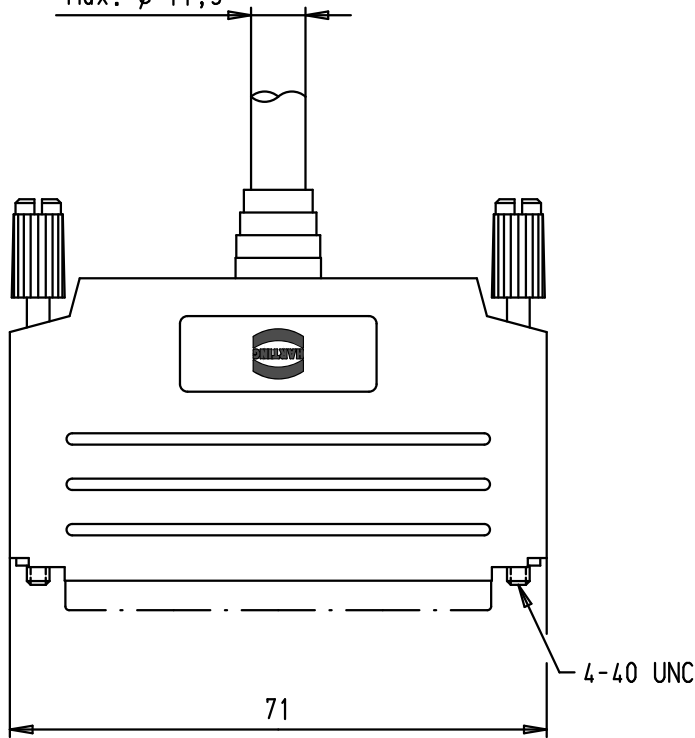
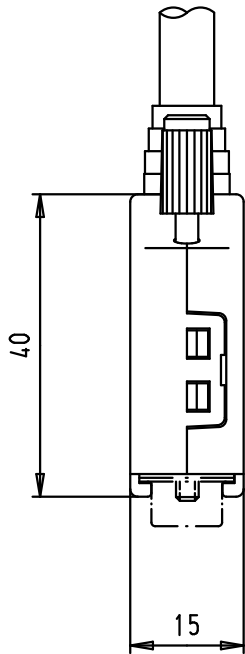
3

2

1



Max.  $\phi$  11,5



Cable diameters	Cable diameters
$\phi$ 3,3	$\phi$ 7,3
$\phi$ 4,3	$\phi$ 8,3
$\phi$ 5,3	$\phi$ 9,3
$\phi$ 6,3	$\phi$ 10,3

Scale: 2:1

A

			Dot.	Name	 All Dim. in mm Orig. Size DIN A 4	D-Sub, top entry hood with knurled screws, 37 poles, thermoplastic metallized	Maßstab/ Scale
		Detail.	28/03/02	CV			1:1
		Insp.					2:1
		Stand.					
34784	12/02/08	PK	HARTING EURL F-95972 Paris			TB 09 67 037 0425	Blatt/ Page
29760	28/03/02	CV					1 / 1
Mod.	Dot.	Name				Sub.	