

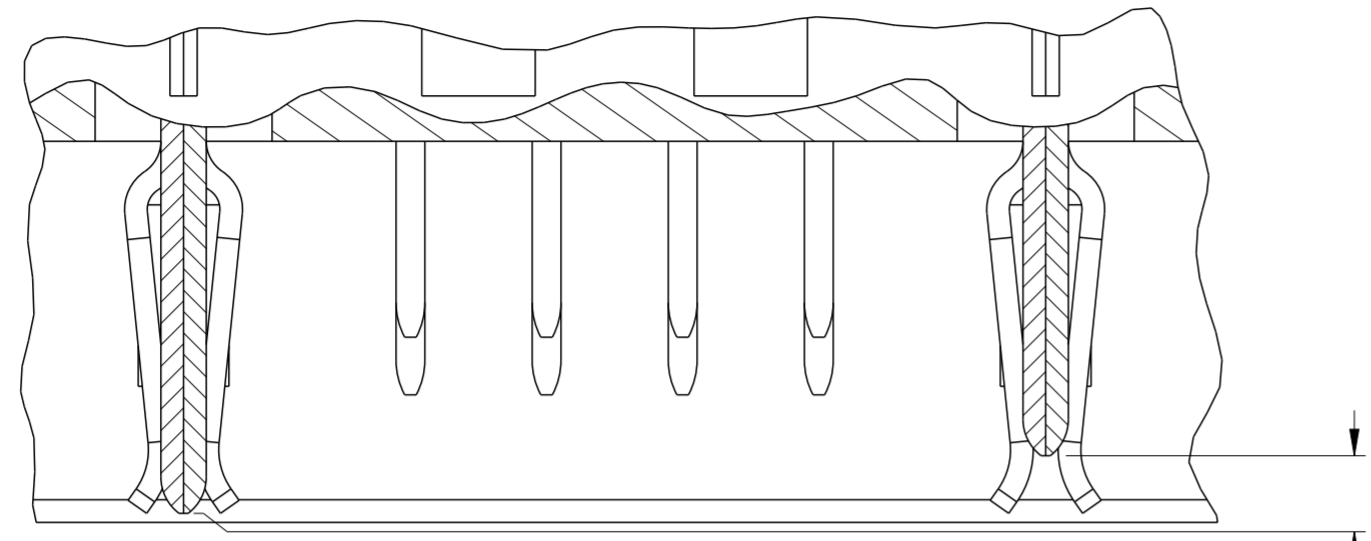
Copyright FCI.

spec ref	-	dr	NotFound DuWa	2010/04/28	projection	MM	size	A2	scale	3:1	
tolerance std	ASME Y14.5	eng	De-Ming Lu	2014/12/27			ecn no	ELX-DG-19849-1			
TOLERANCES UNLESS OTHERWISE SPECIFIED		chr	-	product family			HCI	rel level	Released		
surface	ASME Y14.5	appr	Pei-Ming Zheng	2014/12/29			title	R/A HDR ASSY 2P+16S+4P		cat. no.	-
linear	0.X ±0.5 0.XX ±0.25 0.XXX ±0.10	www.fci.com			title	HCI POWER CONNECTOR		cat. no.	-	Product - Customer Drw	
angular	0° ±2°			cat. no.	-	Product - Customer Drw	sheet 1 of 5				

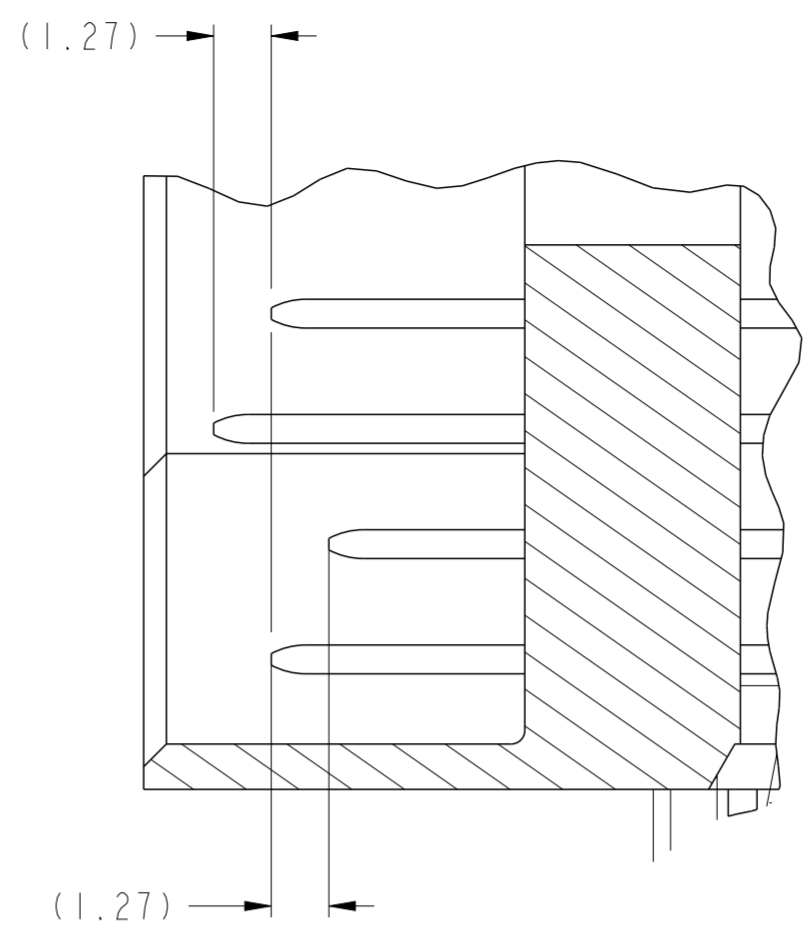
PDS: Rev :E

STATUS:Released

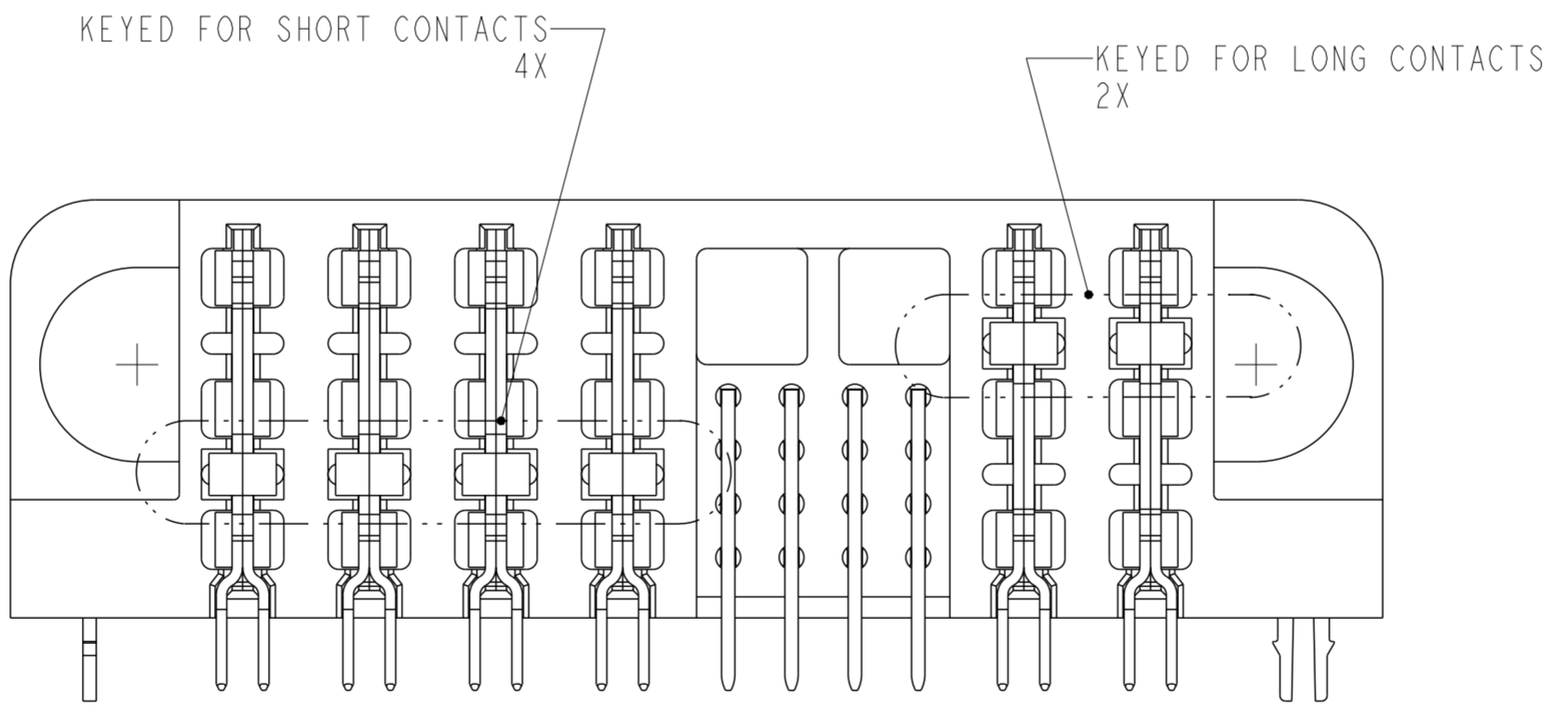
Printed: Dec 30, 2014



DETAIL C
SCALE 6:1
 POWER MATING
 SEQUENCE



SECTION W-W
SCALE 6:1
 SIGNAL MATING
 SEQUENCE



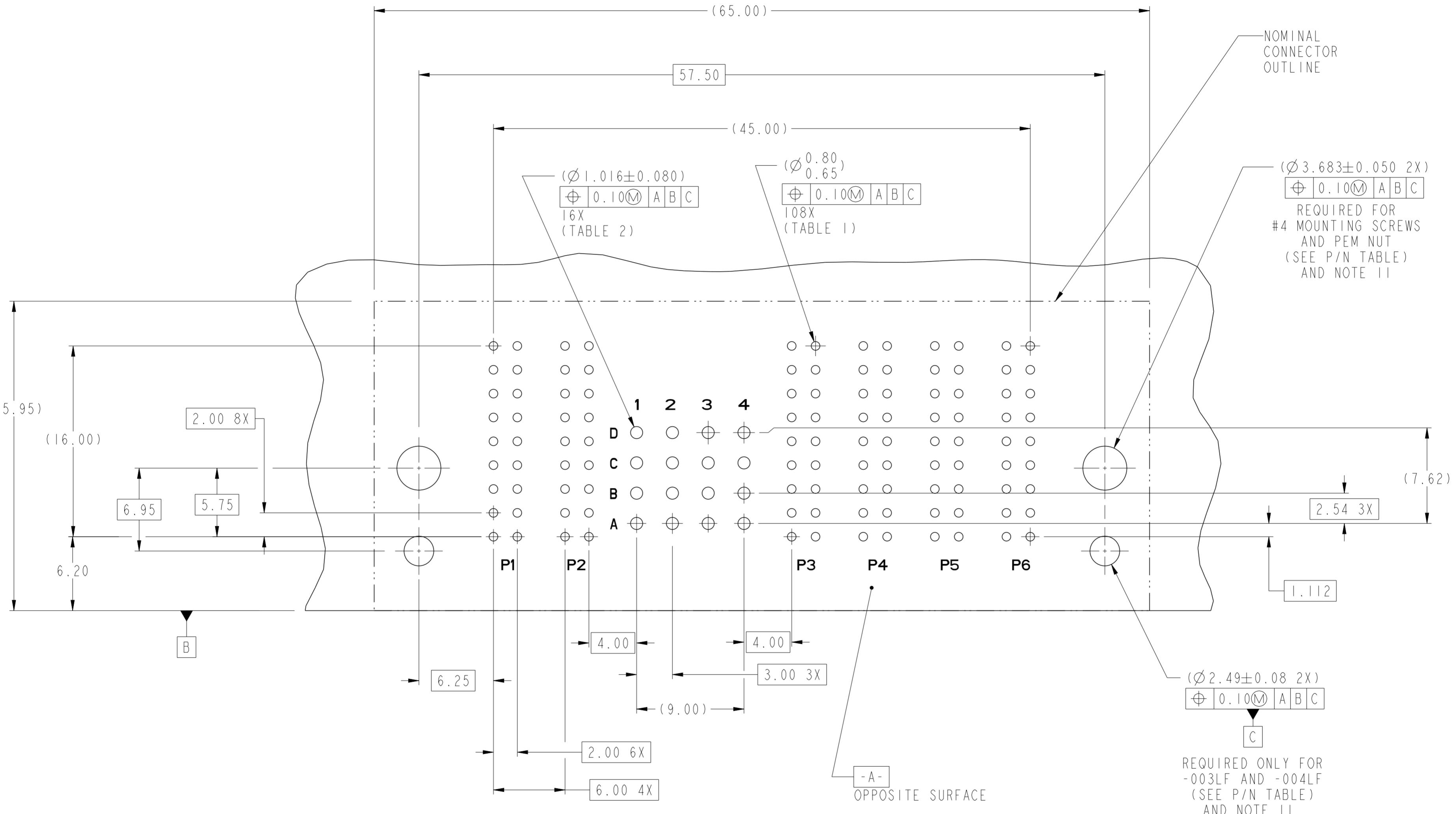
VIEW G-G

KEYED FOR SHORT CONTACTS
 4X

KEYED FOR LONG CONTACTS
 2X

dr	NotFound DuWa	2010/04/28	projection	MM	size	A2	scale	3:1
eng	De-Ming Lu	2014/12/27			ecn no	ELX-DG-19849-1	rel level	Released
chr	-	product family						
appr	Pei-Ming Zheng	2014/12/29	title		R/A HDR ASSY 2P+16S+4P		cat. no.	
			www.fci.com		10074864		sheet 2 of 5	
			Product - Customer Drw		STATUS:Released		Printed: Dec 30, 2014	

Copyright FCI.
FCI



RECOMMENDED PCB LAYOUT
 COMPONENT SIDE
 NOTE 6

Copyright FCI. FCI

dr	Not Found DuWa	2010/04/28	projection	MM	size	A2	scale	4:1
eng	De-Ming Lu	2014/12/27			ecn no	ELX-DG-19849-1		
chr	-	-			rel level	Released		
appr	Pei-Ming Zheng	2014/12/29	product family	-	rel level	Released		
		title R/A HDR ASSY 2P+16S+4P HCI POWER CONNECTOR	dwg no 10074864	rev E				
www.fci.com		cat. no.	Product - Customer Drw		sheet 3 of 5			

A

B

C

D

E

F

A

B

C

D

E

F

TOP LAYER DESCRIPTION

TABLE 1 (HCI POWER)
PLATED THROUGH-HOLE REQUIREMENTS

TOP LAYER DESCRIPTION	DRILLED HOLE DIAMETER	COPPER THICKNESS	TIN-LEAD THICKNESS	NICKEL THICKNESS	GOLD THICKNESS	TIN THICKNESS	SILVER THICKNESS	FINISHED HOLE DIAMETER
TIN-LEAD	0.81-0.86 (0.85 DRILL)	0.025 - 0.050	0.005 - 0.015	--	--	--	--	0.65 - 0.80
IMMERSION TIN	0.81-0.86 (0.85 DRILL)	0.025 - 0.050	--	--	--	0.9 - 1.5um	--	0.70 - 0.80
IMMERSION SILVER	0.81-0.86 (0.85 DRILL)	0.025 - 0.050	--	--	--	--	0.15 - 0.65um	0.70 - 0.80
COPPER (SEE NOTE 9)	0.81-0.86 (0.85 DRILL)	0.025 - 0.050	--	--	--	--	--	0.70 - 0.80
GOLD	0.81-0.86 (0.85 DRILL)	0.025 - 0.050	--	0.003 - 0.007	FLASH UP TO 0.0002	--	--	0.69 - 0.80

TOP LAYER DESCRIPTION

TABLE 2 (HPC SIGNALS)
PLATED THROUGH-HOLE REQUIREMENTS

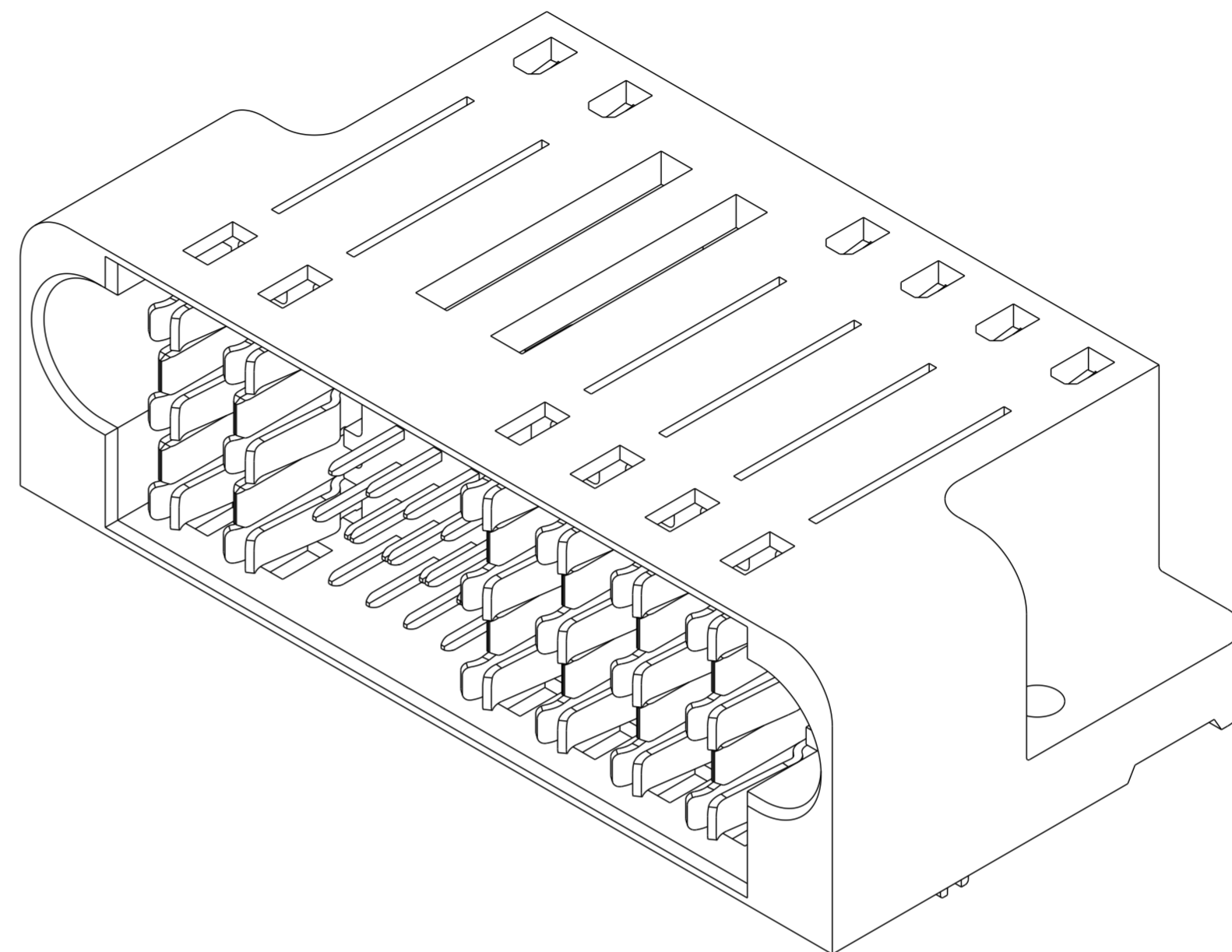
TOP LAYER DESCRIPTION	DRILLED HOLE DIAMETER	COPPER THICKNESS	TIN-LEAD THICKNESS	NICKEL THICKNESS	GOLD THICKNESS	TIN THICKNESS	SILVER THICKNESS	FINISHED HOLE DIAMETER
TIN-LEAD	1.125-1.175 ($\varnothing .0453 \pm .0010$)	0.025-0.050	0.005-0.015	--	--	--	--	0.94 - 1.10 ($\varnothing .040 \pm .003$)
IMMERSION TIN			--	--	--	--	--	
IMMERSION SILVER			--	--	--	--	--	
COPPER (SEE NOTE 9)			--	--	--	--	--	
GOLD			--	--	--	--	--	



Copyright FCI.

dr	NotFound DuWa	2010/04/28	projection	MM	size	A2	scale	4:1
eng	De-Ming Lu	2014/12/27		←→	ecn no	ELX-DG-19849-1	rel level	Released
chr	-	-						
appr	Pei-Ming Zheng	2014/12/29	product family	-	cat. no.	-	Product - Customer Drw	sheet 4 of 5
			title R/A HDR ASSY 2P+16S+4P HCI POWER CONNECTOR			dwg no 10074864		rev E

PART NUMBER	RETENTION CLIPS	#4 SCREW	DIM A (TAIL LENGTH)	TAIL TYPE
10074864-001LF	NO	YES	3.43	SOLDER TAIL
10074864-002LF	NO	YES	4.70	SOLDER TAIL
10074864-003LF	YES	NO	3.43	SOLDER TAIL
10074864-004LF	YES	NO	4.70	SOLDER TAIL



NOTES:

1. CONNECTOR MATERIALS:
HOUSING: HIGH TEMPERATURE THERMOPLASTIC, BLACK
UL 94V-0 COMPLIANT
CONTACTS: HIGH PERFORMANCE COPPER ALLOY
2. CONTACT FINISH (REF. GS-12-380 SECTION 5.2)
3. PRODUCT SPECIFICATION: GS-12-380.
4. APPLICATION SPECIFICATION: GS-20-070.
5. PRODUCT MARKING (PRODUCT NUMBER & DATE CODE) ON HOUSING IN AREA SHOWN.
6. MINIMUM NOMINAL PCB THICKNESS: 1.6mm
7. PACKAGING MEETS FCI SPECIFICATION GS-14-1073.
8. HOUSING COMPONENT WILL WITHSTAND EXPOSURE TO 260°C PEAK TEMPERATURE FOR 60 SECONDS IN A CONVECTION, INFRA-RED, OR VAPOR PHASE REFLOW OVEN.
9. COPPER PLATING THICKNESS IN CENTER OF VIA-HOLE CAN BE NO MORE THAN 0.003 LESS THAN OTHER AREAS.
10. ALL HOLE SIZES ARE FINISHED HOLE SIZES.
11. MOUNTING HOLES ARE UNPLATED.

dr	Not Found DuWa	2010/04/28	projection	MM	size	A2	scale	3:1
eng	De-Ming Lu	2014/12/27			ecn no	ELX-DG-19849-1		
chr	-	-			rel level	Released		
appr	Pei-Ming Zheng	2014/12/29	product family	HCI				
		title	R/A HDR ASSY 2P+16S+4P		dwg no	10074864		rev
www.fci.com		cat. no.	-		Product - Customer Drw	sheet 5 of 5		E