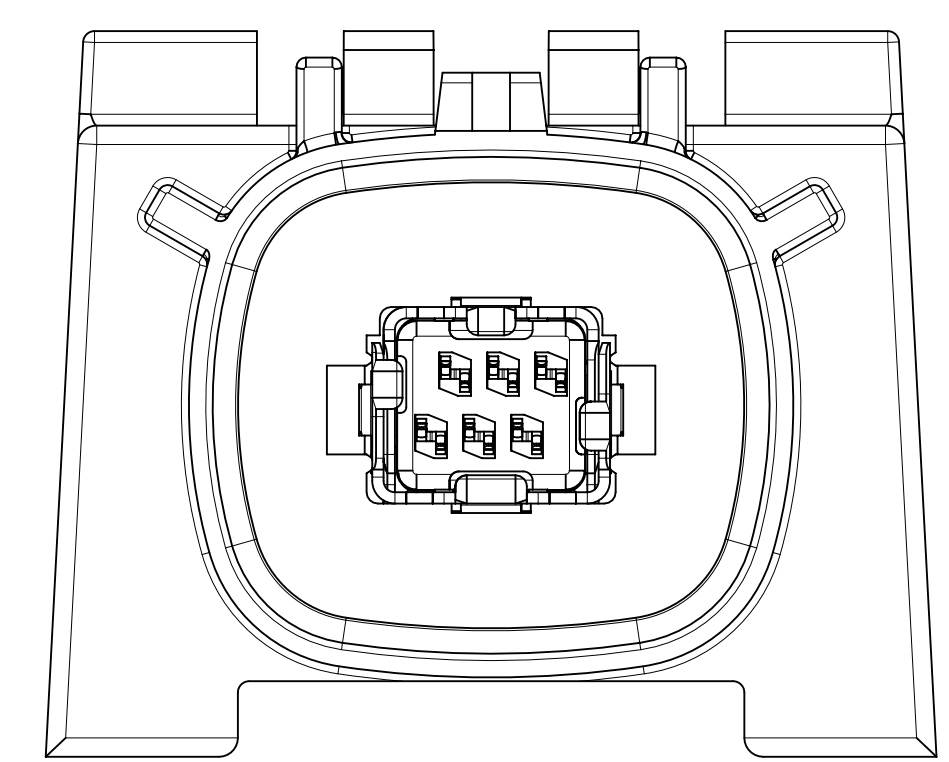
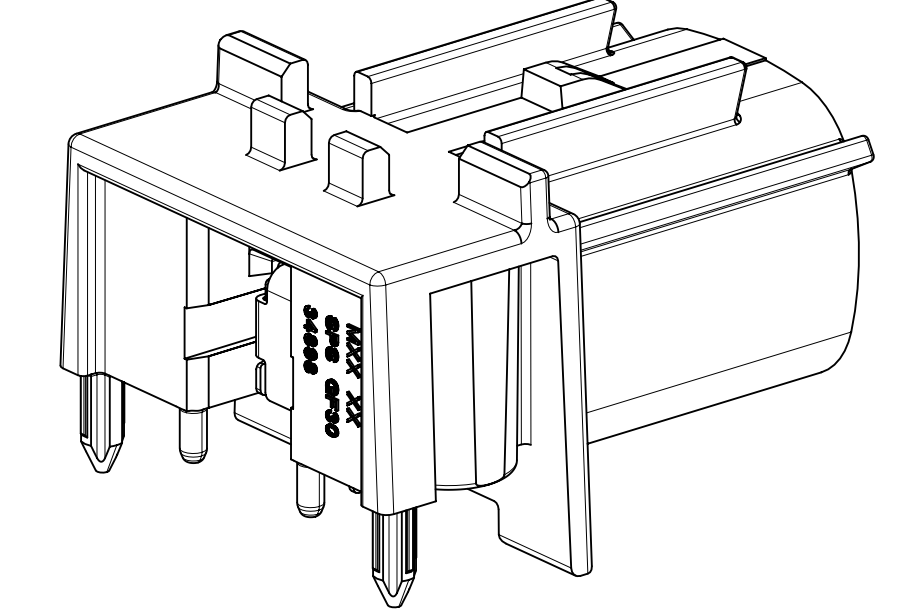
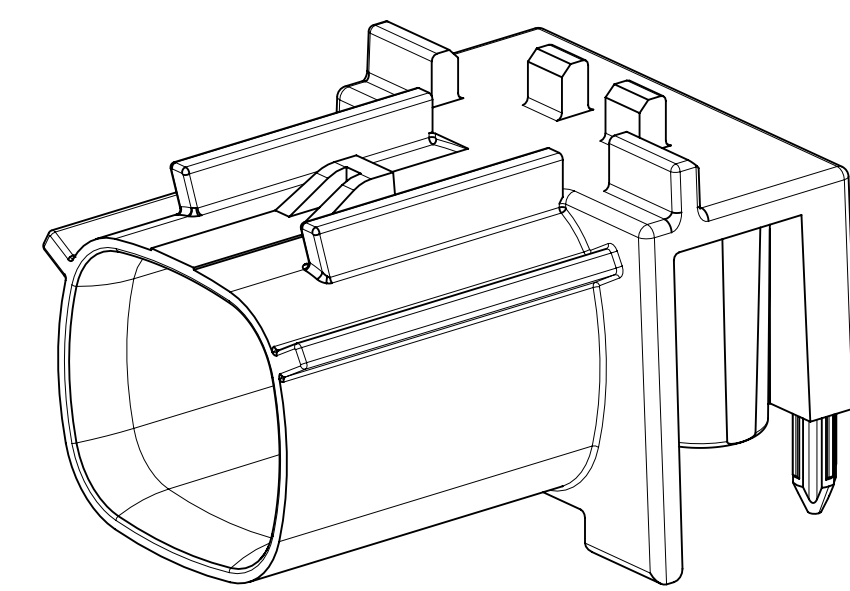
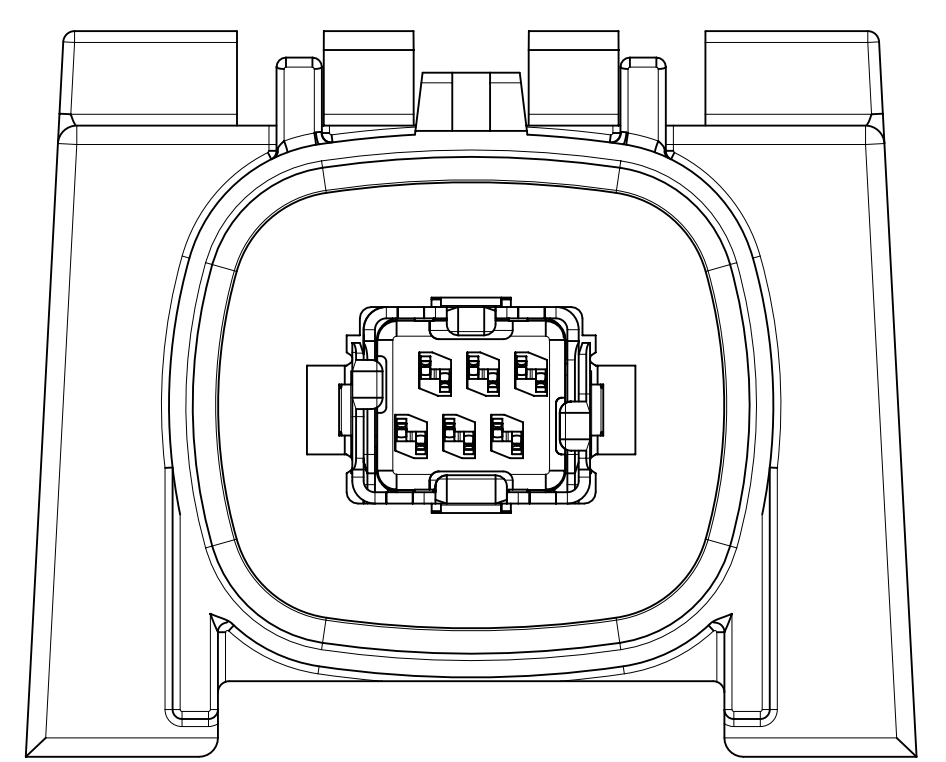


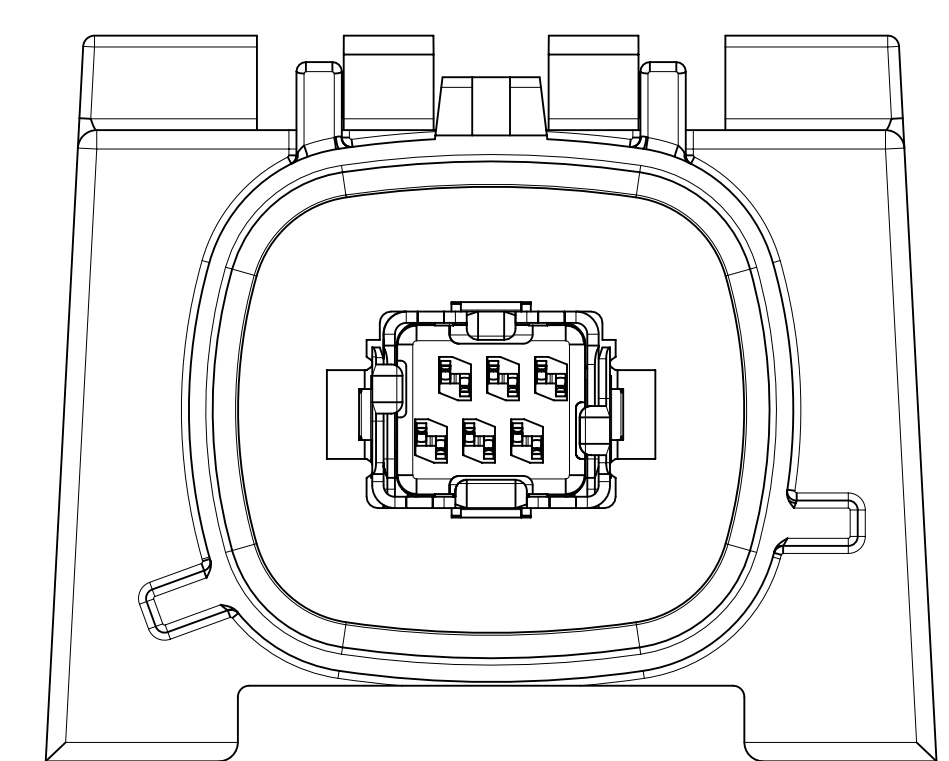
ITEM	DESCRIPTION	COLOR	QTY	QTY	QTY	QTY	QTY	QTY	QTY	QTY
1	6 CKT R/A HDR HSG - KEY A UNFLANGED	BLACK	1					1		
2	6 CKT R/A HDR HSG - KEY B UNFLANGED	GRAY		1				1		
3	6 CKT R/A HDR HSG - KEY C UNFLANGED	BROWN			1				1	
4	6 CKT R/A HDR HSG - KEY D UNFLANGED	GREEN				1				1
5	6 CKT R/A TERMINAL CORE ASSY	N/A	1	1	1	1				
6	6 CKT R/A TERMINAL CORE ASSY - SHORT TAIL	N/A					1	1	1	1



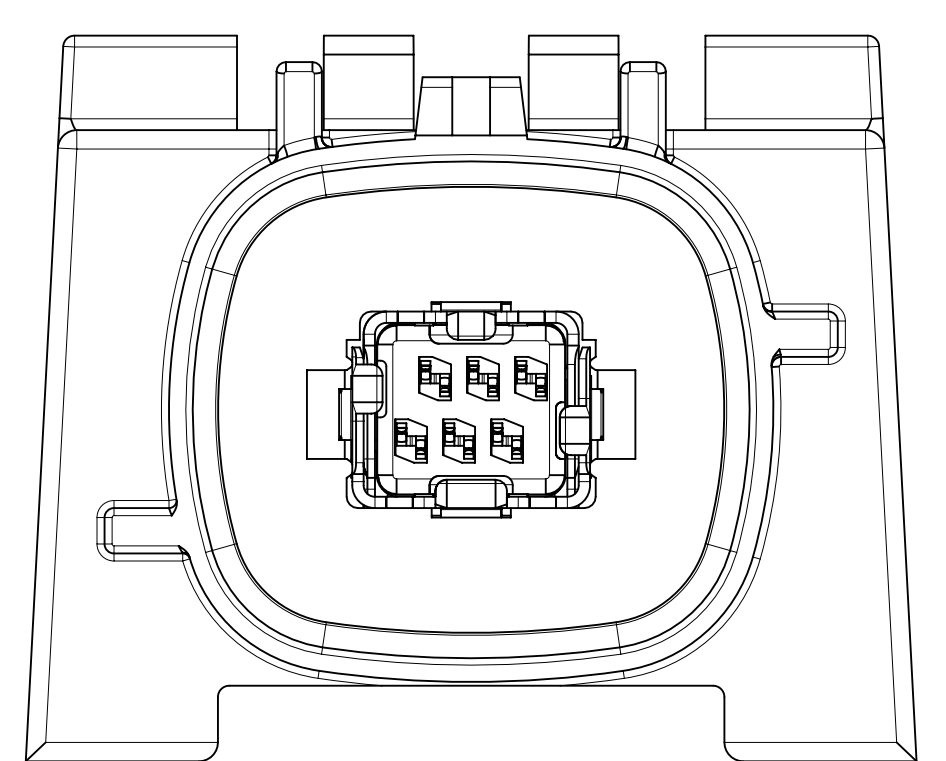
P/N: 34898-05X3
KEY OPTION 'A'
COLOR: BLACK



P/N: 34898-06X3
KEY OPTION 'B'
COLOR: GREY



P/N: 34898-07X3
KEY OPTION 'C'
COLOR: BROWN



P/N: 34898-08X3
KEY OPTION 'D'
COLOR: GREEN

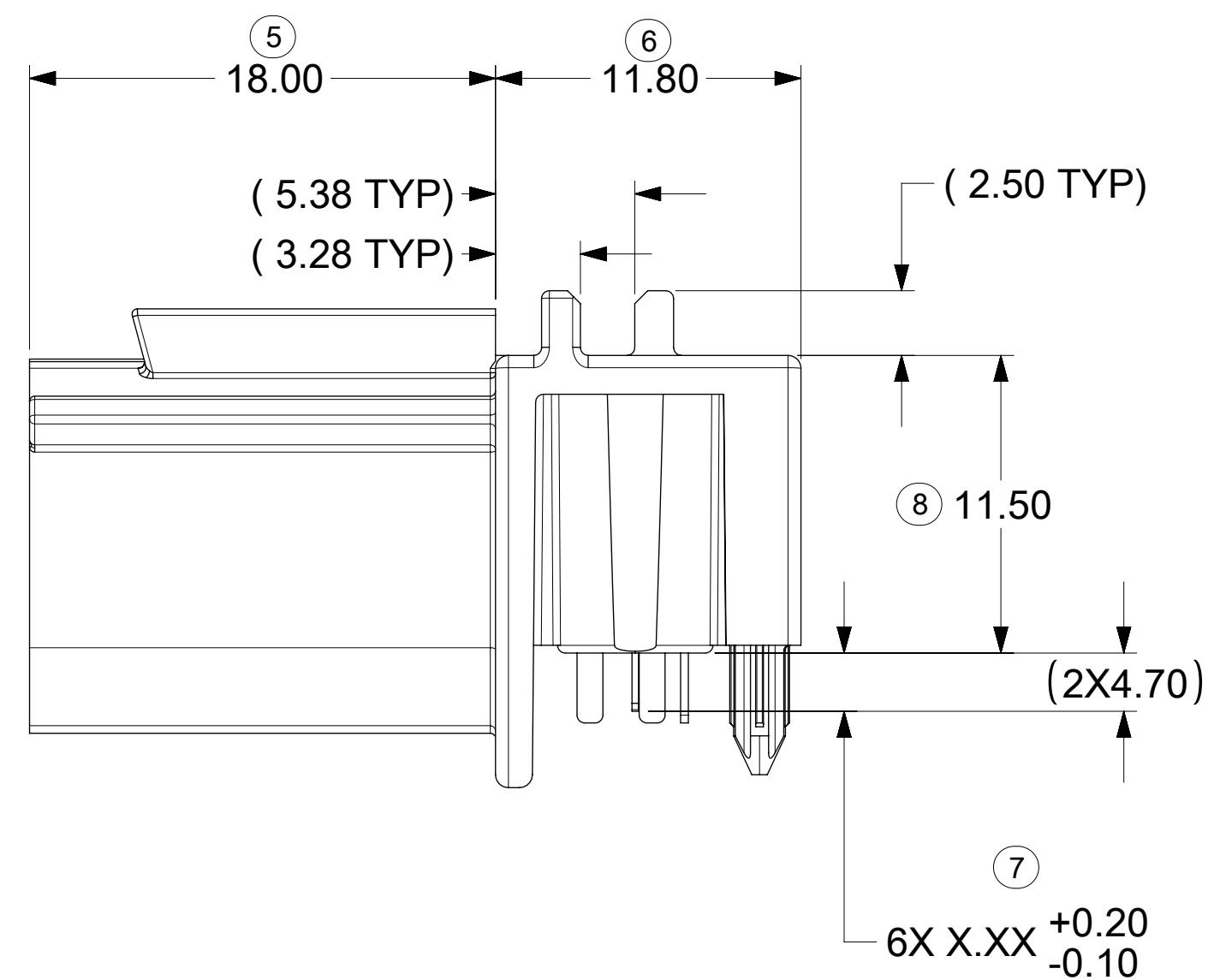
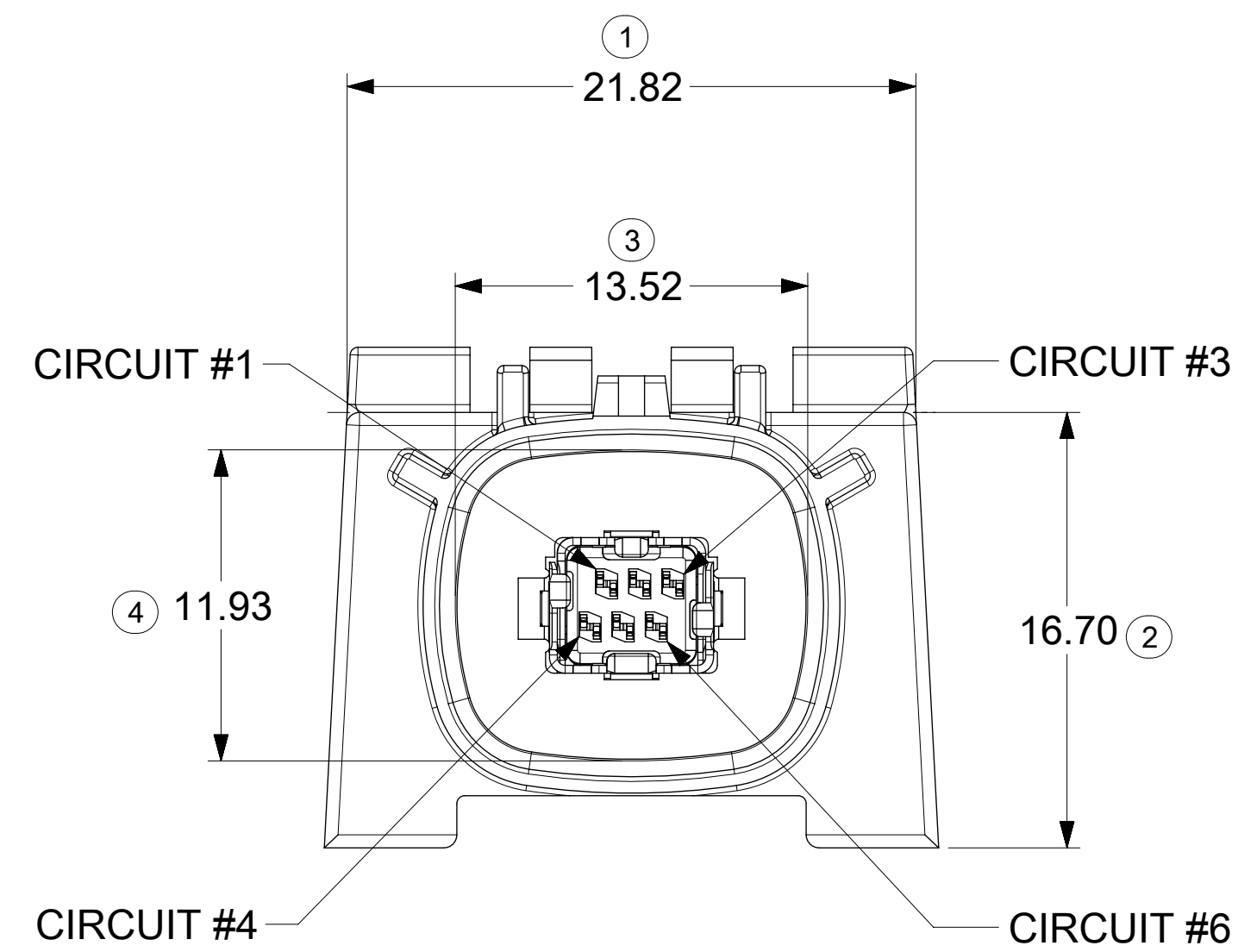
- NOTES: VALID UNLESS OTHERWISE SPECIFIED
- GENERAL:
 - APPLICATION SPECIFICATION: AS-111149-002
 - PRODUCT SPECIFICATION: PS-111149-001
 - PACKAGING SPECIFICATION PER MOLEX DRAWING: PK-31301-772
 - PARTS MUST BE IN COMPLIANCE TO THE CURRENT VERSION OF THE MOLEX CHEMICAL SUBSTANCES FOR PRODUCTS AND PACKAGING SPECIFICATION
 - DATA MUST BE SUBMITTED UNDER THE MOLEX PART NUMBER TO IMDS (COMPANY ID#13255)
 - PCB TO BE FR4 0.062" (1.57mm) THICK
 - MATING CONNECTOR MINIMUM CLEARANCE: AREA TO REMAIN CLEAR OF MODULE COMPONENTS, ADHESIVE, DEBRIS, ETC.
 - N/A
 - PCB MOUNTING BOSSES DESIGNED TO BE USED WITH THE FOLLOWING: #4-20 x .375" TRI-LOBULAR THREAD FORMING SCREW
RECOMMENDED ASSEMBLY TORQUE: 1.1 Nm +/- 0.11 Nm
 - DESIGN - MATERIALS:
 - HEADER HOUSING: SPS GF30
 - TERMINALS - COPPER ALLOY
OVERMOLDING - LCP GF30
MATE-SIDE PLATING: SELECTIVE GOLD OVER NICKEL
PCB SIDE PLATING: TIN OVER NICKEL
 - BISCUIT - SPS GF30
 - SHIELDS - COPPER ALLOY
PLATING - TIN OVER NICKEL
 - DESIGN - GEOMETRY:
 - ALL GRAPHIC DATA IS BASIC (NO TOLERANCE) AND MUST BE TAKEN FROM THE DATA FILE AT ITS LATEST REVISION.
 - N/A
 - GEOMETRIC DIMENSIONS AND TOLERANCES PER ASME Y14.5M-2009
 - EDGES AND UNDIMENSIONED DETAILS PER ISO13715
 - CORNERS SHOWN AS SHARP TO BE R 0.2 MAX.
 - LASER MARKING TO BE MARKED WITH HUMAN READABLE CODE (HRC)
 - PERMANENTLY APPLIED ON THE PART WITH 1.5mm LETTER SIZE
 - INFORMATION TO BE PRINTED
 - 5 DIGIT JULIAN MANUFACTURING DATE STAMP YYDDD

B6	UPDATED PCB LAYOUT - PIN HOLE DIA	SUDAYGUNAGI	2JULY2020
REV	DESCRIPTION	ENGINEER	DATE

THIS DRAWING CONTAINS INFORMATION THAT IS PROPRIETARY TO MOLEX ELECTRONIC TECHNOLOGIES, LLC AND SHOULD NOT BE USED WITHOUT WRITTEN PERMISSION

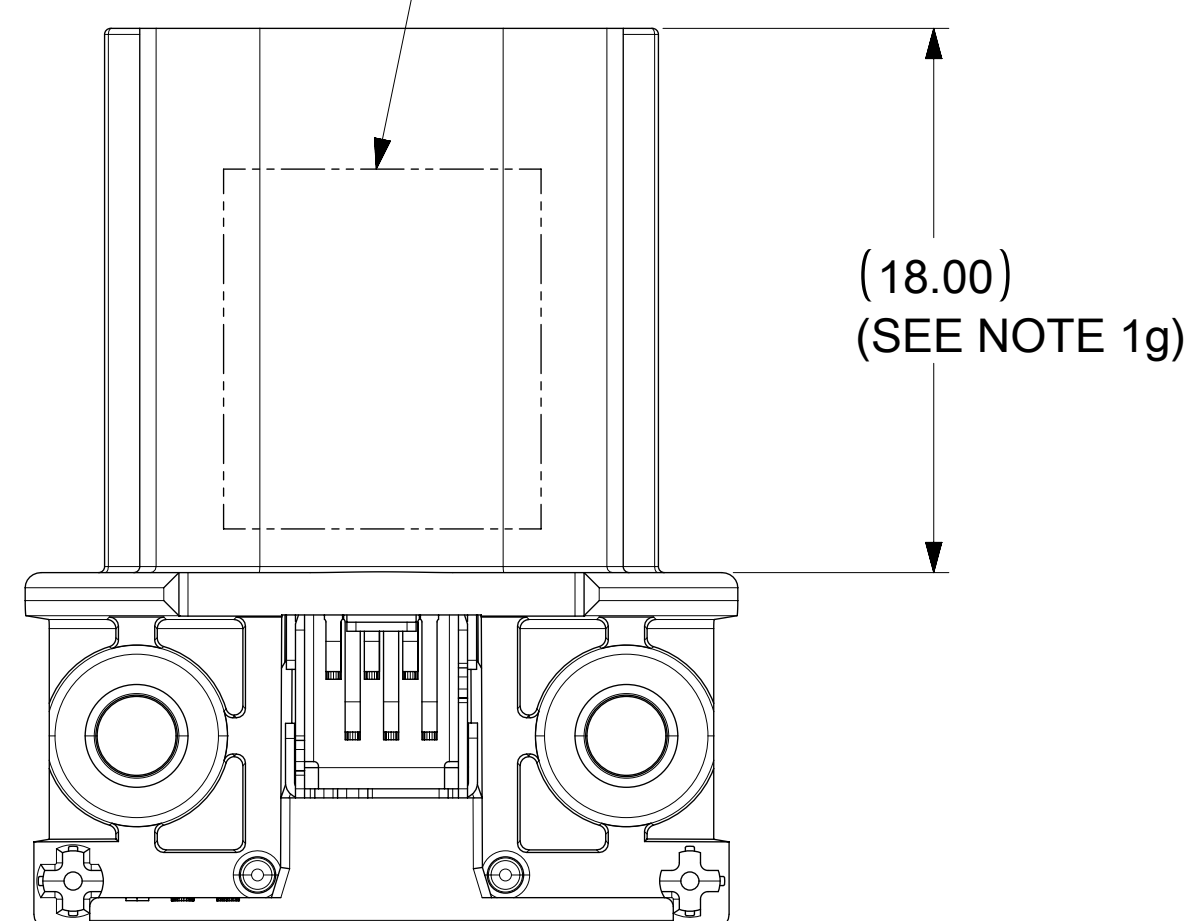
DIMENSION UNITS	SCALE	CURRENT REV DESC: UPDATED PCB LAYOUT - PIN HOLE DIA		molex				
mm								
GENERAL TOLERANCES (UNLESS SPECIFIED)		EC NO: 644293		6 CKT HSAUTOLINK II R/A SEALED HEADER ASM UNFLANGED				
ANGULAR TOL	± 1.0°	DRWN: SUDAYGUNAGI 2020/07/02						
4 PLACES	±	CHK'D: SMAMIDINAGAV 2020/08/21						
3 PLACES	±	APPR: DGILKEY 2020/09/01		PRODUCT CUSTOMER DRAWING				
2 PLACES	± 0.13	INITIAL REVISION:		DOCUMENT NUMBER				
1 PLACE	± 0.25	DRWN: DGILKEY 2016/07/05		SD-34898-002		DOC TYPE	DOC PART	REVISION
0 PLACES	±	APPR: DNAYLIS 2018/01/03		PSD 000		B6		
DRAFT WHERE APPLICABLE MUST REMAIN WITHIN DIMENSIONS		THIRD ANGLE PROJECTION	DRAWING	SERIES	MATERIAL NUMBER	CUSTOMER		SHEET NUMBER
			D-SIZE	34898	SEE TABLE	GENERAL MARKET		1 OF 3

DOCUMENT STATUS	P1	RELEASE DATE	2020/09/01	20:59:27
-----------------	----	--------------	------------	----------

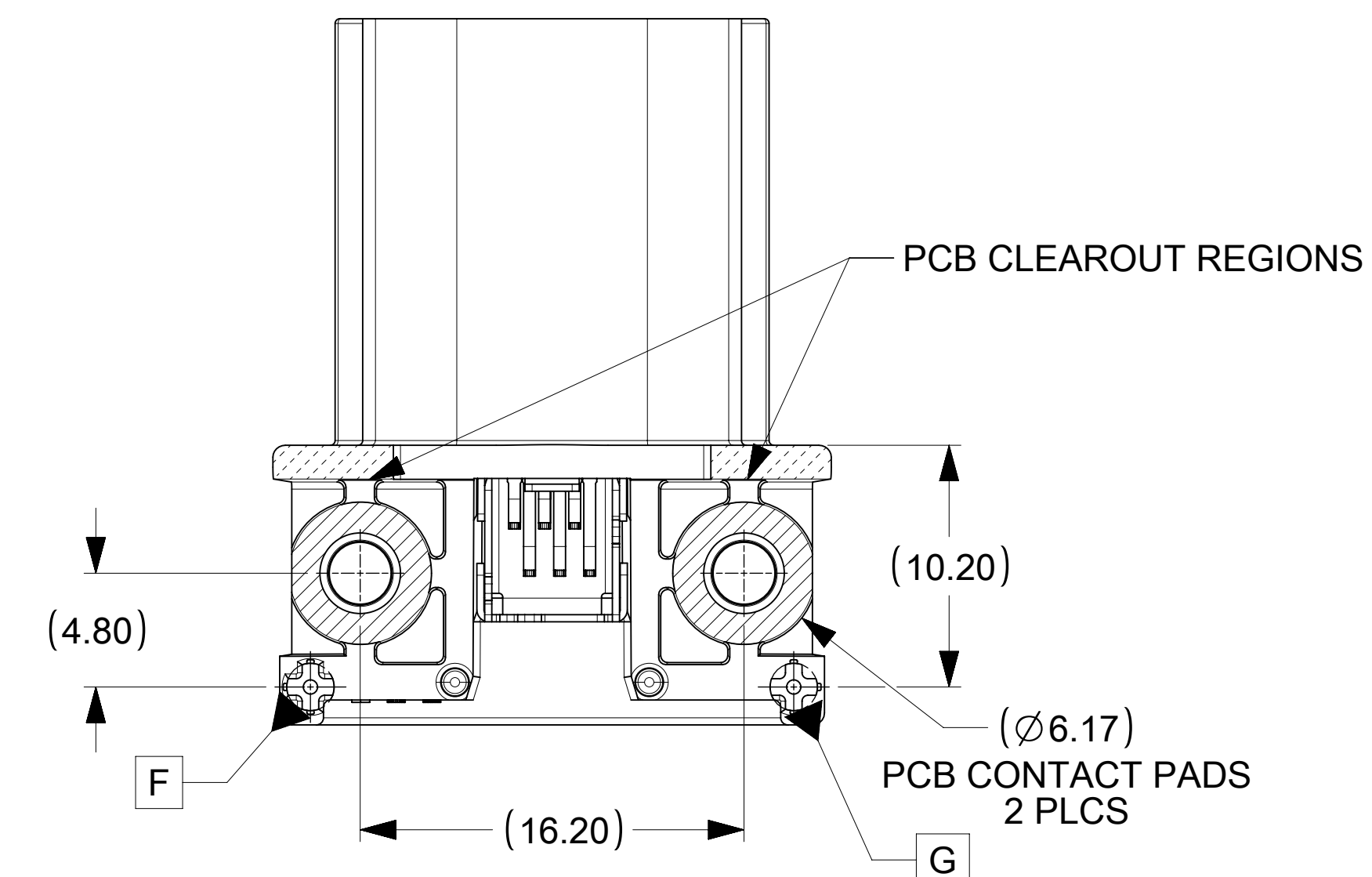


DIM 7	
PN	VALUE
34898-0X03	2.25
34898-0X13	1.75

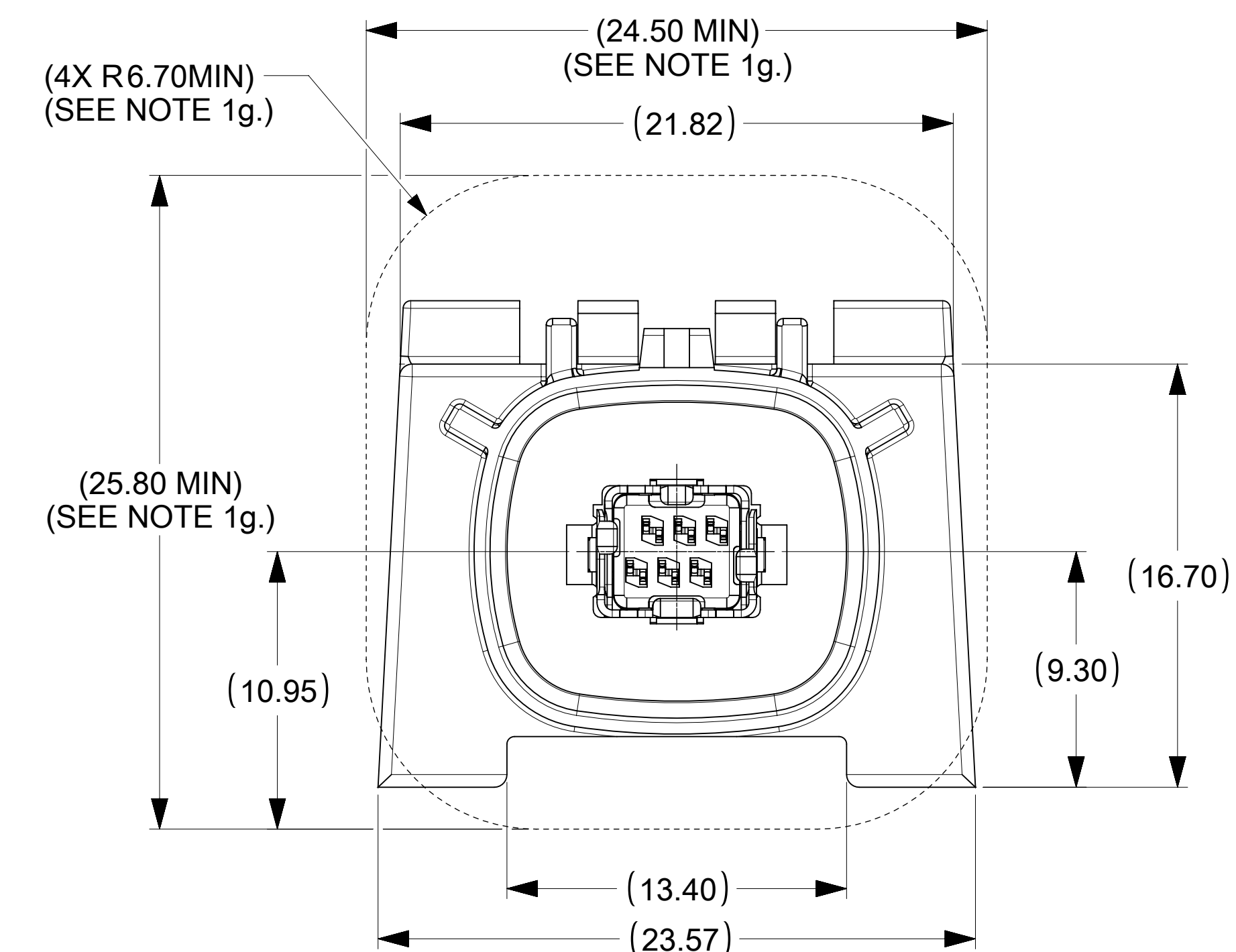
LASER MARKING TO BE SHOWN IN THIS LOCATION
SEE NOTE 4



PCB CLEAROUT REGIONS



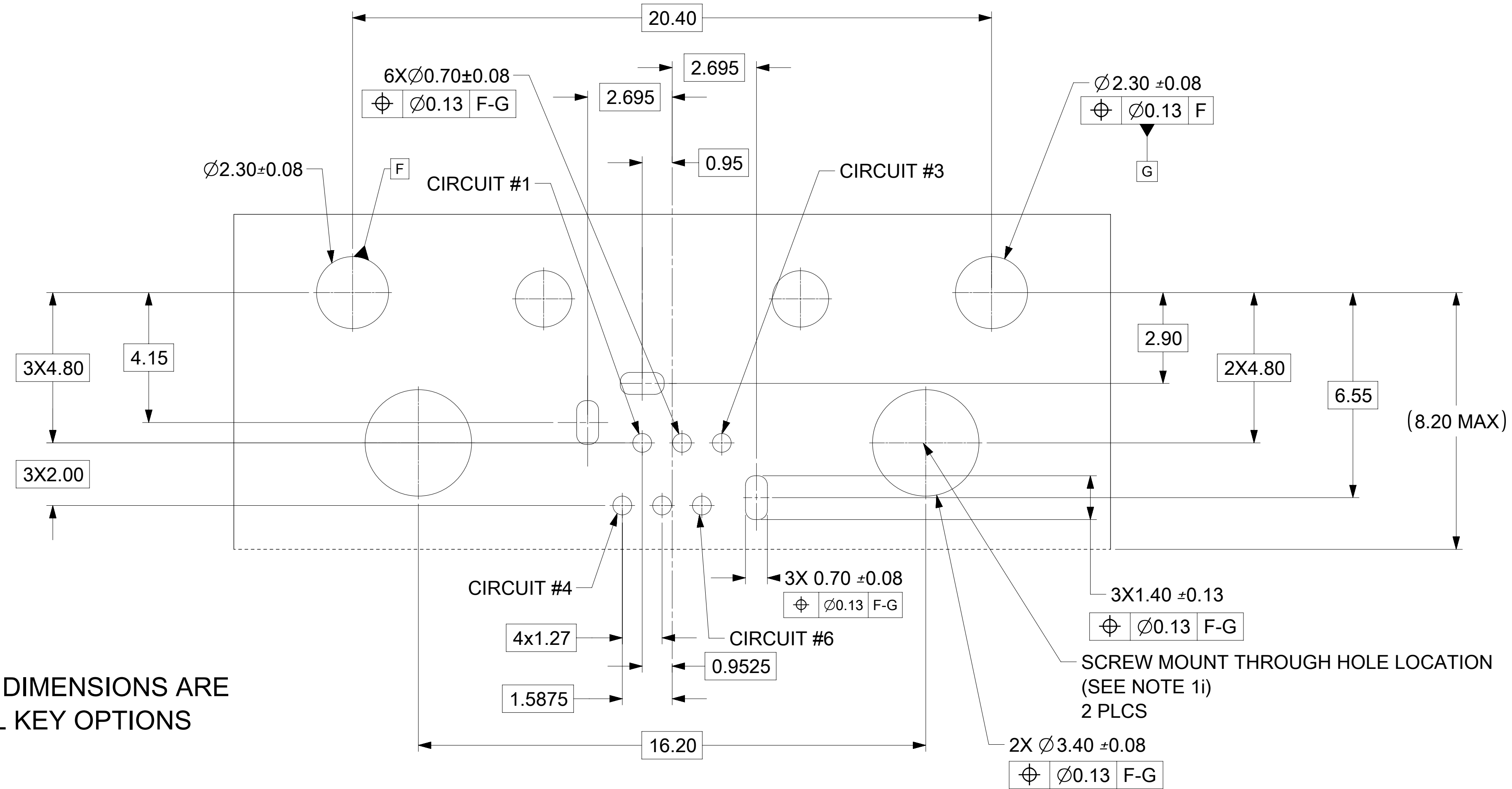
HEADER-TO-MODULE INTERFACE REQUIREMENTS



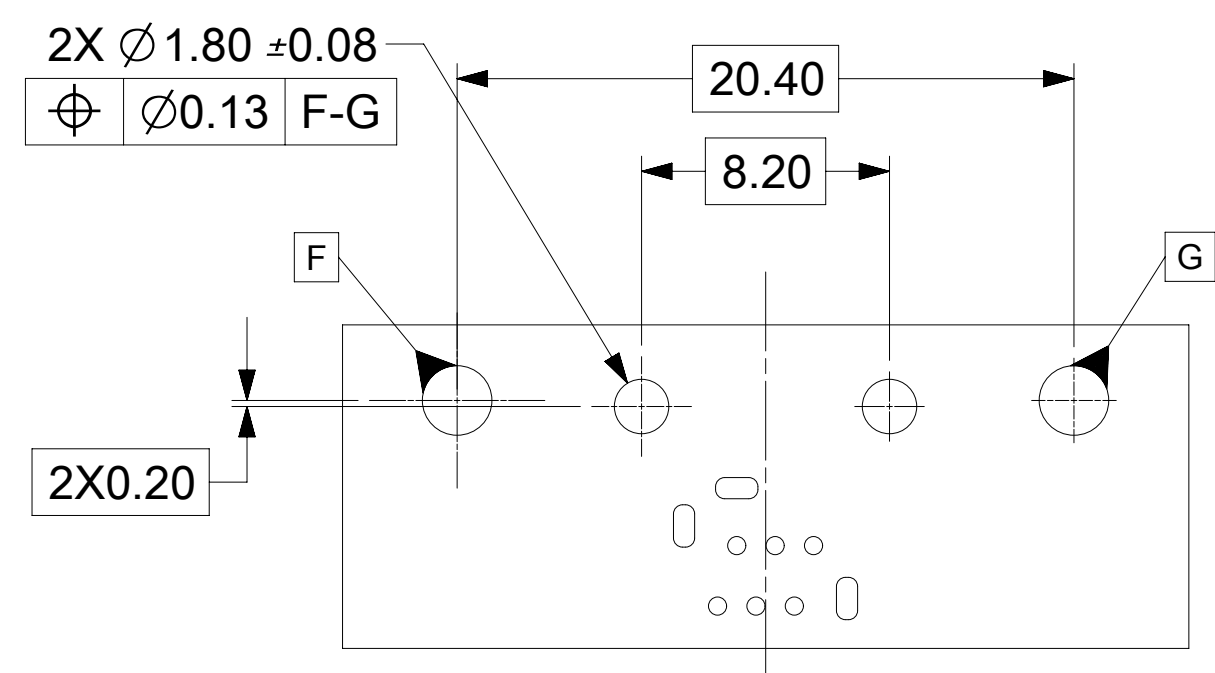
THIS DRAWING CONTAINS INFORMATION THAT IS PROPRIETARY TO MOLEX ELECTRONIC TECHNOLOGIES, LLC AND SHOULD NOT BE USED WITHOUT WRITTEN PERMISSION

DIMENSION UNITS	SCALE	CURRENT REV DESC:	molex		
mm		UPDATED PCB LAYOUT - PIN HOLE DIA	6 CKT HSAUTOLINK II R/A SEALED HEADER ASM UNFLANGED		
GENERAL TOLERANCES (UNLESS SPECIFIED)		EC NO: 644293	PRODUCT CUSTOMER DRAWING		
ANGULAR TOL	± 1.0°	DRWN: SUDAYGUNAGI 2020/07/02	DOCUMENT NUMBER	DOC TYPE	DOC PART
4 PLACES	±	CHK'D: SMAMIDINAGAV 2020/08/21	SD-34898-002	PSD	000
3 PLACES	±	APPR: DGILKEY 2020/09/01	REVISION		B6
2 PLACES	± 0.13	INITIAL REVISION:			
1 PLACE	± 0.25	DRWN: DGILKEY 2016/07/05			
0 PLACES	±	APPR: DNAYLIS 2018/01/03			
DRAFT WHERE APPLICABLE MUST REMAIN WITHIN DIMENSIONS	THIRD ANGLE PROJECTION	DRAWING SERIES	MATERIAL NUMBER	CUSTOMER	SHEET NUMBER
		D-SIZE 34898	SEE SHEET 1	GENERAL MARKET	2 OF 3

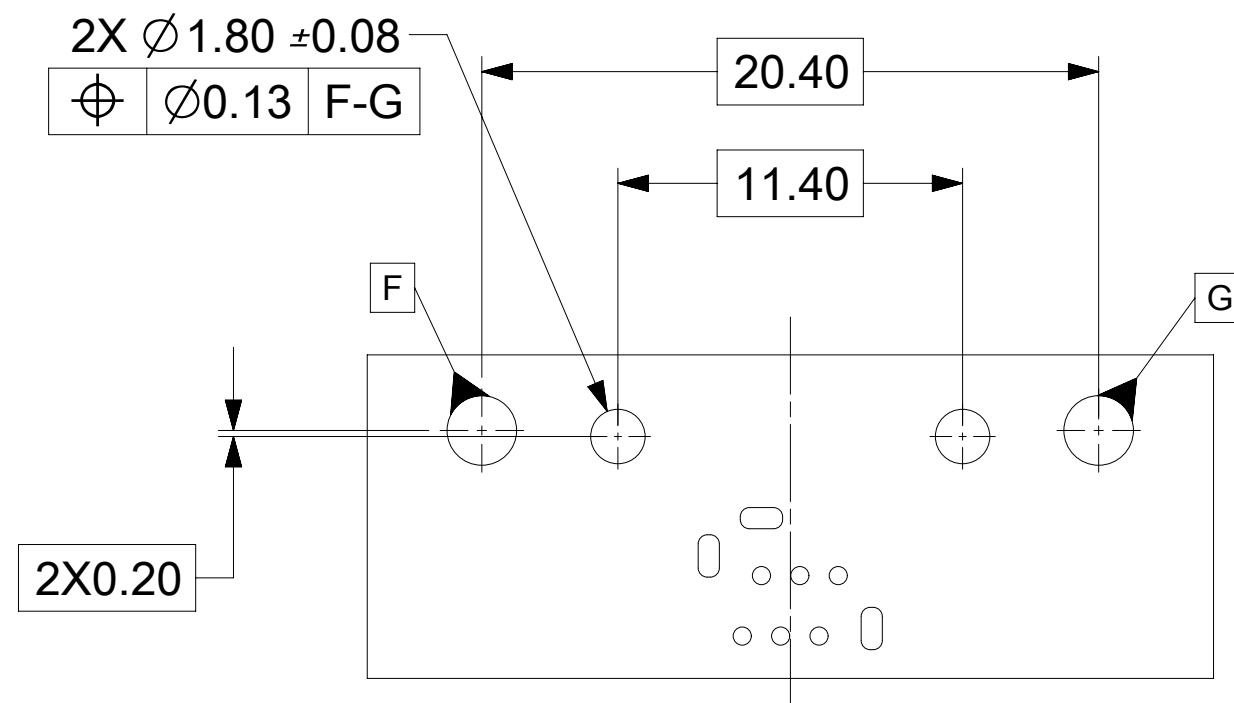
RECOMMENDED PCB LAYOUT - HEADER SIDE PCB



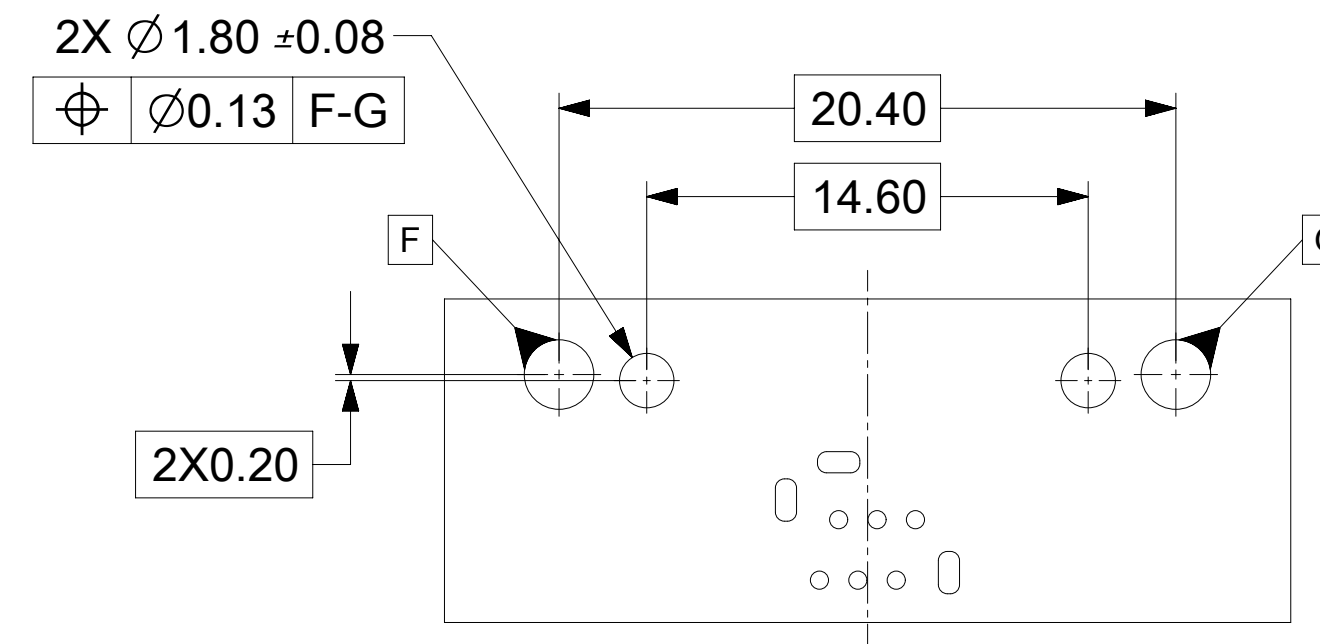
ALL THROUGH HOLE DIMENSIONS ARE APPLICABLE FOR ALL KEY OPTIONS



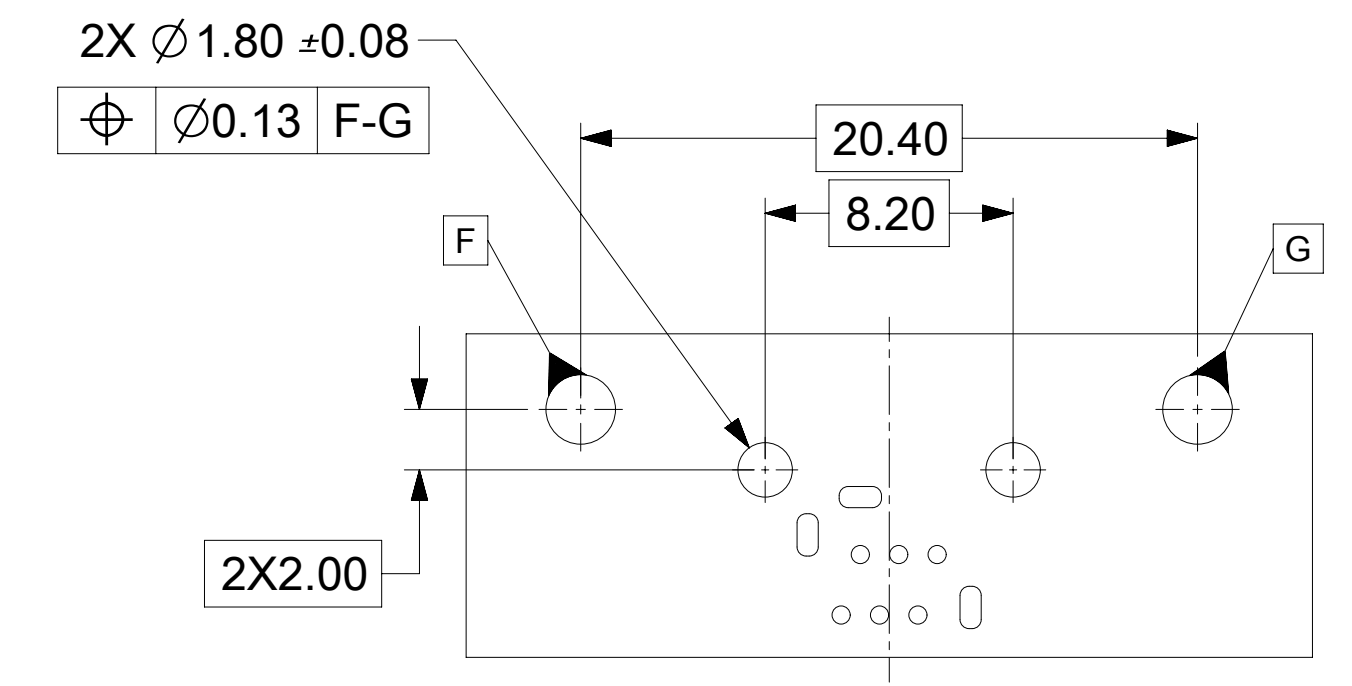
PCB KEY FEATURES OPTION 'A'



PCB KEY FEATURES OPTION 'B'



PCB KEY FEATURES OPTION 'C'



PCB KEY FEATURES OPTION 'D'

THIS DRAWING CONTAINS INFORMATION THAT IS PROPRIETARY TO MOLEX ELECTRONIC TECHNOLOGIES, LLC AND SHOULD NOT BE USED WITHOUT WRITTEN PERMISSION												
DIMENSION UNITS		SCALE		CURRENT REV DESC: UPDATED PCB LAYOUT - PIN HOLE DIA								
mm												
GENERAL TOLERANCES (UNLESS SPECIFIED)				EC NO: 644293		DRWN: SUDAYGUNAGI 2020/07/02		6 CKT HSAUTOLINK II R/A SEALED HEADER ASM UNFLANGED				
ANGULAR TOL ± 1.0°				CHK'D: SMAMIDINAGAV 2020/08/21		APPR: DGILKEY 2020/09/01						
4 PLACES ±				INITIAL REVISION:		DRWN: DGILKEY 2016/07/05		PRODUCT CUSTOMER DRAWING				
3 PLACES ±				DRWN: DNAYLIS 2018/01/03		APPR: DNAYLIS 2018/01/03		DOCUMENT NUMBER		DOC TYPE	DOC PART	REVISION
2 PLACES ± 0.13								SD-34898-002		PSD	000	B6
1 PLACE ± 0.25								MATERIAL NUMBER		CUSTOMER		SHEET NUMBER
0 PLACES ±								SEE SHEET 1		GENERAL MARKET		3 OF 3
DRAFT WHERE APPLICABLE MUST REMAIN WITHIN DIMENSIONS				THIRD ANGLE PROJECTION		DRAWING		SERIES				
						D-SIZE		34898				