

- 10/100 Base-T
- Designed to meet IEEE802.3af
- PoE up to 350mA
- RJ45 jack cavity conforms to FCC rules and regulations Part 68, SUB Part F
- Industrial Temp: -40°C to +85°C



Electrical Specifications @ 25°C

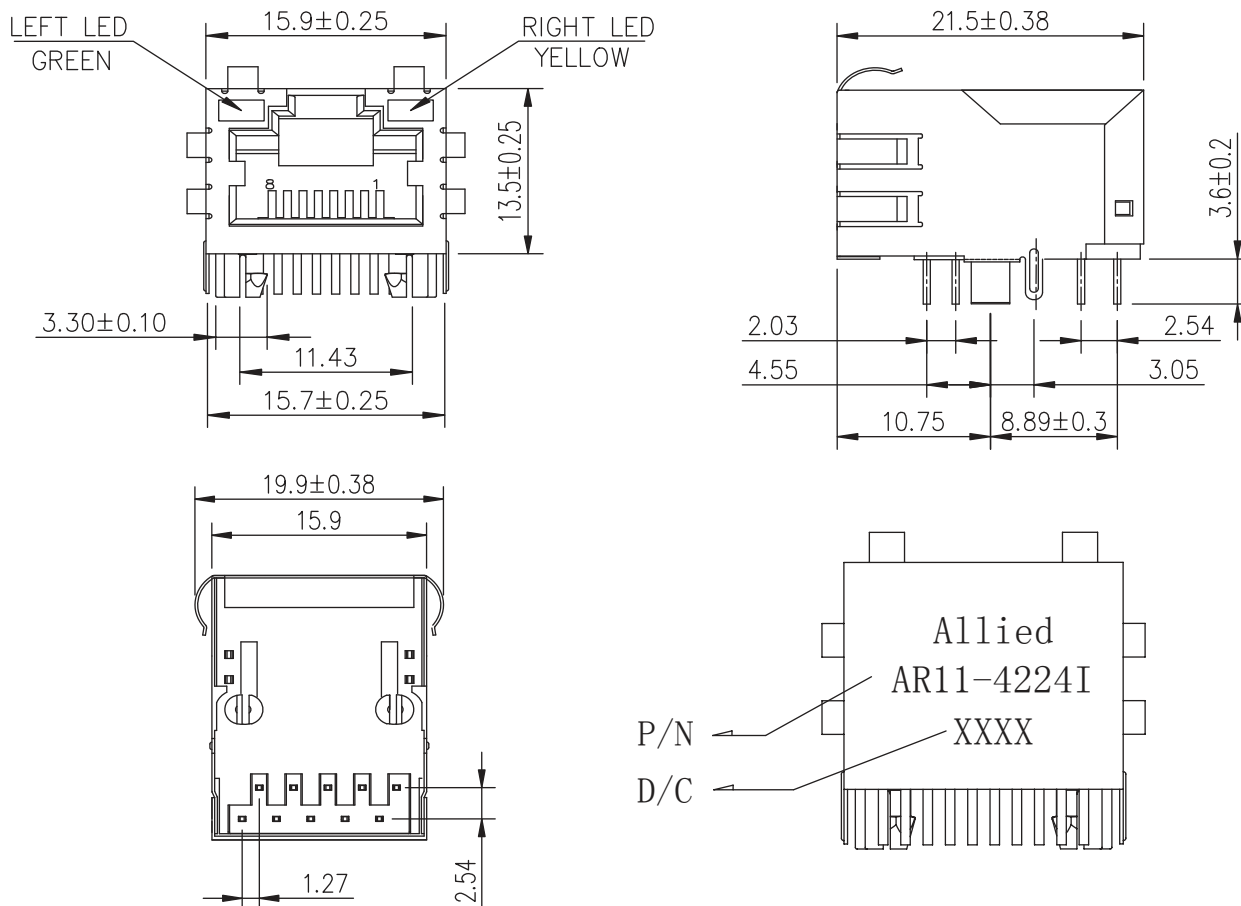
Part Number	OCL(uH Min) @100kHz, 100mVac	Turns Ratio @100KHz,0.1V P6-P5: J1-J2 P10-P9: J3-J6	Cross Talk (dB Min)	HI-POT
	With 8mA DC Bias		1-100MHz	
AR11-4224I	350	1:1±5%	-30	1500VAC

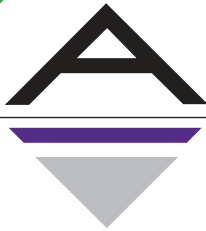
Electrical Specifications @ 25°C

Part Number	Insertion Loss (dB Max)	Return Loss (dB Min)				CMR (dB Min)
		1-30MHz	30-60MHz	60-80MHz	80-100MHz	
AR11-4224I	-1.0	-18	-16	-12	-10	-30

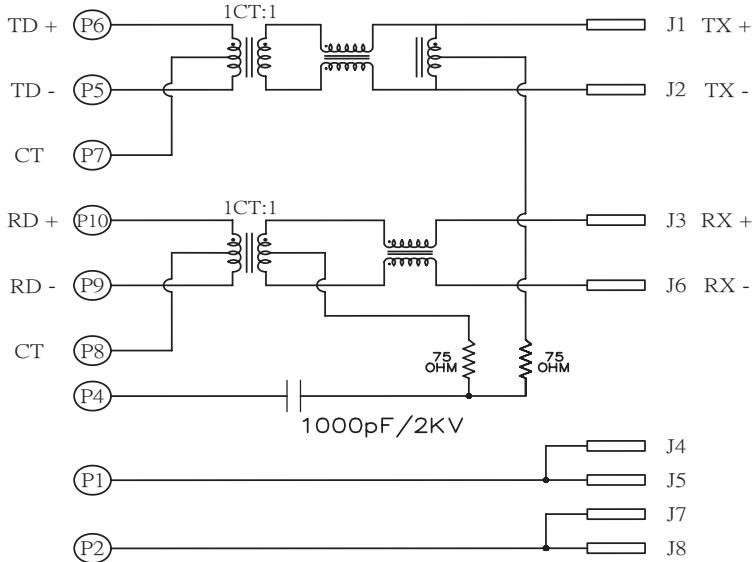
All specifications subject to change without notice.

MECHANICAL





SCHMATICS



LEFT LED
11+ 12- GREEN

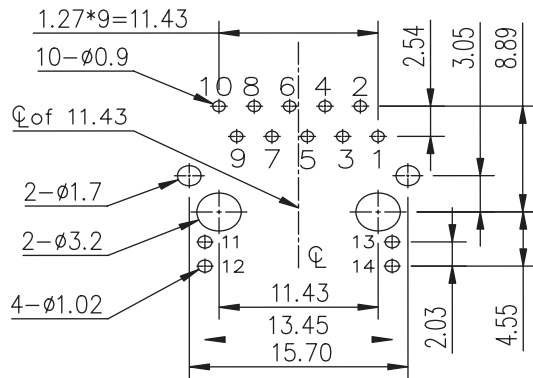


RIGHT LED
13+ 14- YELLOW



STANDARD LED	WAVELENGTH	FORWARD VOLTAGE	TYP
GREEN	565nm	2.5V MAX	2.2V
YELLOW	585nm	2.5V MAX	2.1V

PCB LAYOUT



RECOMMENDED PCB LAYOUT
TOLERANCE ±0.05mm(T=1.6mm)

NOTES

1. Shielded – 0.20mm THICKNESS BRASS C2680 H. PLATING NICKEL 20u” min.
2. Housing– Standard Material Nylon66, Glass Filled Polyester UL94V-0 Standed Color Black.
3. Contact Pin– Plastic: Nylon66 UL94V-0, Standard Color Black. Pin: 0.35mm Thickness Phos-Bronze C5210 EH. Plating: Nickel 30u”~60u” for all and Sn 100%, and Gold Plating 50u”.
4. Insert Pin– Plastic: Nylon66, Glass Filled, UL94V-0, Standard Color Black. Pin: 0.35mm Thickness SUS430. Plating: Nickel 30u”~60u” for all and Sn 100%.