



PRODUCT NUMBER
75189-XXX-XXLF

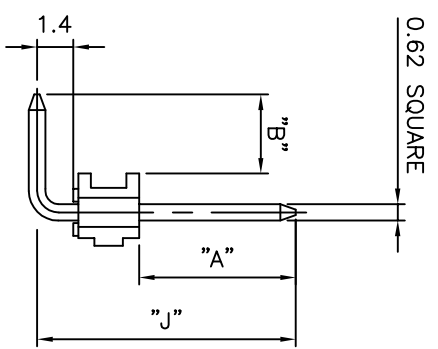
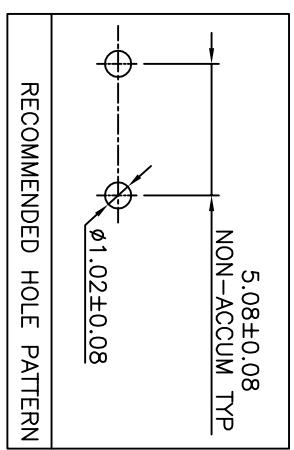
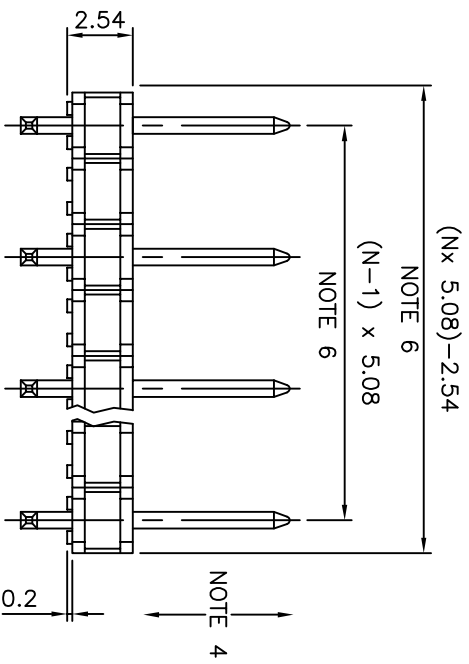
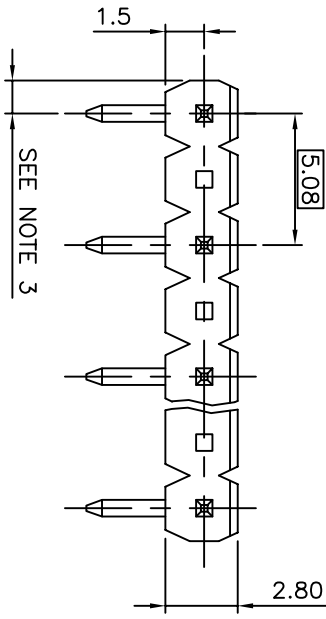
ROHS COMPLIANT & COMPATIBLE, SEE NOTE 7
NUMBER OF CONTACTS, 2 TO 18.
PIN STYLE

STYLE	"A" ± 0.2	"B" ± 0.35	"J" REF
01	5.72	2.57	9.65
13	5.72	3.45	9.65

PLATING:
1 = 0.76um FULL GOLD
1.27um Ni MIN UNDERPLATING

NOTES:

- HOUSING MAT'L : HIGH TEMPERATURE THERMOPLASTIC FLAME RETARDANT PER UL94-V0, COLOR BLACK.
- PIN MATERIAL : PHOSPHOR BRONZE.
- DIM 1.27^{+0.03}_{-0.13} FOR MOULDED SIDE(S) ONLY. IF SIDE(S) ARE BROKEN, DIM 1.02 TO 1.7 MAX APPLIES.
- PIN PUSH OUT FORCE : 12N MIN.
- PRODUCT PACKAGED IN POLY BAGS.
- TO DETERMINE DIMENSIONS :
N = NUMBER OF CONTACTS
- ROHS COMPATIBLE PRODUCT SPECIFICATIONS
 - LF MEANS THE PRODUCT IS LEAD-FREE
 - MANUFACTURING PROCESS COMPATIBILITY
 - THE HOUSING WILL WITHSTAND EXPOSURE TO 260°C $\pm 5^\circ\text{C}$ SOLDER BATH TEMPERATURE FOR 5 SECONDS IN A WAVE SOLDER APPLICATION WITH A 1.6mm MIN THICK CIRCUIT BOARD.
 - MEETS PACKAGING SPECS AS PER GS-14-920
 - LABELLING:
 - LEGAL STATEMENT: SEE GS-47-0004



mat'l. code		surface		tolerance		projection		product family	
ltr	ecn no	dr	date	ISO 1302	ISO 406	ISO 1001	mm	title	BSTIK
H	F10076	LMC	91.02.25	tolerances unless otherwise specified	X ± 0.3		mm	HEADER, SR, RA,	
J	F05-0188	JCO	05.06.09	linear	xxx ± 0.15		scale 5:1	POL 5.08mm	
K	F06-0198	LMU	06.06.20		xxx ± 0.05				
L	B-19261	LMU	14.10.31						
		engr	J.COMPAIGNON						
		dhr							
		appr	JCO						
		sheet	revision						
		index	sheet						
								type CUSTOMER Drawing	
								dwg no 75189 sheet 1 of 1 size A3	