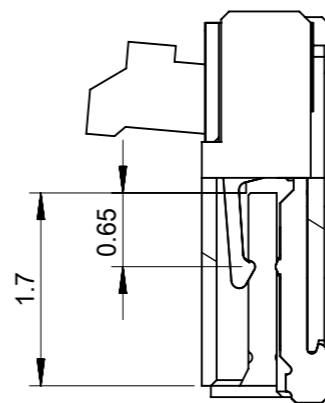
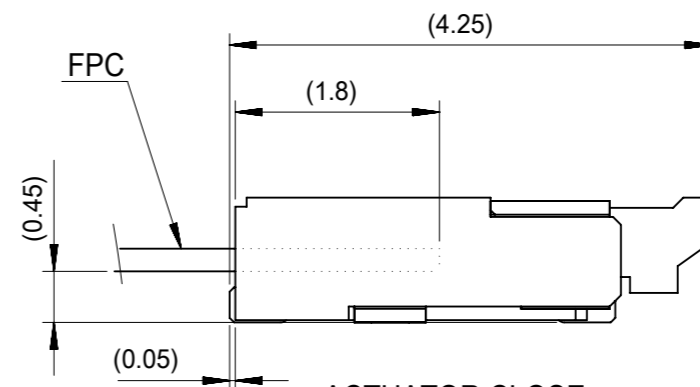
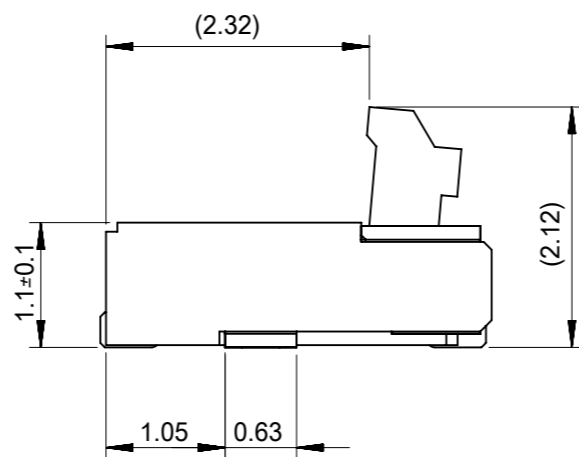


SECTION Z-Z



SECTION Y-Y



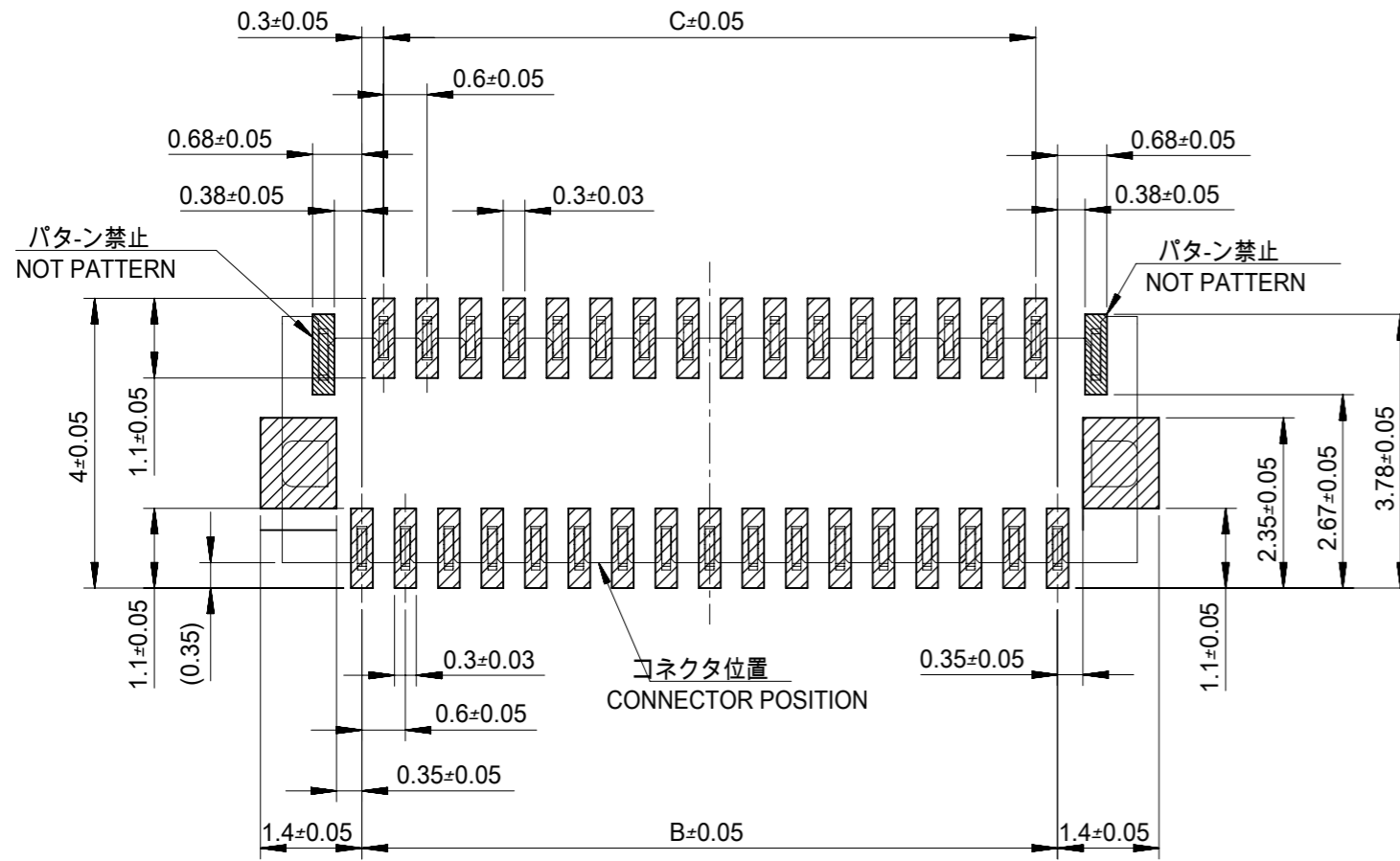
ACTUATOR CLOSE

部品構成

- ハウジング・・・材質：耐熱性樹脂 黒色 UL94V-0  
HOUSING  
MATERIAL :HEAT RESISTANT POLYMER BLACK UL94-V0
- 奇数タ-ミナル・・・材質：銅合金  
ODD TERMINAL MATERIAL :COPPER ALLOY  
処理：ニッケル下地部分金メッキ (接触部及びテ-ル部)  
FINISH :PARTLY GOLD(CONTACT, TAIL) OVER NICKEL PLATING
- 偶数タ-ミナル・・・材質：銅合金  
EVEN TERMINAL MATERIAL: COPPER ALLOY  
処理：ニッケル下地部分金メッキ (接触部及びテ-ル部)  
FINISH :PARTLY GOLD(CONTACT, TAIL) OVER NICKEL PLATING
- アクチュエ-タ・・・材質：耐熱性樹脂 灰色 UL94V-0  
ACTUATOR  
MATERIAL :HEAT RESISTANT POLYMER GRAY UL94-V0
- ネイル・・・材質：銅合金  
NAIL MATERIAL: COPPER ALLOY  
処理：ニッケル下地すずめつき  
FINISH :TIN OVER NICKEL PLATING

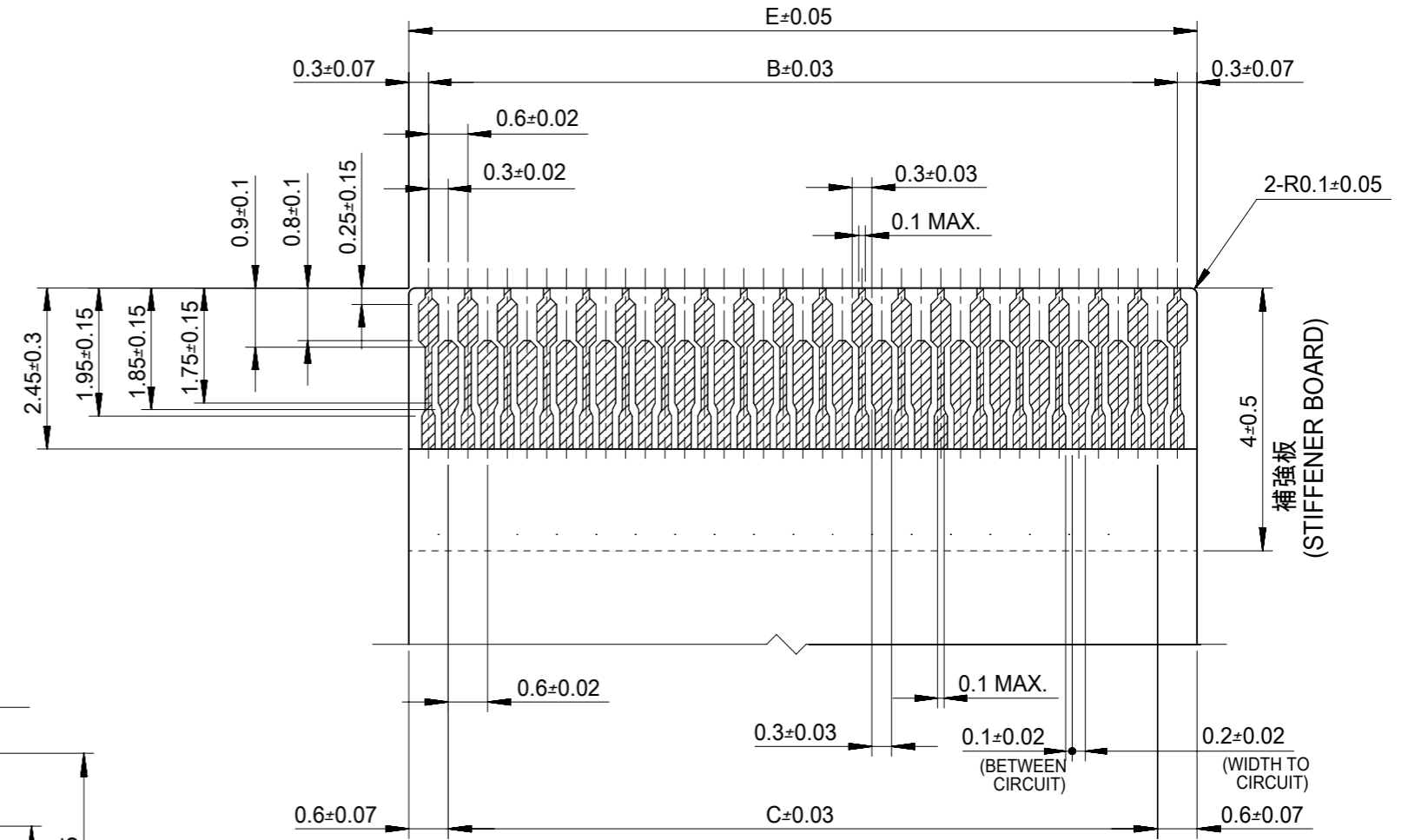
15.6	15.8	14.4	15.0	17.2	501616-5185	501616-5150	51
13.8	14.0	12.6	13.2	15.4	501616-4585	501616-4550	45
12.0	12.2	10.8	11.4	13.6	501616-3985	501616-3950	39
10.8	11.0	9.6	10.2	12.4	501616-3585	501616-3550	35
E	D	(C)	(B)	A	EMBOSSED TAPE	MATERIAL NO.	CIRCUIT
					ORDER No.		

THIS DRAWING CONTAINS INFORMATION THAT IS PROPRIETARY TO MOLEX ELECTRONIC TECHNOLOGIES, LLC AND SHOULD NOT BE USED WITHOUT WRITTEN PERMISSION							
DIMENSION UNITS		SCALE		CURRENT REV DESC:			
mm		15:1					
GENERAL TOLERANCES (UNLESS SPECIFIED)							
		MM	INCH				
4 PLACES	± 0.2	±		EC NO: 174752			
3 PLACES	± 0.25	±		DRWN: GB 2018/04/09			
2 PLACES	± 0.3	±		CHK'D: GGA 2018/05/18			
1 PLACE	± 0.1	±		APPR: GGA 2018/05/18			
0 PLACES	±	±		INITIAL REVISION:			
ANGULAR TOL		± 3.0°		DRWN: K.SATO 2007/01/26			
				APPR: M.SASAO 2007/01/26			
DRAFT WHERE APPLICABLE MUST REMAIN WITHIN DIMENSIONS		THIRD ANGLE PROJECTION		DRAWING	SERIES	MATERIAL NUMBER	CUSTOMER
				A3-SIZE	501616	SEE CHART	GENERAL MARKET
DOCUMENT STATUS		P1	RELEASE DATE	2018/05/18	11:55:28		
						SD-501616-007	PSD 001 D
							1 OF 2



参考基板レイアウト (マウント面)  
P.C. BOARD PATTERN  
DIM.(REF.)

注記  
 1. 基板実装前にアクチュエータを操作しないで下さい。  
 PLEASE DO NOT OPERATE THE ACTUATOR BEFORE MOUNTING.  
 必ず基板に実装し、FPCを挿入してからアクチュエータを操作して下さい。  
 PLEASE OPERATE THE ACTUATOR AFTER MOUNTING ON  
 THE SUBSTRATE, AND MATING FPC.  
 2. ELV及びRoHS適合品  
 ELV AND RoHS COMPLIANT  
 3. 本製品は上面接触品です。下面接続で使用しないでください。  
 THIS CONNECTOR IS UPPER CONTACT TYPE.  
 PLEASE DO NOT USE AS LOWER CONTACT TYPE.

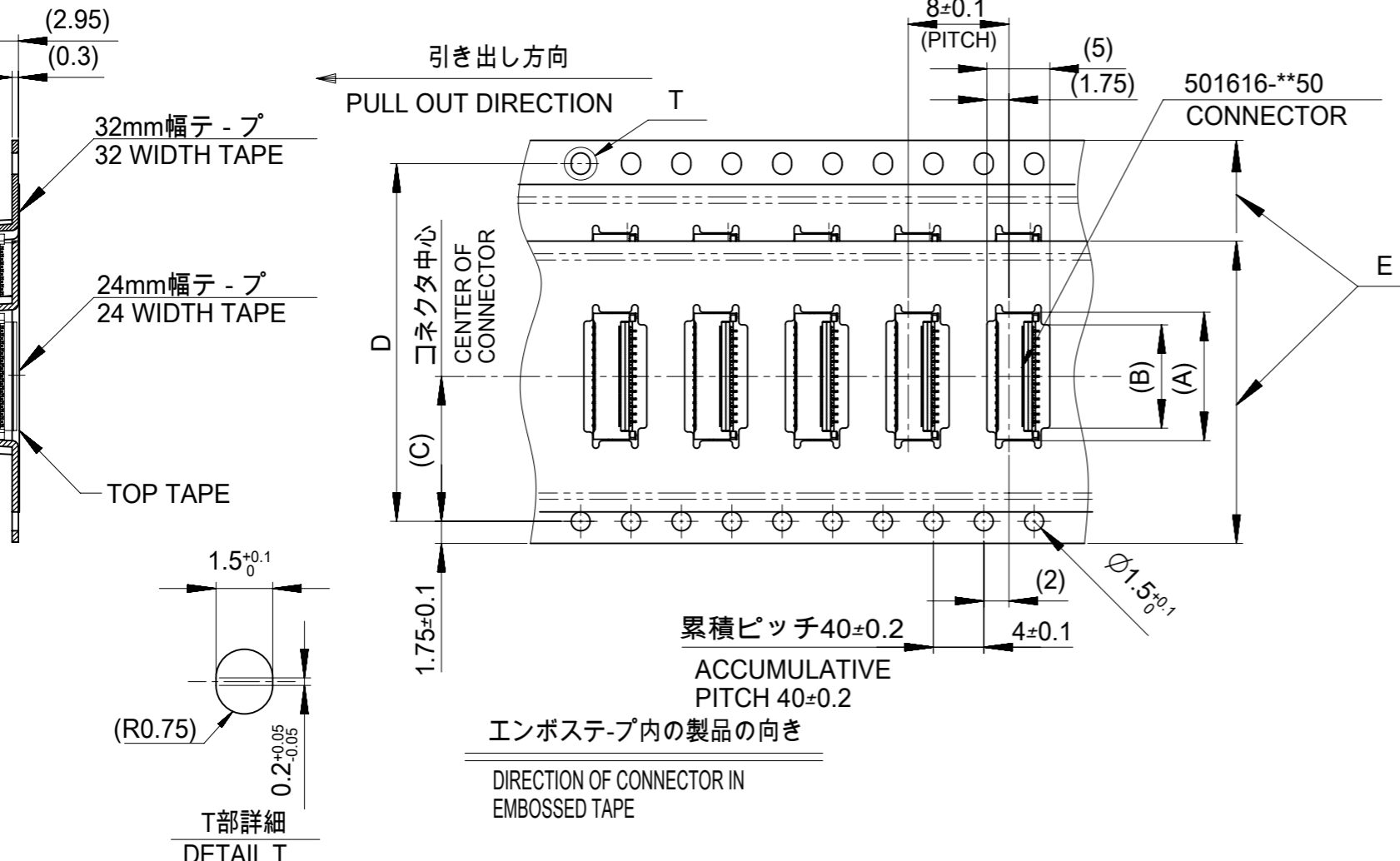
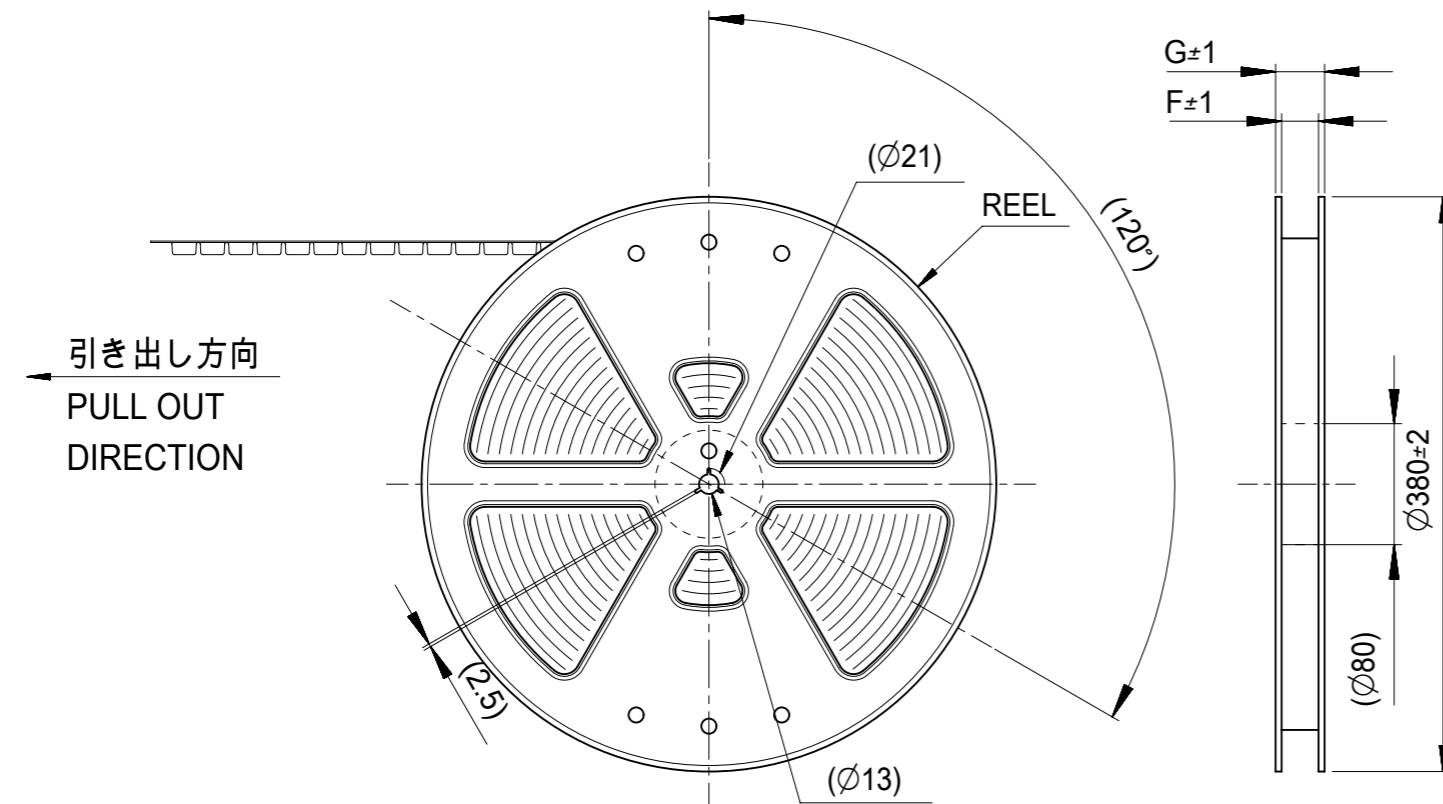


適合FPC推奨寸法  
 仕上がり厚さ : 0.2±0.03  
 APPLY FPC  
 RECOMMENDED DIM.  
 THICKNESS : 0.2±0.03

15.6	14.4	15.0	501616-5185	501616-5150	51
13.8	12.6	13.2	501616-4585	501616-4550	45
12.0	10.8	11.4	501616-3985	501616-3950	39
10.8	9.6	10.2	501616-3585	501616-3550	35
E	C	B	EMBOSSED TAPE ORDER No.	MATERIAL NO.	CIRCUIT

THIS DRAWING CONTAINS INFORMATION THAT IS PROPRIETARY TO MOLEX ELECTRONIC TECHNOLOGIES, LLC AND SHOULD NOT BE USED WITHOUT WRITTEN PERMISSION

DIMENSION UNITS	SCALE	CURRENT REV DESC:							
mm	10:1	<b>molex</b> 0.3 FPC CONN. E/O H=1.1 HSG ASSY LONG ACTUATOR PRODUCT CUSTOMER DRAWING							
GENERAL TOLERANCES (UNLESS SPECIFIED)						EC NO: 174752		DOCUMENT NUMBER	
						DRWN: GB 2018/04/09		SD-501616-007	
						CHK'D: GGA 2018/05/18		DOC TYPE DOC PART REVISION	
		APPR: GGA 2018/05/18		PSD 001 D					
4 PLACES ± 0.2 ±		INITIAL REVISION:		MATERIAL NUMBER					
3 PLACES ± 0.25 ±		DRWN: K.SATO 2007/01/26		CUSTOMER					
2 PLACES ± 0.3 ±		APPR: M.SASAO 2007/01/26		GENERAL MARKET					
1 PLACE ± 0.1 ±		DRAFT WHERE APPLICABLE MUST REMAIN WITHIN DIMENSIONS		SHEET NUMBER					
0 PLACES ± ±		THIRD ANGLE PROJECTION		2 OF 2					
ANGULAR TOL ± 3.0°		DRAWING							
		A3-SIZE							
		SERIES							
		501616							

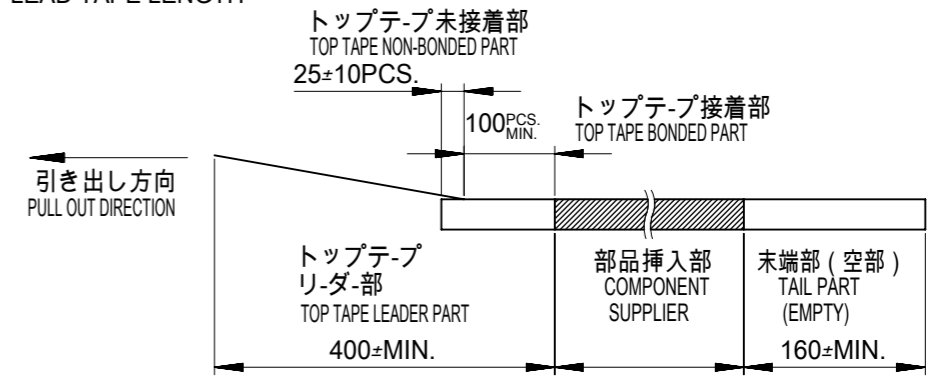


**NOTES**

1. 製品 (501616-\*\*50) の詳細寸法については、  
 図面 SD-501616-007 をご参照下さい。  
 IN THE PACKAGE, PART NO. 501616-\*\*50 DETAILED DIMENSIONS,  
 REFER TO SALES DRAWING NO. SD-501616-007.

2. 梱包数量 : 3000個/リル  
 NUMBER OF CONNECTORS : 3000 PCS/REEL

3. リドテープ長さ  
 LEAD TAPE LENGTH



4. 材料  
 キャリアテープ : ポリスチレン (PS)  
 トップテープ : PET, PE, PEF  
 リル : ポリスチレン (PS) <リサイクル材を含む>  
 MATERIAL  
 CARRIER TAPE : POLYSTYRENE (PS)  
 TOP TAPE : PET, PE, PEF  
 REEL : POLYSTYRENE (PS) <RECYCLE MATERIAL CONTAINED>  
 5. ELV及びRoHS適合品  
 ELV AND RoHS COMPLIANT

37.4	33.4	32±0.3	28.4	14.2	15.4	17.4	501616-5185	51	
29.4	25.4	24±0.3	++	11.5	13.6	15.6	501616-4585	45	
					11.8	13.8	501616-3985	39	
					10.6	12.6	501616-3585	35	
G	F	E キャリアテープ幅 EMBOSSED TAPE WIDTH		D	C	B	A	EMBOSSED PACKAGE オーダー番号 ORDER No.	極数 CIRCUIT

THIS DRAWING CONTAINS INFORMATION THAT IS PROPRIETARY TO MOLEX ELECTRONIC TECHNOLOGIES, LLC AND SHOULD NOT BE USED WITHOUT WRITTEN PERMISSION

DIMENSION UNITS	SCALE	CURRENT REV DESC:	<b>molex</b>		
mm	NTS				
GENERAL TOLERANCES (UNLESS SPECIFIED)			0.3 FPC CONN. H=1.1 EMBSTP PKG (LONG-ACT)		
4 PLACES ±			EC NO: 174752		
3 PLACES ±			DRWN: GB 2018/04/09		
2 PLACES ±			CHK'D: GGA 2018/05/18		
1 PLACE ± 0.1			APPR: GGA 2018/05/18		
0 PLACES ±			INITIAL REVISION:		
ANGULAR TOL ± °			DRWN: K. SATO 2007/05/14		
DRAFT WHERE APPLICABLE MUST REMAIN WITHIN DIMENSIONS			APPR: M. SASAO 2007/05/14		
THIRD ANGLE PROJECTION		DRAWING	SERIES	MATERIAL NUMBER	CUSTOMER
A3-SIZE		A3-SIZE	501616	SEE CHART	GENERAL MARKET

DOCUMENT NUMBER	DOC TYPE	DOC PART	REVISION
SD-501616-008	PSD	001	D
SHEET NUMBER		1 OF 1	