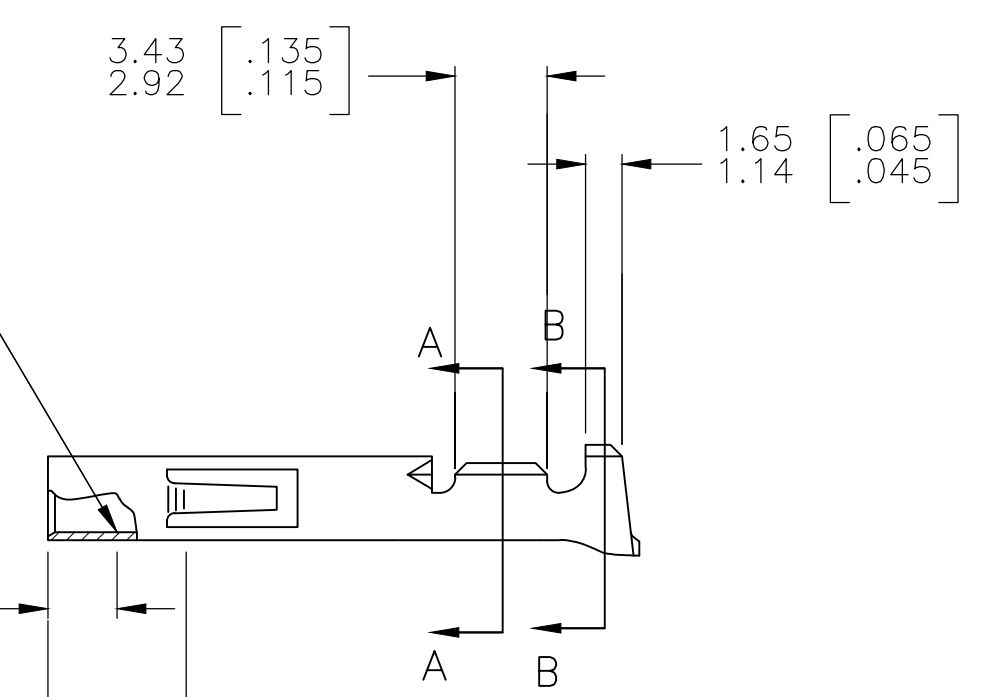
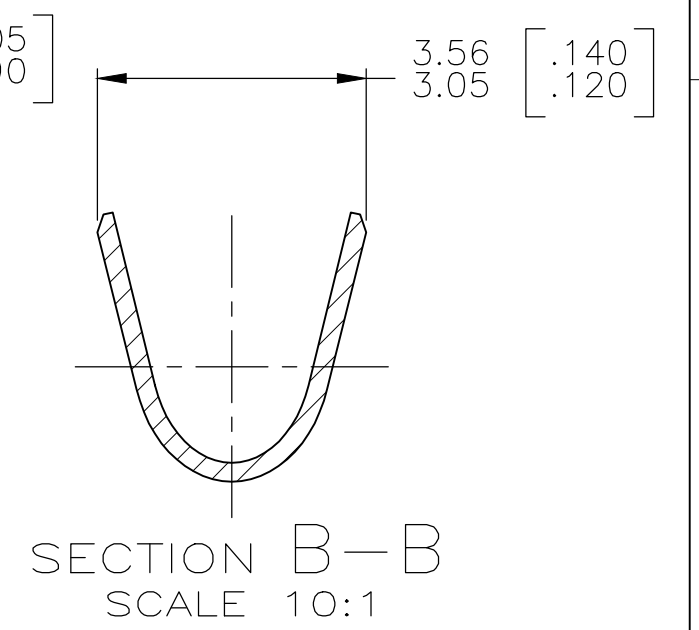
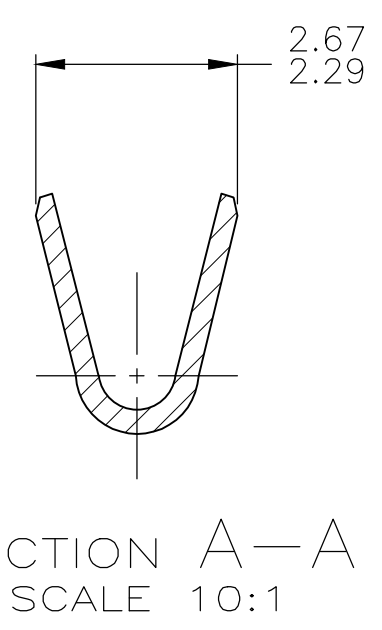
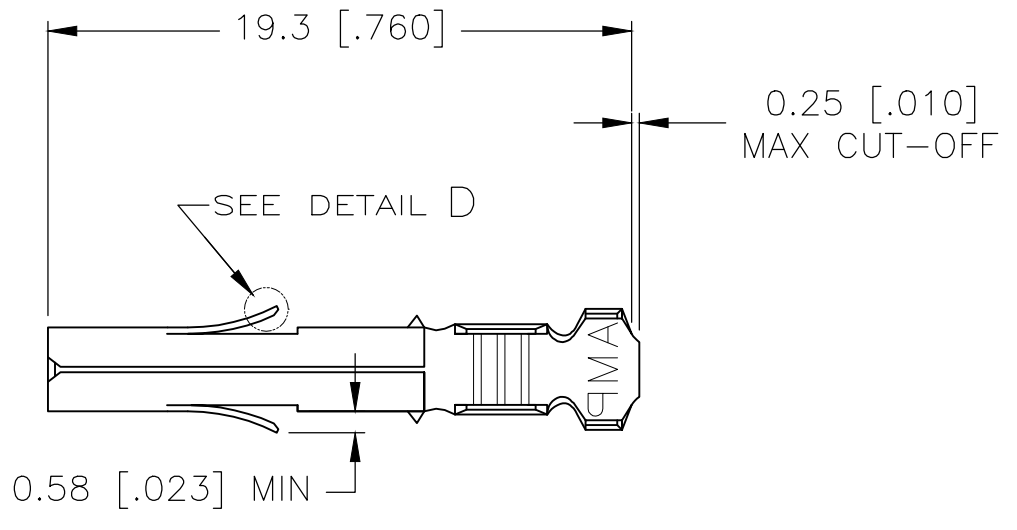
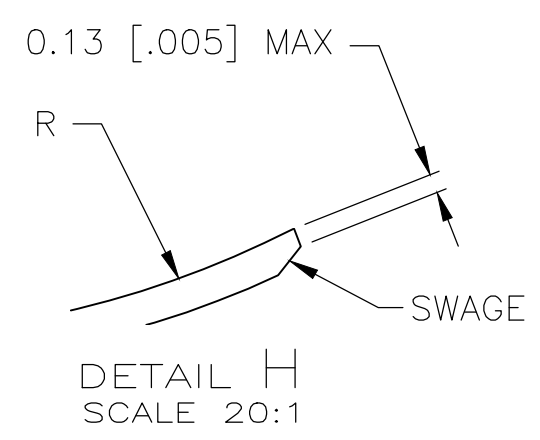
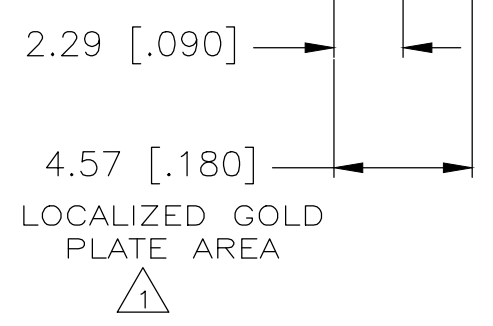
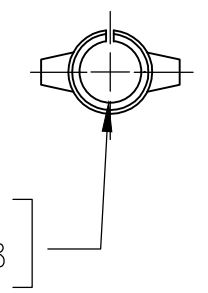


THIS DRAWING IS UNPUBLISHED. RELEASED FOR PUBLICATION
 © COPYRIGHT - By - ALL RIGHTS RESERVED.

| REVISIONS | | | | | |
|-----------|-----|---------------------------|-----------|-----|------|
| P | LTR | DESCRIPTION | DATE | DWN | APVD |
| H1 | | REVISED PER ECO-18-005506 | 11APR2018 | RS | SF |



POINT OF MEASUREMENT



1 0.00076 [.000030] THICK GOLD OVER NICKEL ON INSIDE OF RECEPTACLE AND WIRE BARREL AND REMAINDER OF CONTACT IS NICKEL PLATED.

2 24 -18 AWG.

3 INSULATION RANGE: 1.02-2.54 [.040-.100] DIA.

| | | | |
|---|---------|------------------|-------------|
| 1 | GOLD | 0.3 [.012] BRASS | 640347-2 |
| | PRE-TIN | 0.3 [.012] BRASS | 640347-1 |
| | FINISH | MATERIAL | PART NUMBER |

| | | | | | |
|--|--|---------------------------------|--|--------------------|--------------------|
| THIS DRAWING IS A CONTROLLED DOCUMENT. | | DWN K. WHITAKER 14MAR2007 | TE Connectivity Ltd. | | |
| DIMENSIONS: mm [INCHES] | | CHK D. COLEY 14MAR2007 | | | |
| TOLERANCES UNLESS OTHERWISE SPECIFIED: | | APVD D. COLEY 14MAR2007 | NAME SOCKET, MATE-N-LOK(TM), LOOSE PIECE | | |
| 0 PLC ± - 1 PLC ± - 2 PLC ± 0.38[.015] 3 PLC ± - 4 PLC ± - ANGLES ± 0°30' | | PRODUCT SPEC - | APPLICATION SPEC - | | |
| MATERIAL - | | FINISH - | WEIGHT 0.000000 | SIZE A3 | CAGE CODE 00779 |
| CUSTOMER DRAWING | | | DRAWING NO C-640347 | RESTRICTED TO - | |
| | | | SCALE 4:1 | SHEET 1 OF 1 | REV H1 |