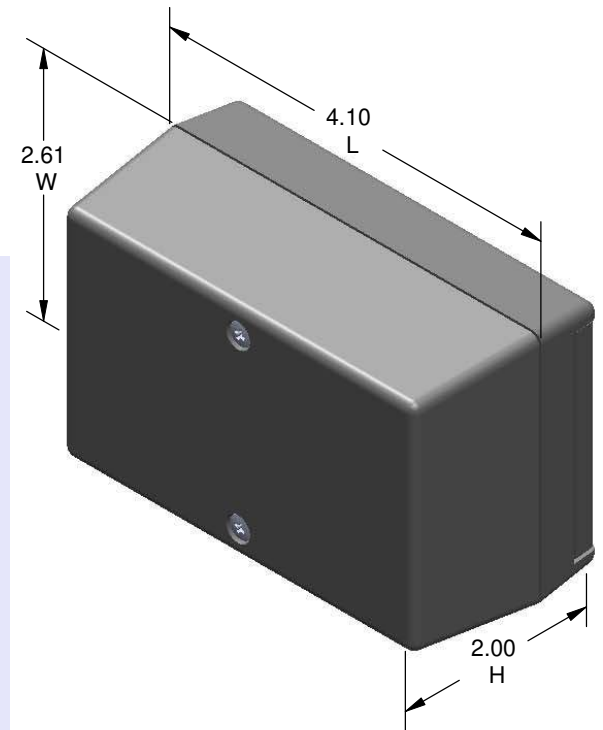
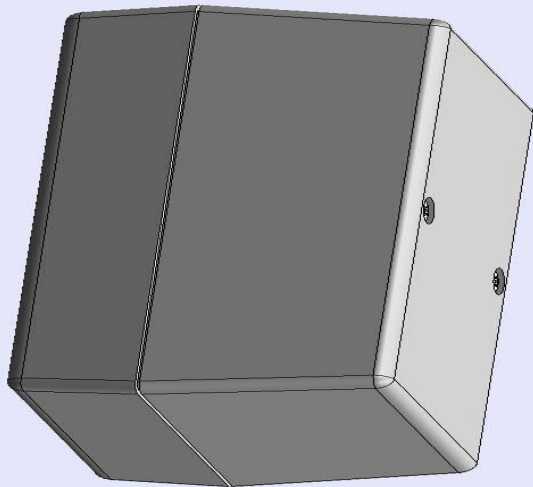


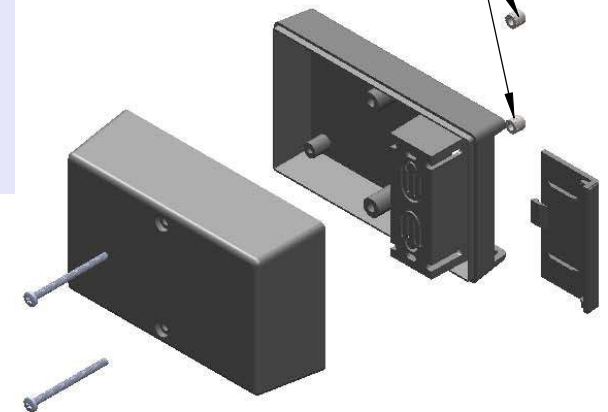
SERPAC 222R (3D exploded)

Electronic Enclosures

-Click on image to show toolbar. Use  to Play/Pause Animation.
-Left click and drag on image to move 3D model.



Threaded inserts only have to be assembled the first time.



- a) Zoom in & out with center wheel.
- b) Pause at any moment to view and or print views.
- c) Change the views to ortho and section views if needed from the Views pull down menu.
- d) Explore options included in the tool bar like: Views, Transparency of model, Lighting type, etc.

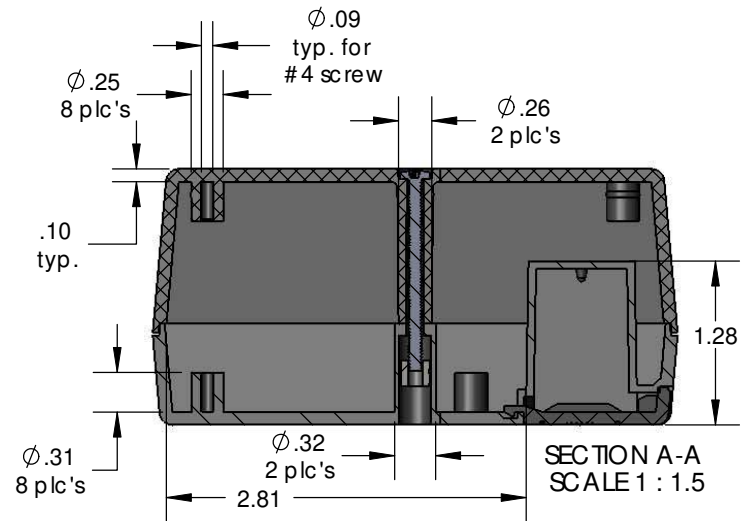
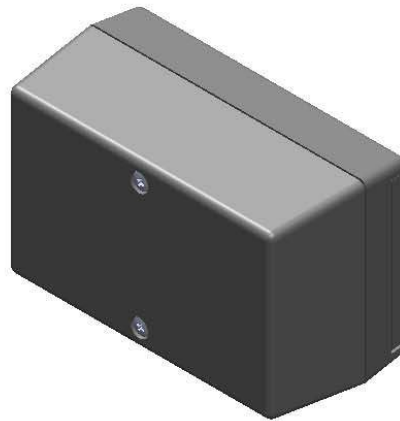
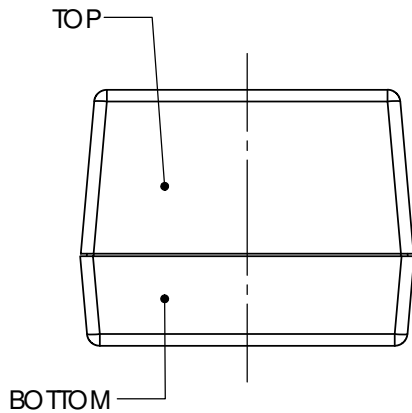
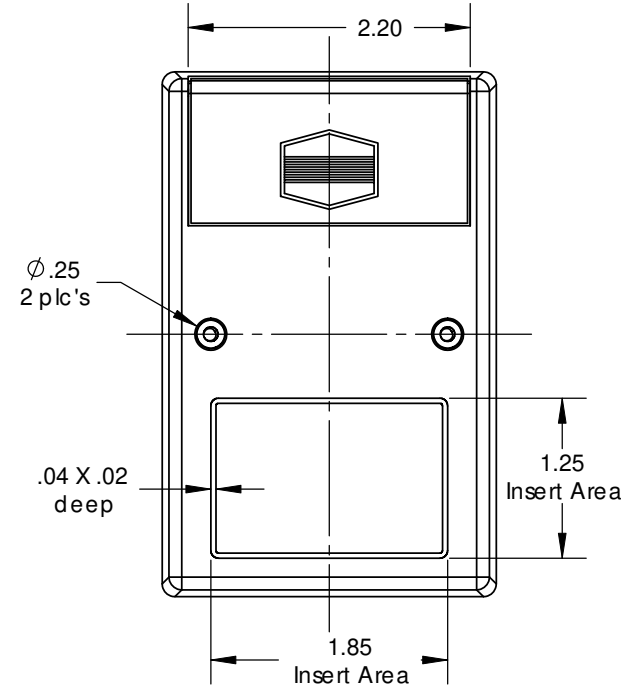
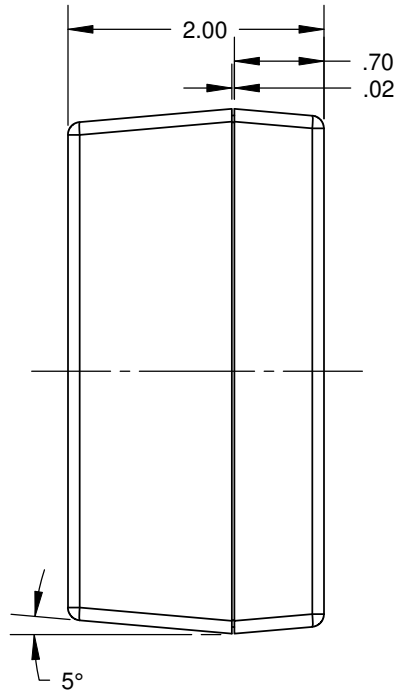
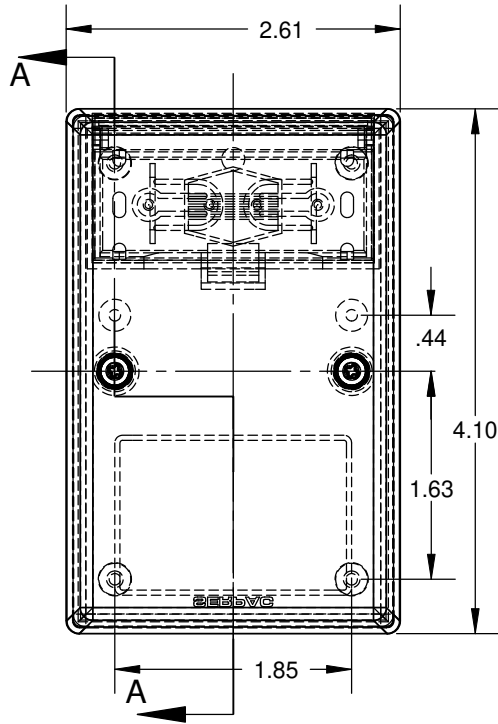
PART NO.	DESCRIPTION (Included)	ACCESSORIES (Optional)	
2-2R	TOP	PART NO.	DESCRIPTION
22	BOTTOM	319	Prototype Grid Circuit board
1025	BATTERY COVER	419	Prototype Clad Circuit board
6018	4-40 SCREW (2)		
6102	THREADED INSERTS (2)		

Notes: Enclosure weight .19 lbs/ 88 gm
 1) Enclosure meets or exceeds IP40 and NEMA 1
 2) Circuit Board drawings can be download at:
 Top: http://www.serpac.com/Accessories/CircuitBoard/drawings/CB_12X.pdf
 Bottom: <http://www.serpac.com/Accessories/CircuitBoard/drawings/319-419.pdf>
 3) All components are RoHSC compliant.

ALL DIMENSIONS ARE ± .010" 8/04/10 (1 of 2)
 2009 Wright Ave. La Verne, CA 91750
 Ph. (626) 331-0517 Fx. (626) 331-8584 serpac.com

SERPAC 222R (user print)

Electronic Enclosures



Notes: Enclosure weight .19 lbs/ 88 gm

- 1) Enclosure meets or exceeds IP40 and NEMA 1
- 2) Circuit Board drawings can be download at:

Top: http://www.serpac.com/Accessories/CircuitBoard/drawings/CB_12X.pdf

Bottom: <http://www.serpac.com/Accessories/CircuitBoard/drawings/319-419.pdf>

- 3) All components are RoHS Compliant.

PART NO.	DESCRIPTION (Included)	ACCESSORIES (Optional)	
2-2R	TOP	PART NO.	DESCRIPTION
22	BOTTOM	319	Prototype Grid Circuit board
1025	BATTERY COVER	419	Prototype Clad Circuit board
6018	4-40 SCREW (2)		
6102	THREADED INSERTS (2)		