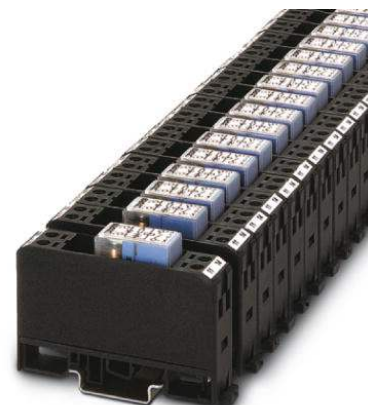


# EMG 17-REL/KSR-G 24/SO38 BK

Order No.: 2949994




<http://eshop.phoenixcontact.de/phoenix/treeViewClick.do?UID=2949994>

Relay module for high inrush currents, with soldered-in relay, contacts (AgCdO + capacitive W): medium to large loads, 1 N/O contact, input voltage 24 V DC, max. inrush current 80 A



## Commercial data

GTIN (EAN)	 4 017918 083915
sales group	G070
Pack	10 pcs.
Customs tariff	85364190
Catalog page information	Page 137 (IF-2009)

## Product notes

WEEE/RoHS-compliant since:  
08/10/2006



<http://www.download.phoenixcontact.com>  
Please note that the data given here has been taken from the online catalog. For comprehensive information and data, please refer to the user documentation. The General Terms and Conditions of Use apply to Internet downloads.

## Technical data

### Coil side

Nominal input voltage $U_N$	24 V DC
Input voltage range in reference to $U_N$	0.85 ... 1.1
Nominal input current at $U_{IN}$	28 mA
Typical response time	13 ms

Typical release time	15 ms
Operating voltage display	Yellow LED
Type of protection	Free-wheeling diode
Protective circuit/component	Damping diode

#### Contact side

Contact type	1 N/O contact with lead contact
Contact material	Main contact, silver cadmium oxide (AgCdO): Lead contact, wolfram
Maximum switching voltage	250 V AC
Maximum inrush current	80 A (20 ms)
Limiting continuous current	10 A
Interrupting rating (ohmic load) max.	2500 VA (for 250 V AC)

#### General data

Width	17.5 mm
Height	75 mm
Depth	62.5 mm
Test voltage relay winding/relay contact	4 kV AC (50 Hz, 1 min.)
Ambient temperature (operation)	-20 °C ... 50 °C
Ambient temperature (storage/transport)	-20 °C ... 70 °C
Mechanical service life	Approx. 10 <sup>7</sup> cycles
Standards/regulations	IEC 60664
	EN 50178
	IEC 62103
Rated surge voltage / insulation	safe isolation
Pollution degree	2
Surge voltage category	III
Mounting position	Any

#### Connection data

Type of connection	Screw connection
Conductor cross section solid min.	0.2 mm <sup>2</sup>
Conductor cross section solid max.	4 mm <sup>2</sup>
Conductor cross section stranded min.	0.2 mm <sup>2</sup>
Conductor cross section stranded max.	2.5 mm <sup>2</sup>
Conductor cross section AWG/kcmil min.	24

Conductor cross section AWG/kcmil max	12
Stripping length	8 mm
Screw thread	M3

### Certificates / Approvals



Certification

CUL, GOST, UL

### Accessories

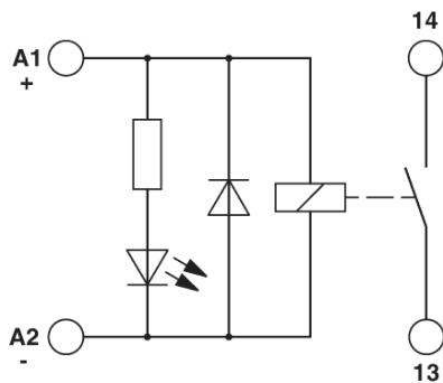
Item	Designation	Description
------	-------------	-------------

### Marking

2947035	EMG-GKS 12	Equipment marker, width 12 mm
---------	------------	-------------------------------

### Diagrams/Drawings

Circuit diagram



**Address**

PHOENIX CONTACT Deutschland GmbH  
Flachmarktstr. 8  
32825 Blomberg, Germany  
Phone +49 5235 3 12000  
Fax +49 5235 3 41200  
<http://www.phoenixcontact.de>



© 2011 Phoenix Contact  
Technical modifications reserved;