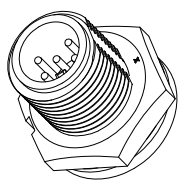
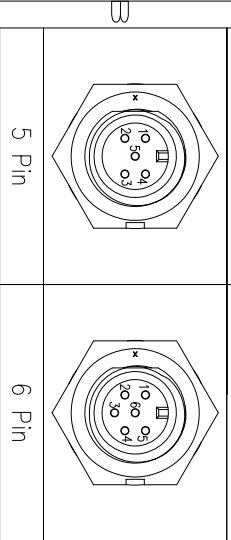
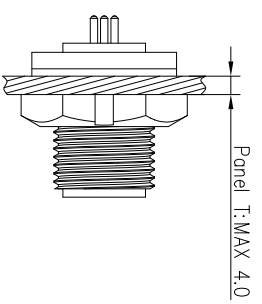
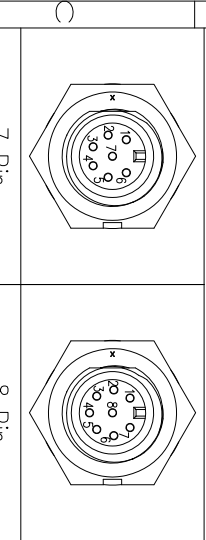
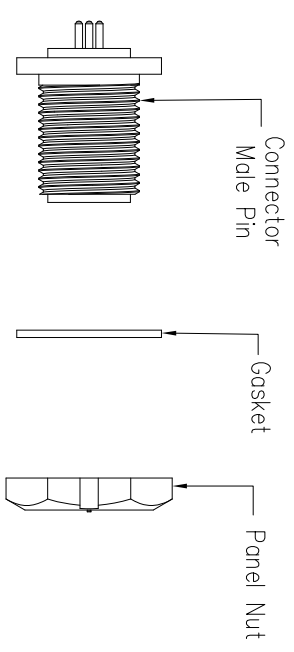
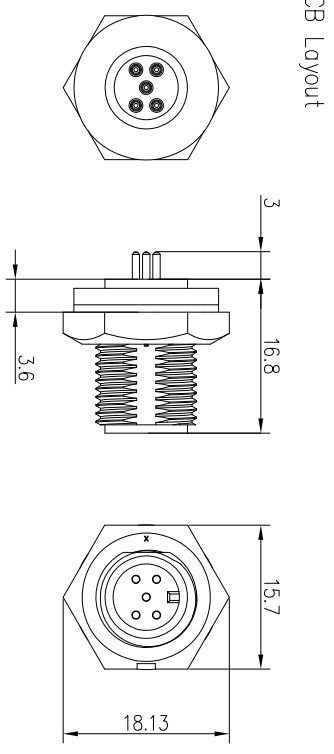
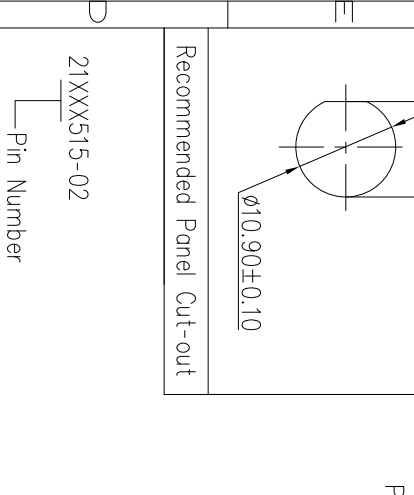
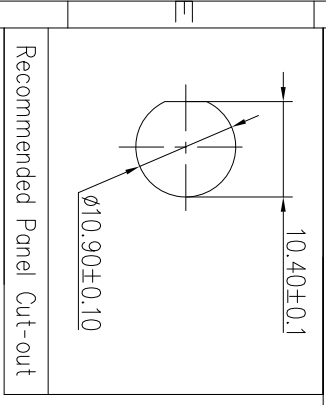


REV.	EN. NO.	DESCRIPTION	SIGN	DATE
C1	N/A	INITIAL DRAWING	Victory	2019/08/21



P/N: 21005515-02	P/N: 21006515-02
------------------	------------------

Pin Assignments Front View

UNIT: mm	DESCRIPTION	PART NO	DRAWN BY	DATE
	Mini Series Screw Type	21XXX515-02	Victory	2019/08/21

TOLERANCE	SCALE	REV	SIZE	SHEET	OF
.X :XX .XXX ANGLES	4:5	C1	A4	1	1
±0.25 ±0.15 ±0.05 ±1°					

Front Mount With Male Pin(PCB)

CHOGORI

* : Inspection Item

DWG NO	CHECKED BY	DATE
	Ivon	2019/08/21
CUSTOMER	APPROVED BY	DATE
	Ponson	2019/08/21