

TPS2475XEVM-546 EVM: Evaluation Module for TPS2475X

This user's guide describes the evaluation module (EVM) for the TPS24750 and TPS24751 (TPS2475XEVM-546). The TPS2475X is a 2.5-V to 18-V power-limiting, hot-swap controller with an integrated MOSFET cable of high-current operation.

Contents

1	Introduction	2
1.1	Features	2
1.2	Applications	2
2	Description	2
3	Schematic	3
4	General Configuration and Description	4
4.1	Physical Access	4
4.2	Test Setup	5
5	EVM Assembly Drawings and Layout Guidelines	6
5.1	PCB Drawings	6
6	Bill of Materials	11

List of Figures

1	TPS2475XEVM Schematic	3
2	Typical TPS2475XEVM Test Setup	5
3	Top Side Placement	6
4	Top Side Routing	7
5	Layer 2 Routing	8
6	Layer 3 Routing	9
7	Bottom Side Routing	10

List of Tables

1	TPS2475X EVM Options	2
2	Connector Functionality	4
3	Test Points	4
4	Jumpers and LEDs	4
5	TPS2475XEVM Bill of Materials	11

1 Introduction

The TPS2475XEVM allows reference circuit evaluation of TI's TPS24750 and TPS24751 hot-swap controllers with integrated 10-A MOSFET. The TPS2475X is available with both latching and auto-retry operation.

1.1 Features

- General TPS2475X Features
 - 2.5-V to 18.0-V (TYP) bus operation
 - Programmable current limit
 - Programmable undervoltage lockout
 - Programmable overvoltage
 - Programmable V_{OUT} slew rate
 - Programmable power limit
 - Latched-off TPS24750RUV
 - Auto-Retry TPS24751RUV
- External blocking FET
- Push button RESET signal
- Copper pour with vias to the internal ground takes advantage of the power pad package
- On-board transorb is for overvoltage input protection
- Common diode at output prevents negative spike when load is removed while powered on

1.2 Applications

- Server
 - Plug-in circuit boards
 - Redundant array of independent disks (RAID)
 - Disk drives
- Telecom
 - ATCA
 - Micro-ATCA
- General hot plug

2 Description

The TPS2475XEVM-546 enables full evaluation of the TPS2475X devices, refer to the schematic shown in [Figure 1](#). Input power is applied at T1/T3 while T2/T4 provides the output connection to the load. D4/C1/C7 provides input protection for the TPS2475X (U1) while D5/C3/C4 provides output protection. S1 allows U1 to be RESET or disabled. A power good (PG) indicator is provided by D2 and circuit faults can be observed with D3.

Table 1. TPS2475X EVM Options

Part Number	Vin Range	UVLO/OVP	Current Limit (TYP)	Power Limit (TYP)	Fault Response
TPS24751RUV (-001)	2.5 V – 18 V	8.4 V/14 V	11 A	21 W	Auto-Retry
TPS24750RUV (-002)	2.5 V – 18 V	8.4 V/14 V	11 A	21 W	Latched

Turn on or inrush slew rate control can be enabled by installing a shunt on J2 and observed at TP3. The PG and FAULT LED's (D2 and D3 respectively) can be enabled by installing a shunt on J1. Scaled channel current can be monitored at TP16 with a scale factor of 16.17 A/V.

3 Schematic

The schematic for the EVM is shown in Figure 1

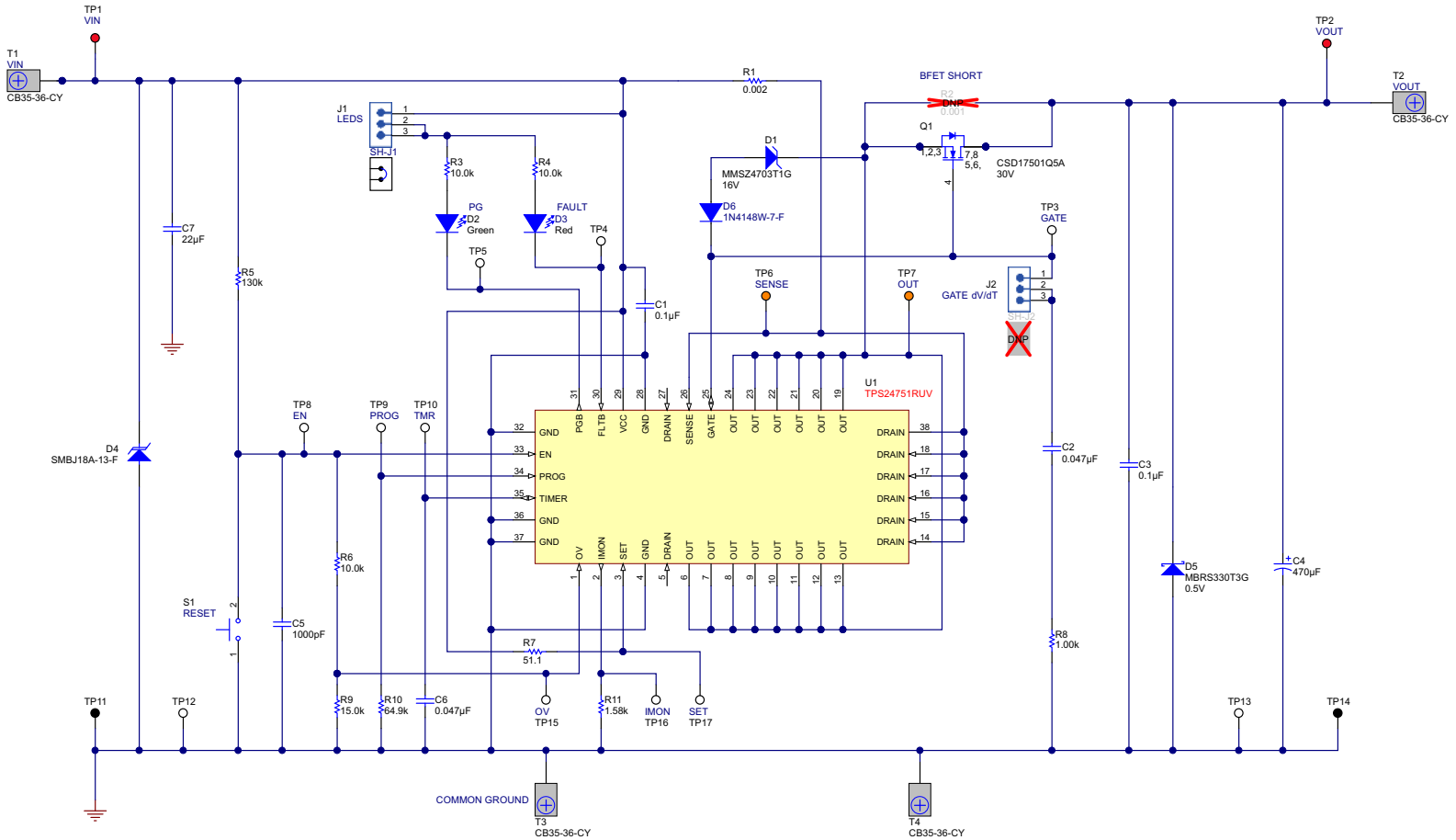


Figure 1. TPS2475XEVM Schematic

4 General Configuration and Description

4.1 Physical Access

Table 2 lists the TPS2475XEVM connector functionality, Table 3 describes the test point availability and Table 4 describes the jumper functionality.

Table 2. Connector Functionality

Connector	Label	Description
T1/T3	VIN/GND	2.5 V–18 V input to the EVM
T2/T4	VOOUT/GND	2.5 V–18 V output from the EVM

Table 3. Test Points

Test Point	Color	Label	Description
TP1/TP11/TP12	RED/BLK/SM	VIN/GND	2.5 V–18 V input to the EVM
TP2/TP14/TP13	RED/BLK/SM	VOOUT/GND	2.5 V–18 V output from the EVM
TP8	WHT	EN	Active high enable input
TP15	WHT	OV	Active high overvoltage input
TP3	WHT	GATE	Blocking FET GATE control and slew rate control
TP5	WHT	PG	Power good test point
TP4	WHT	FAULT	Fault test point
TP6	ORG	SNS	Sense amplifier inverting input connection
TP7	ORG	OUT	TPS2475X internal MOSFET DRAIN connection (before blocking FET)
TP9	WHT	PROG	Power limiting engine programming connection
TP10	WHT	TMR	Fault timer programming connection
TP17	WHT	SET	Sense amplifier non-inverting input connection
TP16	WHT	IMON	Current monitor. Load current = 16.17 × voltage on TP16.

Table 4. Jumpers and LEDs

Jumper	Label	Description
J1	J1	Install between pins 1 and 2 to enable D2 and D3
J2	RMP	Install between pins 1 and 2 to enable GATE linear ramp control
D2 (GREEN)	PG	Power good indicator. LED turns on when the voltage at TP7 (OUT) gets within 120 mV of the voltage at TP6 (SNS).
D3 (RED)	FAULT	Circuit fault indicator. LED turns on when the internal MOSFET is disabled due to a fault condition.

4.2 Test Setup

Figure 2 shows a typical test setup for the TPS2475XEVM. Connect T1/T3 to the power supply and T2/T4 to the load.

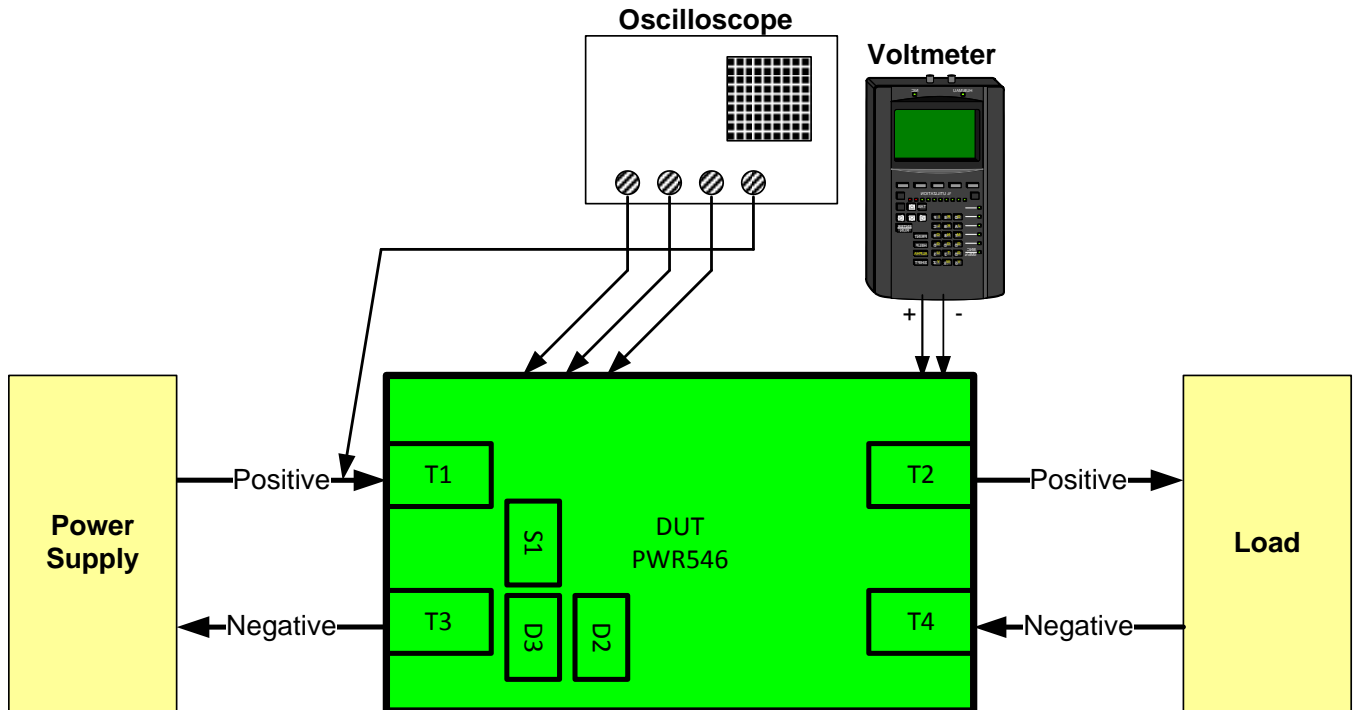


Figure 2. Typical TPS2475XEVM Test Setup

5 EVM Assembly Drawings and Layout Guidelines

5.1 PCB Drawings

Figure 3 through Figure 7 show component placement and layout of the EVM.

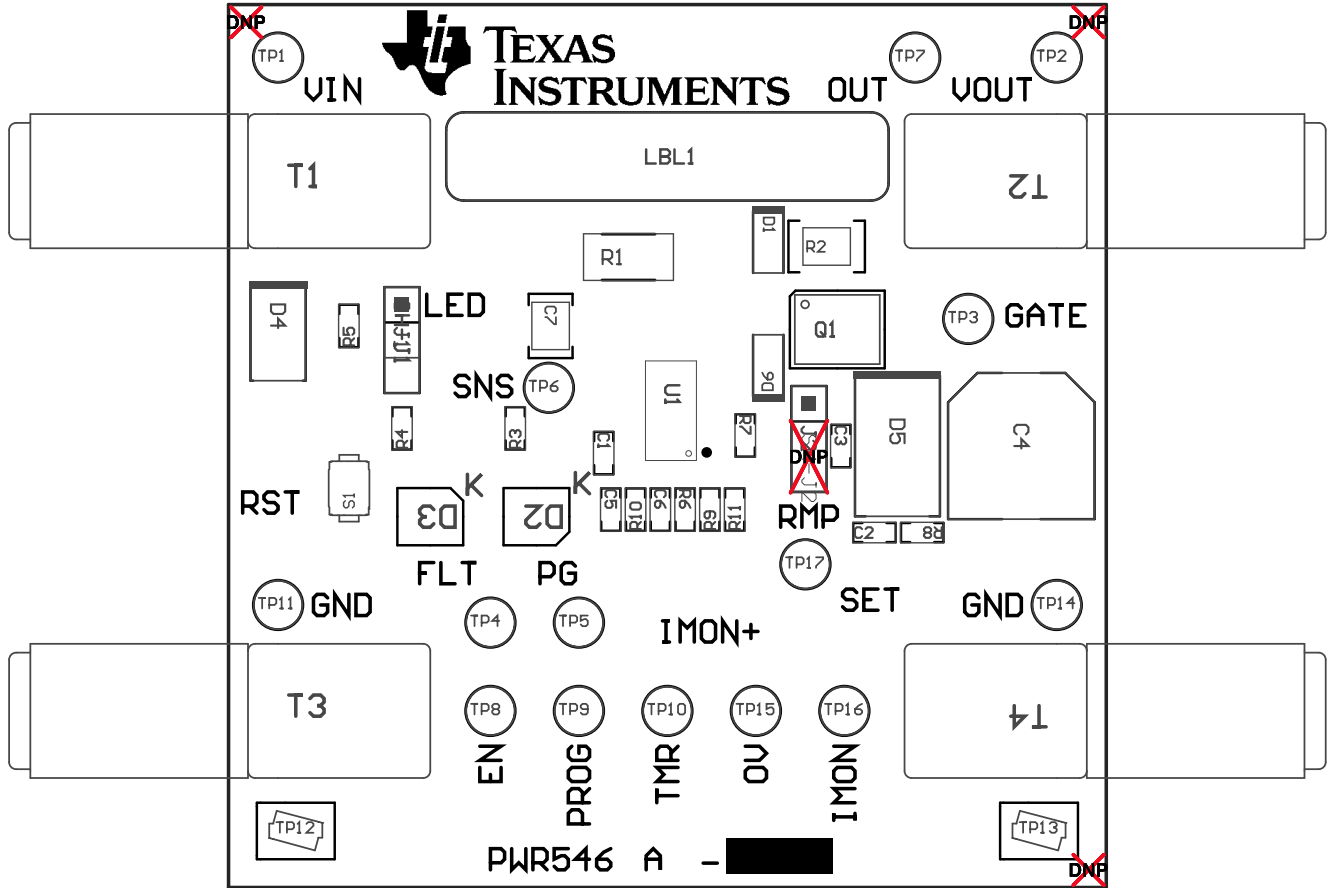


Figure 3. Top Side Placement

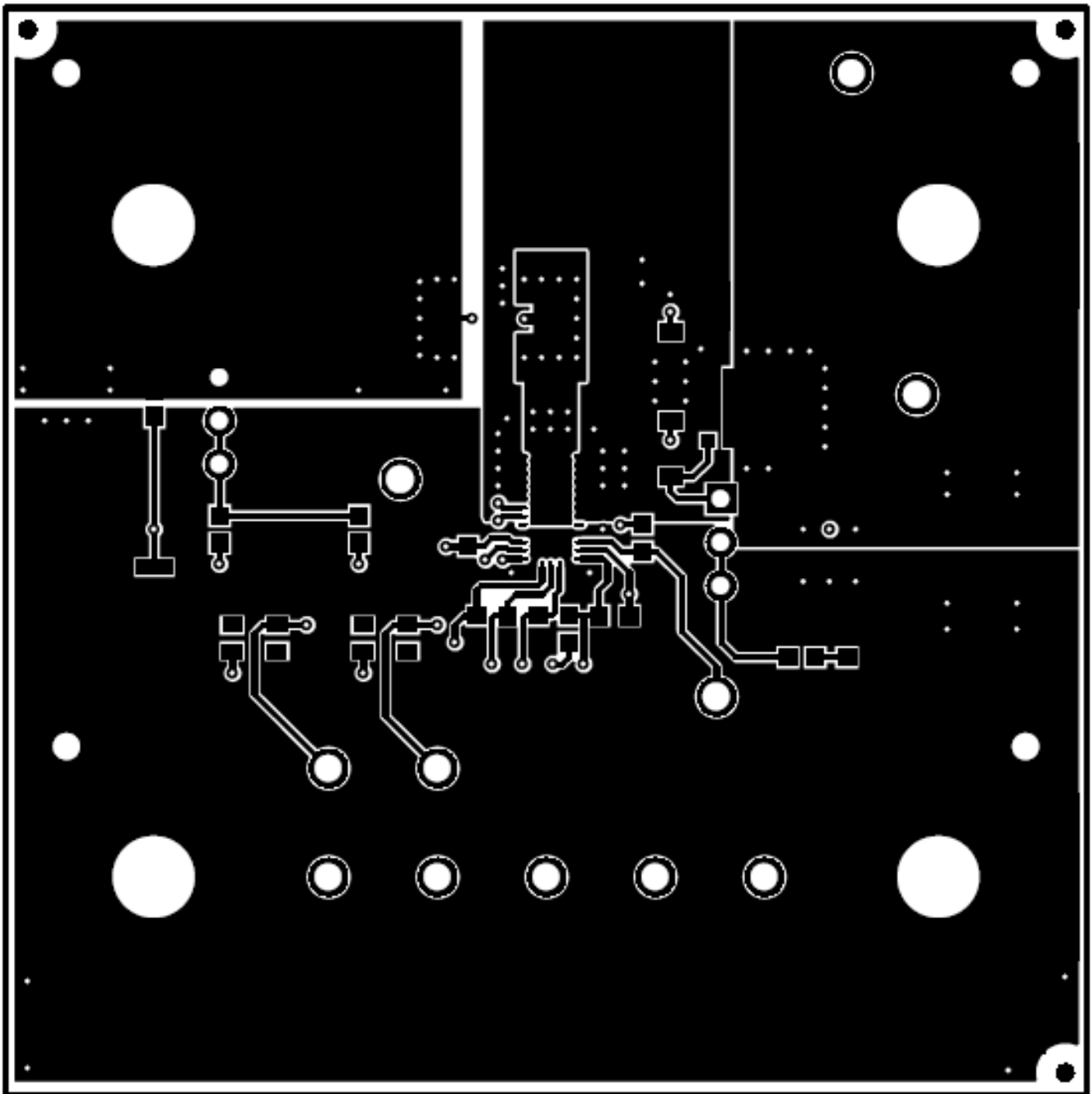


Figure 4. Top Side Routing

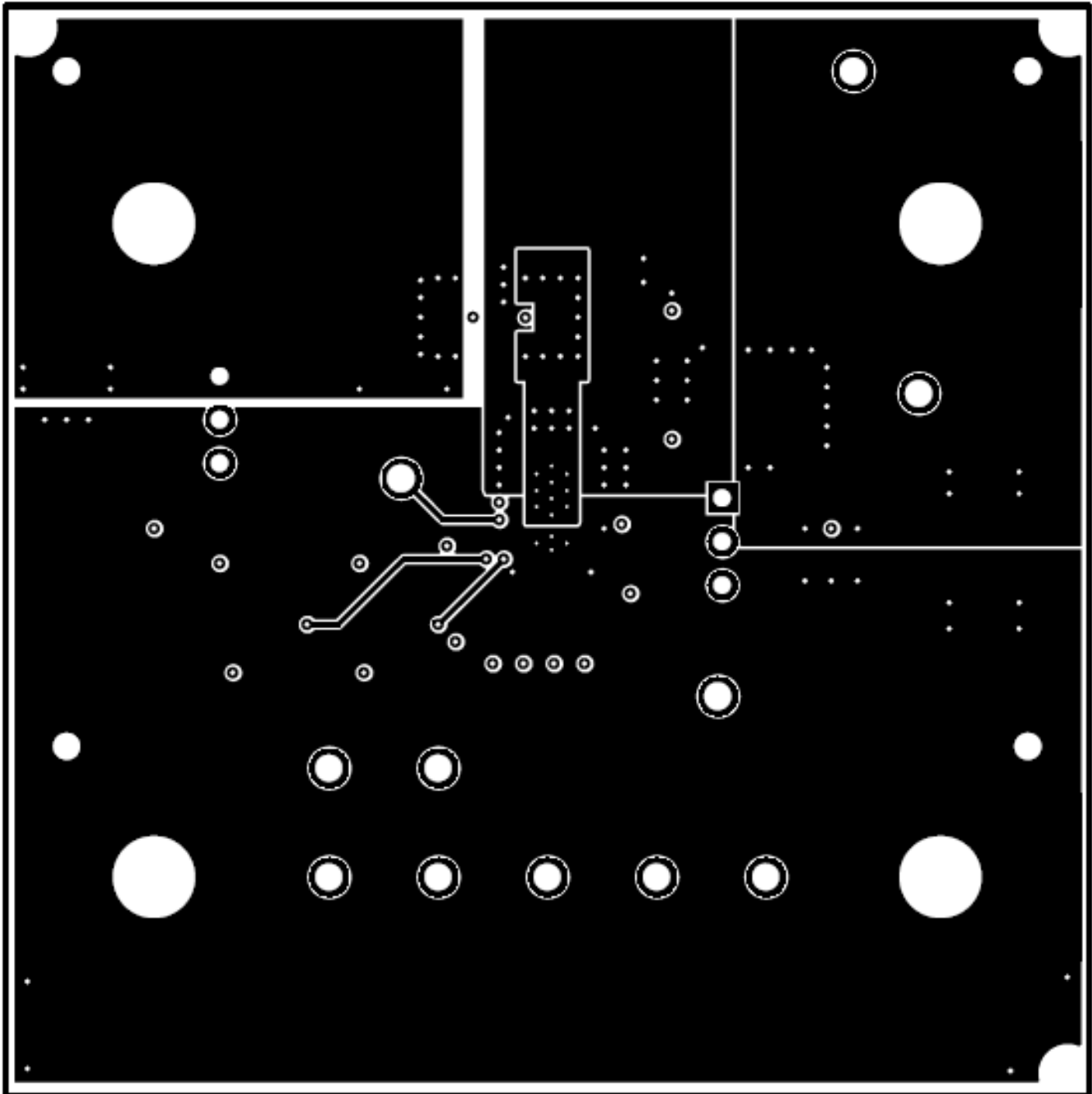


Figure 5. Layer 2 Routing

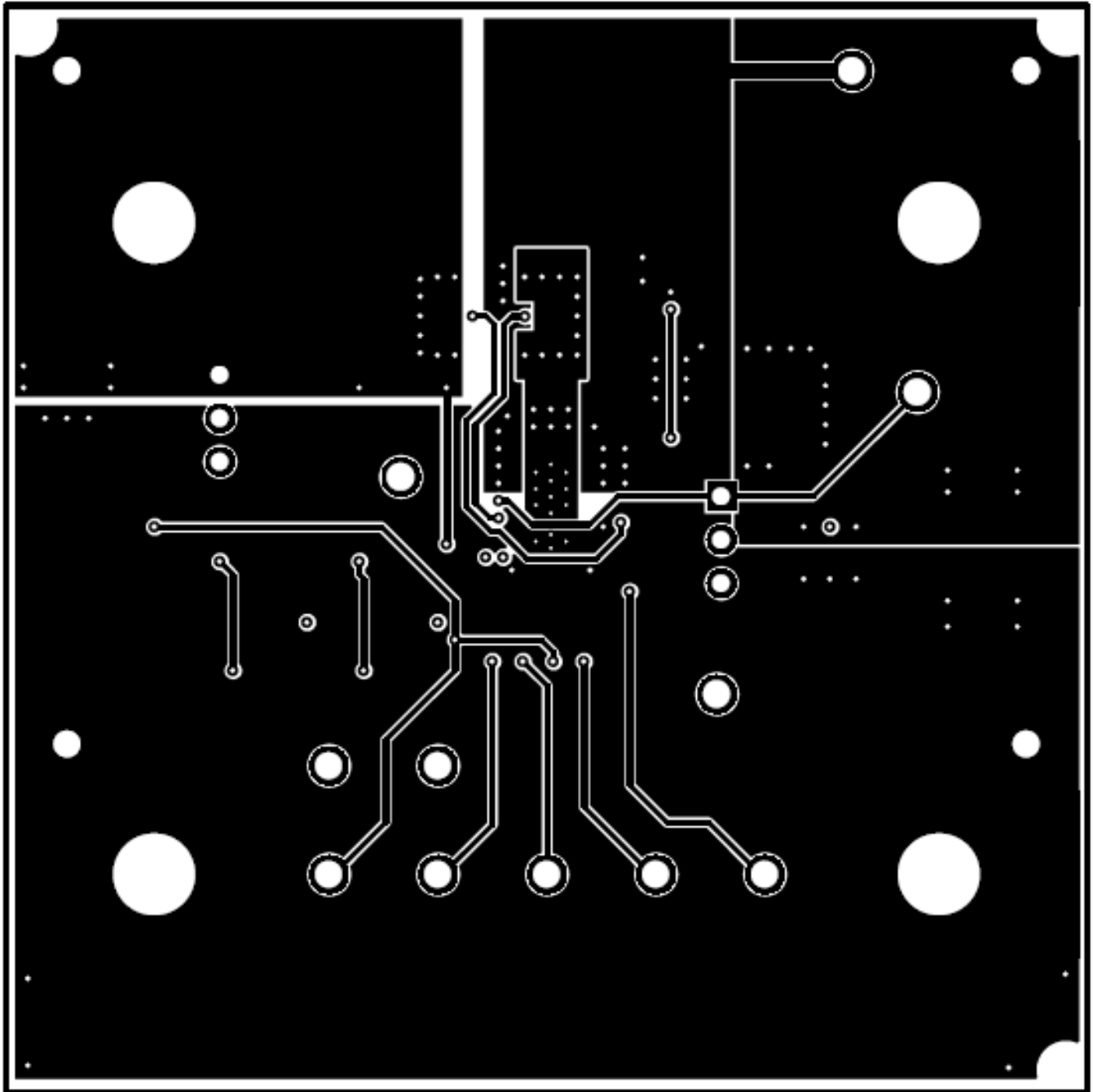


Figure 6. Layer 3 Routing

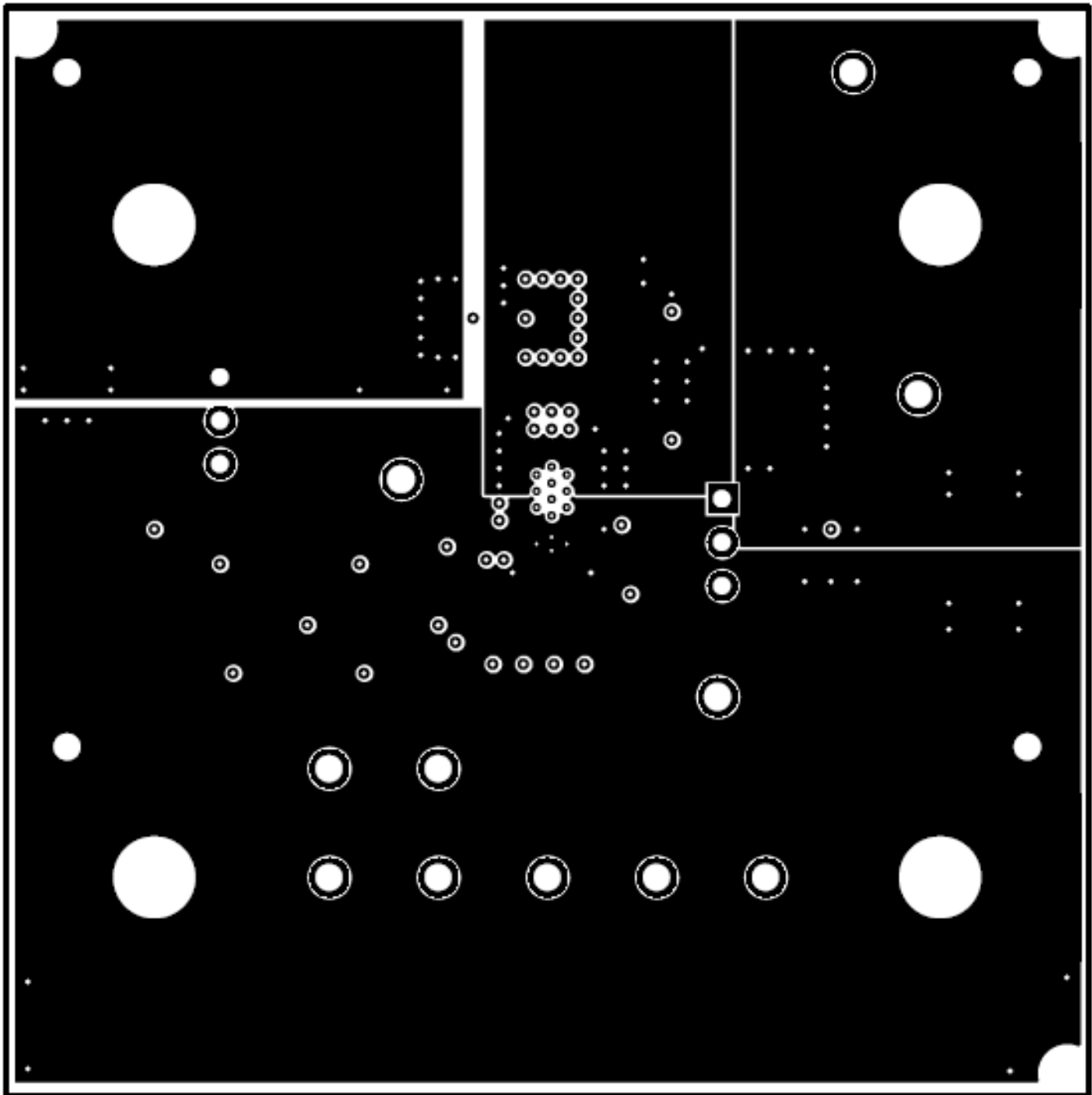


Figure 7. Bottom Side Routing

6 Bill of Materials

Table 5. TPS2475XEV M Bill of Materials

Designator	QTY	Value	Description	Package Reference	Part Number	Manufacturer	Alternate Part Number
PCB1	1		Printed Circuit Board		PWR546	Any	—
C1, C3	2	0.1uF	CAP, CERM, 0.1uF, 25V, +/-10%, X7R, 0603	0603	06033C104KAT2A	AVX	—
C2	1	0.047uF	CAP, CERM, 0.047uF, 25V, +/-10%, X7R, 0603	0603	C1608X7R1E473K	TDK	
C4	1	470uF	CAP, AL, 470uF, 25V, +/-20%, 0.15 ohm, SMD	SMT Radial G	EEE-FC1E471P	Panasonic	
C5	1	1000pF	CAP, CERM, 1000pF, 100V, +/-20%, X7R, 0603	0603	06031C102MAT2A	AVX	—
C6	1	0.047uF	CAP, CERM, 0.047uF, 100V, +/-10%, X7R, 0603	0603	C0603C473K1RACTU	Kemet	
C7	1	22uF	CAP, CERM, 22uF, 25V, +/-20%, X5R, 1210	1210	12103D226MAT2A	AVX	
D1	1	16V	Diode, Zener, 16V, 500mW, SOD-123	SOD-123	MMSZ4703T1G	ON Semiconductor	
D2	1	Green	LED, Green, SMD	Power TOPLED w/lens	LT E63C-CADB-35-L-Z	OSRAM	—
D3	1	Red	LED, Red, SMD	Power TOPLED w/lens	LS E63F-DBFA-1-Z	OSRAM	—
D4	1	18V	Diode, TVS, Uni, 18V, 600W, SMB	SMB	SMBJ18A-13-F	Diodes Inc.	—
D5	1	0.5V	Diode, Schottky, 30V, 3A, SMC	SMC	MBRS330T3G	ON Semiconductor	
D6	1	1.25V	Diode, Ultrafast, 100V, 0.15A, SOD-123	SOD-123	1N4148W-7-F	Diodes Inc.	
J1, J2	2	1x3	Header, TH, 100mil, 1x3, Gold plated, 230 mil above insulator	PBC03SAAN	PBC03SAAN	Sullins Connector Solutions	Equivalent
LBL1	1		Thermal Transfer Printable Labels, 1.250" W x 0.250" H – 10,000 per roll	PCB Label 1.25"H x 0.250"W	THT-13-457-10	Brady	
Q1	1	30V	MOSFET, N-CH, 30V, 100A, SON 5x6mm	SON 5x6mm	CSD17501Q5A	Texas Instruments	
R1	1	0.002	RES, 0.002 ohm, 1%, 1W, 2512	2512	ERJ-M1WTF2M0U	Panasonic	
R3, R4, R6	3	10.0k	RES, 10.0k ohm, 1%, 0.1W, 0603	0603	CRCW060310K0FKEA	Vishay-Dale	
R5	1	130k	RES, 130k ohm, 1%, 0.1W, 0603	0603	CRCW0603130K0FKEA	Vishay-Dale	
R7	1	51.1	RES, 51.1 ohm, 1%, 0.1W, 0603	0603	CRCW060351R10FKEA	Vishay-Dale	
R8	1	1.00k	RES, 1.00k ohm, 1%, 0.1W, 0603	0603	CRCW06031K00FKEA	Vishay-Dale	
R9	1	15.0k	RES, 15.0k ohm, 1%, 0.1W, 0603	0603	CRCW060315K0FKEA	Vishay-Dale	
R10	1	64.9k	RES, 64.9k ohm, 1%, 0.1W, 0603	0603	CRCW060364K9FKEA	Vishay-Dale	
R11	1	1.58k	RES, 1.58k ohm, 1%, 0.1W, 0603	0603	CRCW06031K58FKEA	Vishay-Dale	
S1	1		Switch, Push Button, SMD	2.9x2x3.9mm SMD	SKRKAE010	Alps	Equivalent
SH-J1	1	1x2	Shunt, 100mil, Gold plated, Black	Shunt	969102-0000-DA	3M	SNT-100-BK-G
T1–T4	4	50A	Terminal 50A Lug	CB35-36-CY	CB35-36-CY	Panduit	
TP1, TP2	2	Red	Test Point, TH, Multipurpose, Red	Keystone5010	5010	Keystone	Equivalent
TP3–TP5, TP8–TP10, TP15–TP17	9	White	Test Point, TH, Multipurpose, White	Keystone5012	5012	Keystone	Equivalent
TP6, TP7	2	Orange	Test Point, TH, Multipurpose, Orange	Keystone5013	5013	Keystone	Equivalent
TP11, TP14	2	Black	Test Point, TH, Multipurpose, Black	Keystone5011	5011	Keystone	Equivalent

Table 5. TPS2475XEVM Bill of Materials (continued)

Designator	QTY	Value	Description	Package Reference	Part Number	Manufacturer	Alternate Part Number
TP12, TP13	2	SMT	Test Point, SMT, Compact	Testpoint_Keystone_Compact	5016	Keystone	
U1	1		2.5 to 18 V Positive Voltage 10A Integrated Hot-Swap Controller, RUV0036A	RUV0036A	TPS24750RUV or TPS24751RUV	Texas Instruments	
FID1, FID2, FID3	0		Fiducial mark. There is nothing to buy or mount.	Fiducial	N/A	N/A	
R2	0	0.001	RES, 0.001 ohm, 1%, 1W, 1210	1210	PMR25HZPFV1L00	Rohm	
SH-J2	0	1x2	Shunt, 100mil, Gold plated, Black	Shunt	969102-0000-DA	3M	SNT-100-BK-G

NOTE: Unless otherwise noted in the alternate part number or alternate manufacturer columns, all parts may be substituted with equivalents.

EVALUATION BOARD/KIT/MODULE (EVM) ADDITIONAL TERMS

Texas Instruments (TI) provides the enclosed Evaluation Board/Kit/Module (EVM) under the following conditions:

The user assumes all responsibility and liability for proper and safe handling of the goods. Further, the user indemnifies TI from all claims arising from the handling or use of the goods.

Should this evaluation board/kit not meet the specifications indicated in the User's Guide, the board/kit may be returned within 30 days from the date of delivery for a full refund. THE FOREGOING LIMITED WARRANTY IS THE EXCLUSIVE WARRANTY MADE BY SELLER TO BUYER AND IS IN LIEU OF ALL OTHER WARRANTIES, EXPRESSED, IMPLIED, OR STATUTORY, INCLUDING ANY WARRANTY OF MERCHANTABILITY OR FITNESS FOR ANY PARTICULAR PURPOSE. EXCEPT TO THE EXTENT OF THE INDEMNITY SET FORTH ABOVE, NEITHER PARTY SHALL BE LIABLE TO THE OTHER FOR ANY INDIRECT, SPECIAL, INCIDENTAL, OR CONSEQUENTIAL DAMAGES.

Please read the User's Guide and, specifically, the Warnings and Restrictions notice in the User's Guide prior to handling the product. This notice contains important safety information about temperatures and voltages. For additional information on TI's environmental and/or safety programs, please visit www.ti.com/esh or contact TI.

No license is granted under any patent right or other intellectual property right of TI covering or relating to any machine, process, or combination in which such TI products or services might be or are used. TI currently deals with a variety of customers for products, and therefore our arrangement with the user is not exclusive. TI assumes no liability for applications assistance, customer product design, software performance, or infringement of patents or services described herein.

REGULATORY COMPLIANCE INFORMATION

As noted in the EVM User's Guide and/or EVM itself, this EVM and/or accompanying hardware may or may not be subject to the Federal Communications Commission (FCC) and Industry Canada (IC) rules.

For EVMs **not** subject to the above rules, this evaluation board/kit/module is intended for use for ENGINEERING DEVELOPMENT, DEMONSTRATION OR EVALUATION PURPOSES ONLY and is not considered by TI to be a finished end product fit for general consumer use. It generates, uses, and can radiate radio frequency energy and has not been tested for compliance with the limits of computing devices pursuant to part 15 of FCC or ICES-003 rules, which are designed to provide reasonable protection against radio frequency interference. Operation of the equipment may cause interference with radio communications, in which case the user at his own expense will be required to take whatever measures may be required to correct this interference.

General Statement for EVMs including a radio

User Power/Frequency Use Obligations: This radio is intended for development/professional use only in legally allocated frequency and power limits. Any use of radio frequencies and/or power availability of this EVM and its development application(s) must comply with local laws governing radio spectrum allocation and power limits for this evaluation module. It is the user's sole responsibility to only operate this radio in legally acceptable frequency space and within legally mandated power limitations. Any exceptions to this are strictly prohibited and unauthorized by Texas Instruments unless user has obtained appropriate experimental/development licenses from local regulatory authorities, which is responsibility of user including its acceptable authorization.

For EVMs annotated as FCC – FEDERAL COMMUNICATIONS COMMISSION Part 15 Compliant

Caution

This device complies with part 15 of the FCC Rules. Operation is subject to the following two conditions: (1) This device may not cause harmful interference, and (2) this device must accept any interference received, including interference that may cause undesired operation.

Changes or modifications not expressly approved by the party responsible for compliance could void the user's authority to operate the equipment.

FCC Interference Statement for Class A EVM devices

This equipment has been tested and found to comply with the limits for a Class A digital device, pursuant to part 15 of the FCC Rules. These limits are designed to provide reasonable protection against harmful interference when the equipment is operated in a commercial environment. This equipment generates, uses, and can radiate radio frequency energy and, if not installed and used in accordance with the instruction manual, may cause harmful interference to radio communications. Operation of this equipment in a residential area is likely to cause harmful interference in which case the user will be required to correct the interference at his own expense.

FCC Interference Statement for Class B EVM devices

This equipment has been tested and found to comply with the limits for a Class B digital device, pursuant to part 15 of the FCC Rules. These limits are designed to provide reasonable protection against harmful interference in a residential installation. This equipment generates, uses and can radiate radio frequency energy and, if not installed and used in accordance with the instructions, may cause harmful interference to radio communications. However, there is no guarantee that interference will not occur in a particular installation. If this equipment does cause harmful interference to radio or television reception, which can be determined by turning the equipment off and on, the user is encouraged to try to correct the interference by one or more of the following measures:

- Reorient or relocate the receiving antenna.
- Increase the separation between the equipment and receiver.
- Connect the equipment into an outlet on a circuit different from that to which the receiver is connected.
- Consult the dealer or an experienced radio/TV technician for help.

For EVMs annotated as IC – INDUSTRY CANADA Compliant

This Class A or B digital apparatus complies with Canadian ICES-003.

Changes or modifications not expressly approved by the party responsible for compliance could void the user's authority to operate the equipment.

Concerning EVMs including radio transmitters

This device complies with Industry Canada licence-exempt RSS standard(s). Operation is subject to the following two conditions: (1) this device may not cause interference, and (2) this device must accept any interference, including interference that may cause undesired operation of the device.

Concerning EVMs including detachable antennas

Under Industry Canada regulations, this radio transmitter may only operate using an antenna of a type and maximum (or lesser) gain approved for the transmitter by Industry Canada. To reduce potential radio interference to other users, the antenna type and its gain should be so chosen that the equivalent isotropically radiated power (e.i.r.p.) is not more than that necessary for successful communication.

This radio transmitter has been approved by Industry Canada to operate with the antenna types listed in the user guide with the maximum permissible gain and required antenna impedance for each antenna type indicated. Antenna types not included in this list, having a gain greater than the maximum gain indicated for that type, are strictly prohibited for use with this device.

Cet appareil numérique de la classe A ou B est conforme à la norme NMB-003 du Canada.

Les changements ou les modifications pas expressément approuvés par la partie responsable de la conformité ont pu vider l'autorité de l'utilisateur pour actionner l'équipement.

Concernant les EVMs avec appareils radio

Le présent appareil est conforme aux CNR d'Industrie Canada applicables aux appareils radio exempts de licence. L'exploitation est autorisée aux deux conditions suivantes : (1) l'appareil ne doit pas produire de brouillage, et (2) l'utilisateur de l'appareil doit accepter tout brouillage radioélectrique subi, même si le brouillage est susceptible d'en compromettre le fonctionnement.

Concernant les EVMs avec antennes détachables

Conformément à la réglementation d'Industrie Canada, le présent émetteur radio peut fonctionner avec une antenne d'un type et d'un gain maximal (ou inférieur) approuvé pour l'émetteur par Industrie Canada. Dans le but de réduire les risques de brouillage radioélectrique à l'intention des autres utilisateurs, il faut choisir le type d'antenne et son gain de sorte que la puissance isotrope rayonnée équivalente (p.i.r.e.) ne dépasse pas l'intensité nécessaire à l'établissement d'une communication satisfaisante.

Le présent émetteur radio a été approuvé par Industrie Canada pour fonctionner avec les types d'antenne énumérés dans le manuel d'usage et ayant un gain admissible maximal et l'impédance requise pour chaque type d'antenne. Les types d'antenne non inclus dans cette liste, ou dont le gain est supérieur au gain maximal indiqué, sont strictement interdits pour l'exploitation de l'émetteur.

【Important Notice for Users of EVMs for RF Products in Japan】

This development kit is NOT certified as Confirming to Technical Regulations of Radio Law of Japan

If you use this product in Japan, you are required by Radio Law of Japan to follow the instructions below with respect to this product:

1. Use this product in a shielded room or any other test facility as defined in the notification #173 issued by Ministry of Internal Affairs and Communications on March 28, 2006, based on Sub-section 1.1 of Article 6 of the Ministry's Rule for Enforcement of Radio Law of Japan,
2. Use this product only after you obtained the license of Test Radio Station as provided in Radio Law of Japan with respect to this product, or
3. Use of this product only after you obtained the Technical Regulations Conformity Certification as provided in Radio Law of Japan with respect to this product. Also, please do not transfer this product, unless you give the same notice above to the transferee. Please note that if you could not follow the instructions above, you will be subject to penalties of Radio Law of Japan.

Texas Instruments Japan Limited
(address) 24-1, Nishi-Shinjuku 6 chome, Shinjuku-ku, Tokyo, Japan

<http://www.tij.co.jp>

【無線電波を送信する製品の開発キットをお使いになる際の注意事項】

本開発キットは技術基準適合証明を受けておりません。

本製品のご使用に際しては、電波法遵守のため、以下のいずれかの措置を取っていただく必要がありますのでご注意ください。

1. 電波法施行規則第6条第1項第1号に基づく平成18年3月28日総務省告示第173号で定められた電波暗室等の試験設備でご使用いただく。
2. 実験局の免許を取得後ご使用いただく。
3. 技術基準適合証明を取得後ご使用いただく。

なお、本製品は、上記の「ご使用にあたっての注意」を譲渡先、移転先に通知しない限り、譲渡、移転できないものとします。

上記を遵守頂けない場合は、電波法の罰則が適用される可能性があることをご留意ください。

日本テキサス・インスツルメンツ株式会社
東京都新宿区西新宿6丁目24番1号
西新宿三井ビル

<http://www.tij.co.jp>

EVALUATION BOARD/KIT/MODULE (EVM) WARNINGS, RESTRICTIONS AND DISCLAIMERS

For Feasibility Evaluation Only, in Laboratory/Development Environments. Unless otherwise indicated, this EVM is not a finished electrical equipment and not intended for consumer use. It is intended solely for use for preliminary feasibility evaluation in laboratory/development environments by technically qualified electronics experts who are familiar with the dangers and application risks associated with handling electrical mechanical components, systems and subsystems. It should not be used as all or part of a finished end product.

Your Sole Responsibility and Risk. You acknowledge, represent and agree that:

1. You have unique knowledge concerning Federal, State and local regulatory requirements (including but not limited to Food and Drug Administration regulations, if applicable) which relate to your products and which relate to your use (and/or that of your employees, affiliates, contractors or designees) of the EVM for evaluation, testing and other purposes.
2. You have full and exclusive responsibility to assure the safety and compliance of your products with all such laws and other applicable regulatory requirements, and also to assure the safety of any activities to be conducted by you and/or your employees, affiliates, contractors or designees, using the EVM. Further, you are responsible to assure that any interfaces (electronic and/or mechanical) between the EVM and any human body are designed with suitable isolation and means to safely limit accessible leakage currents to minimize the risk of electrical shock hazard.
3. Since the EVM is not a completed product, it may not meet all applicable regulatory and safety compliance standards (such as UL, CSA, VDE, CE, RoHS and WEEE) which may normally be associated with similar items. You assume full responsibility to determine and/or assure compliance with any such standards and related certifications as may be applicable. You will employ reasonable safeguards to ensure that your use of the EVM will not result in any property damage, injury or death, even if the EVM should fail to perform as described or expected.
4. You will take care of proper disposal and recycling of the EVM's electronic components and packing materials.

Certain Instructions. It is important to operate this EVM within TI's recommended specifications and environmental considerations per the user guidelines. Exceeding the specified EVM ratings (including but not limited to input and output voltage, current, power, and environmental ranges) may cause property damage, personal injury or death. If there are questions concerning these ratings please contact a TI field representative prior to connecting interface electronics including input power and intended loads. Any loads applied outside of the specified output range may result in unintended and/or inaccurate operation and/or possible permanent damage to the EVM and/or interface electronics. Please consult the EVM User's Guide prior to connecting any load to the EVM output. If there is uncertainty as to the load specification, please contact a TI field representative. During normal operation, some circuit components may have case temperatures greater than 60°C as long as the input and output are maintained at a normal ambient operating temperature. These components include but are not limited to linear regulators, switching transistors, pass transistors, and current sense resistors which can be identified using the EVM schematic located in the EVM User's Guide. When placing measurement probes near these devices during normal operation, please be aware that these devices may be very warm to the touch. As with all electronic evaluation tools, only qualified personnel knowledgeable in electronic measurement and diagnostics normally found in development environments should use these EVMs.

Agreement to Defend, Indemnify and Hold Harmless. You agree to defend, indemnify and hold TI, its licensors and their representatives harmless from and against any and all claims, damages, losses, expenses, costs and liabilities (collectively, "Claims") arising out of or in connection with any use of the EVM that is not in accordance with the terms of the agreement. This obligation shall apply whether Claims arise under law of tort or contract or any other legal theory, and even if the EVM fails to perform as described or expected.

Safety-Critical or Life-Critical Applications. If you intend to evaluate the components for possible use in safety critical applications (such as life support) where a failure of the TI product would reasonably be expected to cause severe personal injury or death, such as devices which are classified as FDA Class III or similar classification, then you must specifically notify TI of such intent and enter into a separate Assurance and Indemnity Agreement.

IMPORTANT NOTICE

Texas Instruments Incorporated and its subsidiaries (TI) reserve the right to make corrections, enhancements, improvements and other changes to its semiconductor products and services per JESD46, latest issue, and to discontinue any product or service per JESD48, latest issue. Buyers should obtain the latest relevant information before placing orders and should verify that such information is current and complete. All semiconductor products (also referred to herein as "components") are sold subject to TI's terms and conditions of sale supplied at the time of order acknowledgment.

TI warrants performance of its components to the specifications applicable at the time of sale, in accordance with the warranty in TI's terms and conditions of sale of semiconductor products. Testing and other quality control techniques are used to the extent TI deems necessary to support this warranty. Except where mandated by applicable law, testing of all parameters of each component is not necessarily performed.

TI assumes no liability for applications assistance or the design of Buyers' products. Buyers are responsible for their products and applications using TI components. To minimize the risks associated with Buyers' products and applications, Buyers should provide adequate design and operating safeguards.

TI does not warrant or represent that any license, either express or implied, is granted under any patent right, copyright, mask work right, or other intellectual property right relating to any combination, machine, or process in which TI components or services are used. Information published by TI regarding third-party products or services does not constitute a license to use such products or services or a warranty or endorsement thereof. Use of such information may require a license from a third party under the patents or other intellectual property of the third party, or a license from TI under the patents or other intellectual property of TI.

Reproduction of significant portions of TI information in TI data books or data sheets is permissible only if reproduction is without alteration and is accompanied by all associated warranties, conditions, limitations, and notices. TI is not responsible or liable for such altered documentation. Information of third parties may be subject to additional restrictions.

Resale of TI components or services with statements different from or beyond the parameters stated by TI for that component or service voids all express and any implied warranties for the associated TI component or service and is an unfair and deceptive business practice. TI is not responsible or liable for any such statements.

Buyer acknowledges and agrees that it is solely responsible for compliance with all legal, regulatory and safety-related requirements concerning its products, and any use of TI components in its applications, notwithstanding any applications-related information or support that may be provided by TI. Buyer represents and agrees that it has all the necessary expertise to create and implement safeguards which anticipate dangerous consequences of failures, monitor failures and their consequences, lessen the likelihood of failures that might cause harm and take appropriate remedial actions. Buyer will fully indemnify TI and its representatives against any damages arising out of the use of any TI components in safety-critical applications.

In some cases, TI components may be promoted specifically to facilitate safety-related applications. With such components, TI's goal is to help enable customers to design and create their own end-product solutions that meet applicable functional safety standards and requirements. Nonetheless, such components are subject to these terms.

No TI components are authorized for use in FDA Class III (or similar life-critical medical equipment) unless authorized officers of the parties have executed a special agreement specifically governing such use.

Only those TI components which TI has specifically designated as military grade or "enhanced plastic" are designed and intended for use in military/aerospace applications or environments. Buyer acknowledges and agrees that any military or aerospace use of TI components which have **not** been so designated is solely at the Buyer's risk, and that Buyer is solely responsible for compliance with all legal and regulatory requirements in connection with such use.

TI has specifically designated certain components as meeting ISO/TS16949 requirements, mainly for automotive use. In any case of use of non-designated products, TI will not be responsible for any failure to meet ISO/TS16949.

Products

Audio	www.ti.com/audio
Amplifiers	amplifier.ti.com
Data Converters	dataconverter.ti.com
DLP® Products	www.dlp.com
DSP	dsp.ti.com
Clocks and Timers	www.ti.com/clocks
Interface	interface.ti.com
Logic	logic.ti.com
Power Mgmt	power.ti.com
Microcontrollers	microcontroller.ti.com
RFID	www.ti-rfid.com
OMAP Applications Processors	www.ti.com/omap
Wireless Connectivity	www.ti.com/wirelessconnectivity

Applications

Automotive and Transportation	www.ti.com/automotive
Communications and Telecom	www.ti.com/communications
Computers and Peripherals	www.ti.com/computers
Consumer Electronics	www.ti.com/consumer-apps
Energy and Lighting	www.ti.com/energy
Industrial	www.ti.com/industrial
Medical	www.ti.com/medical
Security	www.ti.com/security
Space, Avionics and Defense	www.ti.com/space-avionics-defense
Video and Imaging	www.ti.com/video

TI E2E Community

e2e.ti.com