

# MATERIALS & SPECIFICATIONS

PART NO.	A22041-001	REV	ECO	DATE	APP
		B	96708	05-06-10	TLM

**INSULATOR:**  
LIQUID CRYSTAL POLYMER (LCP) PER ASTM D5138.

**CONTACT:**  
COPPER ALLOY PER MIL-DTL-83513. GOLD PLATED PER ASTM B488, (HARD GOLD) TYPE II CODE C CLASS 1.27.

**TERMINATION:**  
26 AWG (7-34) TYPE E, PER NEMA HP3, COLOR CODED PER TABLE.

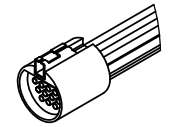
**LATCH BOX:**  
BERYLLIUM COPPER PER ASTM B194 NICKEL PLATE PER AMS-C-26074.

**CURRENT CAPACITY:**  
3 AMP MAX.

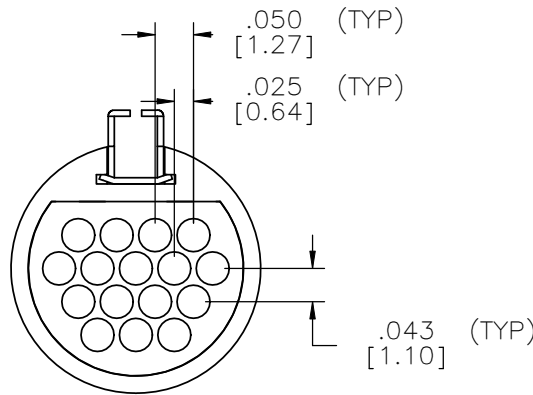
**CONTACT RESISTANCE:**  
26 MILLIOHMS (65mV) MAX @ 2.5 AMPS.

**PERFORMANCE:**  
PRODUCT FAMILY TESTED TO AND PASSED THE PERFORMANCE SPECIFICATIONS OF TABLE VII OF MIL-DTL-83513.

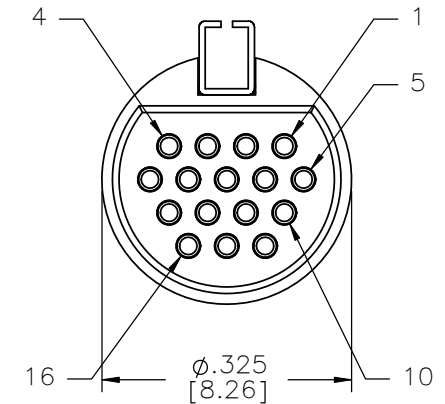
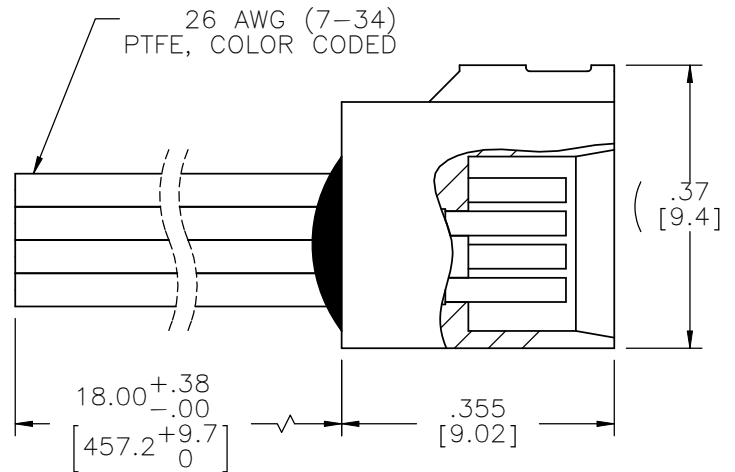
PIN #	COLOR	PIN#	COLOR
1	BLACK	9	GRAY
2	BROWN	10	WHITE
3	RED	11	WHT/BLK
4	ORANGE	12	WHT/BRN
5	YELLOW	13	WHT/RED
6	GREEN	14	WHT/ORN
7	BLUE	15	WHT/YEL
8	VIOLET	16	WHT/GRN



ACTUAL SIZE EXCLUDING WIRE LENGTH



LOADING VIEW  
LESS EPOXY



REF: OMNETICS

MGT'S SC'DW	THIRD ANGLE	THIS DRAWING CONTAINS CONFIDENTIAL AND PROPRIETARY INFORMATION WHICH IS THE PROPERTY OF OMNETICS CONNECTOR CORP. THIS DOCUMENT MAY NOT, IN WHOLE OR IN PART, BE DUPLICATED, OR DISCLOSED FOR ANY PURPOSE, WITHOUT WRITTEN PERMISSION FROM OMNETICS CONNECTOR CORP.		<h2>OMNETICS</h2> <p>CONNECTOR CORPORATION 7260 COMMERCE CIRCLE EAST MINNEAPOLIS, MN 55432 WWW.OMNETICS.COM</p>	CAGE CODE <b>61873</b>	
	-TOLERANCES-	DFTM. TLM	DATE		TITLE:	DWG NO.
	UNLESS OTHERWISE NOTED	CHK'D.	DATE		(16) SOCKET FEMALE	<b>A22041-001</b>
	DIMENSIONS IN INCHES	APP'D.	DATE		MICRO CIRCULAR	SHEET 1 OF 1
2 PL DEC ± .01			CONNECTOR W/ LATCH	REV		
3 PL DEC ± .005				B		
4 PL DEC ± .0005				SCALE: 4:1		
ANGLES ± 1°						