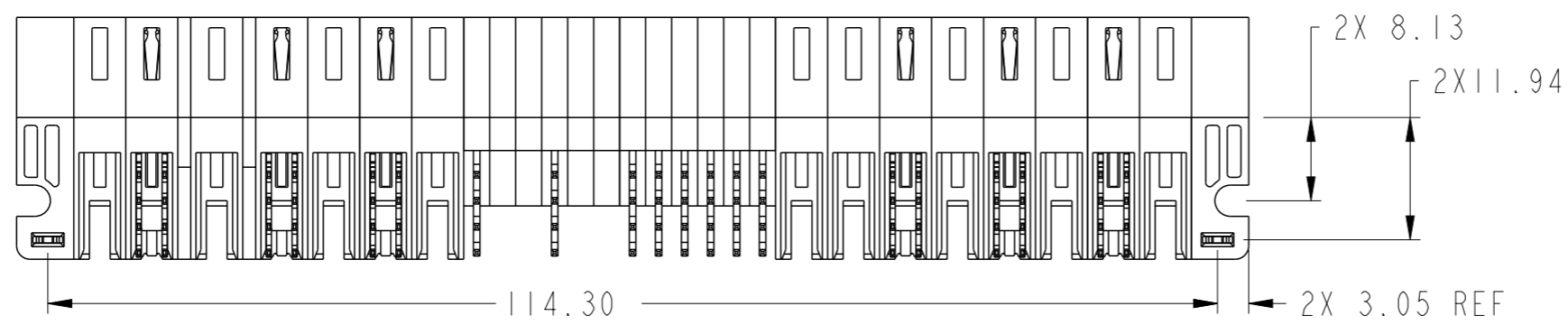
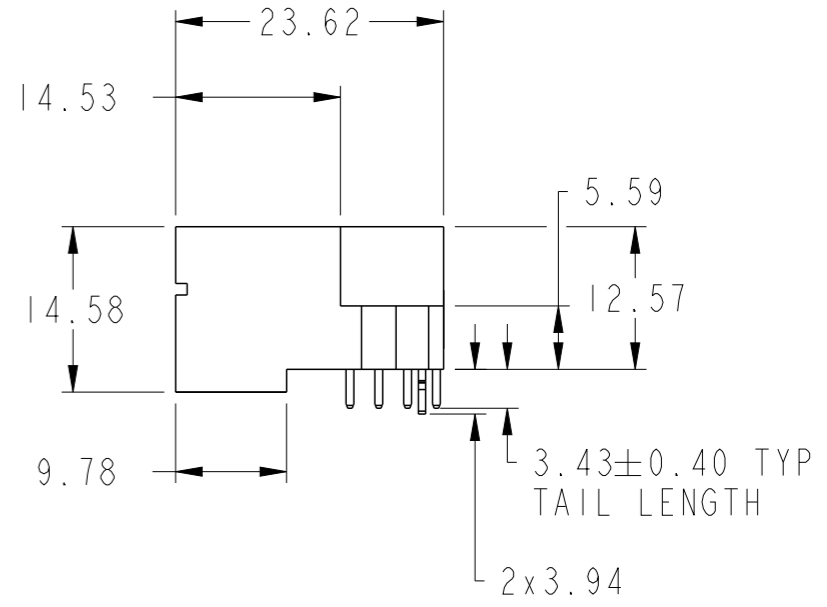
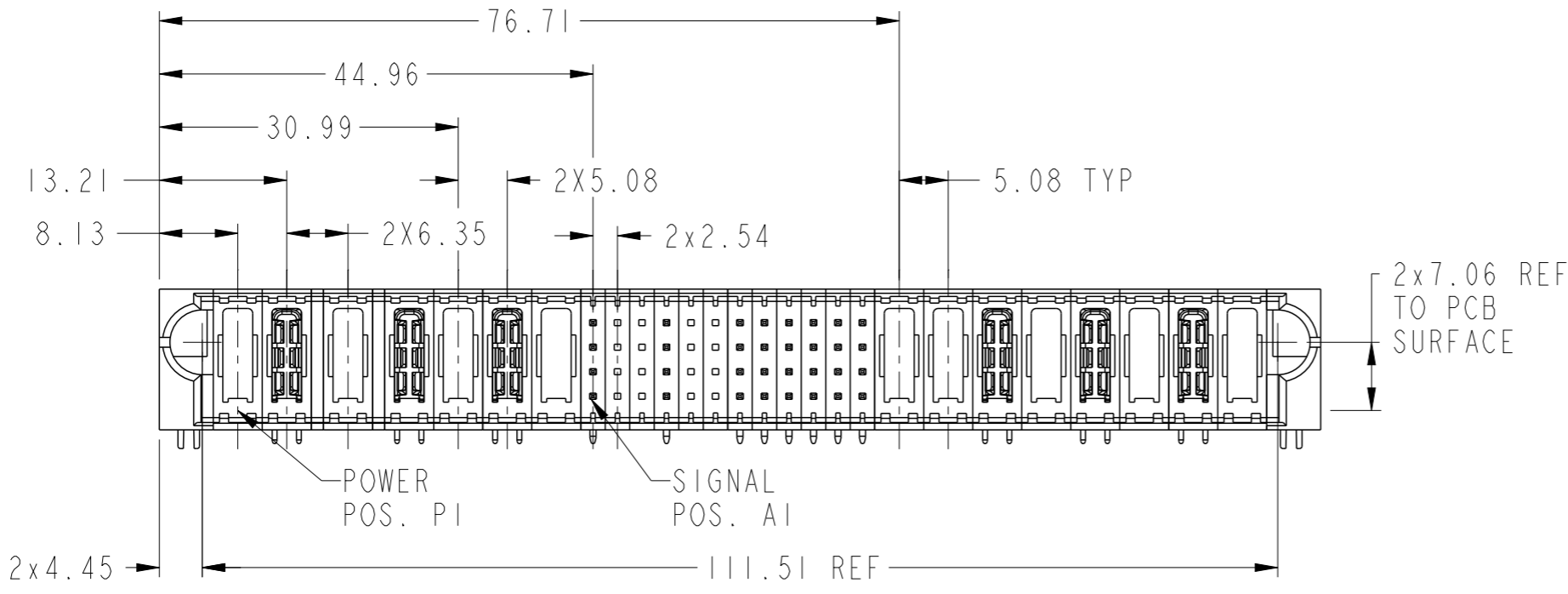
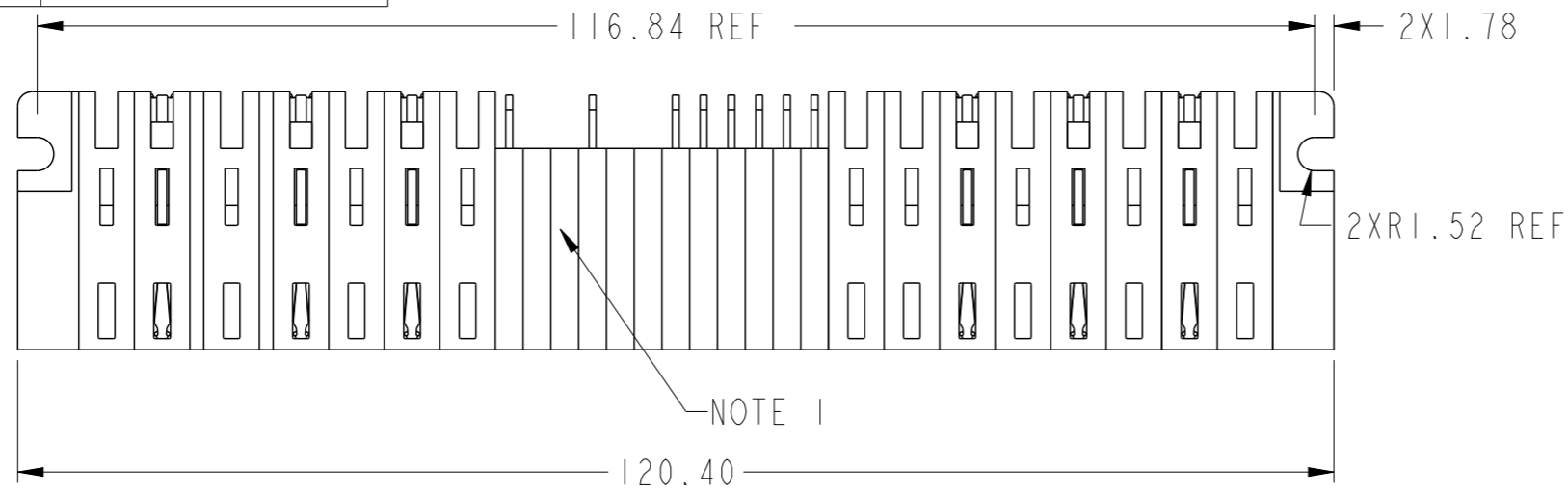


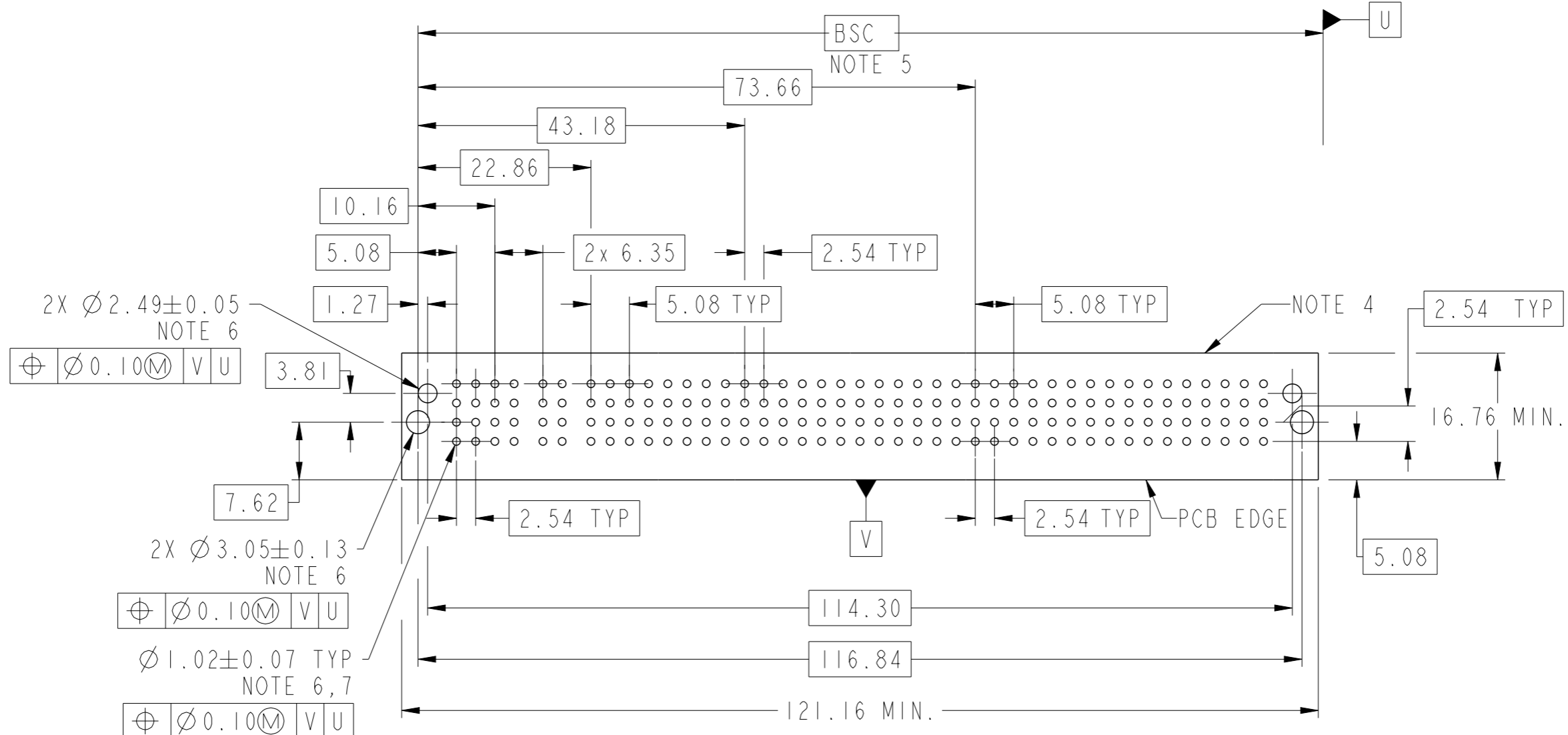
PRODUCT NUMBER SEE SHEET 2



| | | | | | | | | | | | | | | | | | | | | | | | | |
|---------------------------------------|---|-------------|--------------|------------|------------------------|------|--------|--------------|-----------|----------|----------------|-----------|-----|------|----------------|------------|--|--|---------|-----------------|--------|------------------|-----|---|
| spec ref | * | dr | Zhen-Hua Liu | 2015/08/27 | projection | MM | size | A3 | scale | 3:2 | | | | | | | | | | | | | | |
| tolerance std | ASME Y14.5 | eng | Zhen-Hua Liu | 2015/09/02 | | | ecn no | - | rel level | Released | | | | | | | | | | | | | | |
| TOLERANCES UNLESS OTHERWISE SPECIFIED | | chr | Fancy Zhang | 2015/09/02 | | | | | | | product family | PwrBlade+ | | | | | | | | | | | | |
| surface | <table border="1"> <tr> <td>linear</td> <td>0.X</td> <td>±0.5</td> </tr> <tr> <td></td> <td>0.XX</td> <td>±0.25</td> </tr> <tr> <td></td> <td>0.XXX</td> <td>±0.10</td> </tr> <tr> <td>angular</td> <td>0°</td> <td>±2°</td> </tr> </table> | linear | 0.X | ±0.5 | | 0.XX | ±0.25 | | 0.XXX | ±0.10 | angular | 0° | ±2° | appr | Pei-Ming Zheng | 2015/09/02 | | | part no | 7HP + 48S + 8HP | dwg no | 10106262-F012001 | rev | A |
| linear | 0.X | ±0.5 | | | | | | | | | | | | | | | | | | | | | | |
| | 0.XX | ±0.25 | | | | | | | | | | | | | | | | | | | | | | |
| | 0.XXX | ±0.10 | | | | | | | | | | | | | | | | | | | | | | |
| angular | 0° | ±2° | | | | | | | | | | | | | | | | | | | | | | |
| ASME Y14.5 | | www.fci.com | | cat. no. | Product - Customer Drw | | | sheet 1 of 3 | | | | | | | | | | | | | | | | |

Copyright FCI.

| | | | | | | | | | | | | | | | | | | | | | | | | | | | | |
|--------------------|------|------------|----|----|----|----|----|----|--------|---|---|---|---|---|---|---|---|---|----|----|------------|----|----|-----|-----|-----|-----|----|
| PRODUCT NO. | ROWS | HIGH POWER | | | | | | | SIGNAL | | | | | | | | | | | | HIGH POWER | | | | | | | E2 |
| | | E1 | P1 | P2 | P3 | P4 | P5 | P6 | P7 | 1 | 2 | 3 | 4 | 5 | 6 | 7 | 8 | 9 | 10 | 11 | 12 | P8 | P9 | P10 | P11 | P12 | P13 | |
| 10106262-F012001LF | DCBA | X | H1 | X | H1 | X | H1 | X | U | X | X | U | X | X | U | U | U | H | U | X | X | H1 | X | H1 | X | H1 | X | |
| | | | | | | | | | T | X | X | T | X | X | T | T | T | T | G | T | | | | | | | | |
| | | | | | | | | | S | X | X | S | X | X | S | S | S | S | F | S | | | | | | | | |
| | | | | | | | | | R | X | X | R | X | X | R | R | R | R | R | R | | | | | | | | |



| CODE | DESCRIPTION |
|------|-----------------------------------|
| E | MLBF SIGNAL CONTACT, ROW A (3.43) |
| F | MLBF SIGNAL CONTACT, ROW B (3.43) |
| G | MLBF SIGNAL CONTACT, ROW C (3.43) |
| H | MLBF SIGNAL CONTACT, ROW D (3.43) |
| H1 | STD HIGH POWER CONTACT (3.43) |
| HA | METAL HOLD DOWN |
| R | STD SIGNAL CONTACT, ROW A (3.43) |
| S | STD SIGNAL CONTACT, ROW B (3.43) |
| T | STD SIGNAL CONTACT, ROW C (3.43) |
| U | STD SIGNAL CONTACT, ROW D (3.43) |
| X | OMITTED |

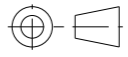
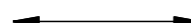

| | | | | | | | | |
|-------------|----------------|------------|--|----|------------------------|-------------------------|----------|--------------|
| dr | Zhen-Hua Liu | 2015/08/27 | projection | MM | size | A3 | scale | 3:2 |
| eng | Zhen-Hua Liu | 2015/09/02 | | | ecn no | | - | |
| chr | Fancy Zhang | 2015/09/02 | | | rel level | | Released | |
| appr | Pei-Ming Zheng | 2015/09/02 | product family | | PwrBlade+ | | | |
| | | | title 7HP + 48S + 8HP RA STB HEADER | | | dwg no 10106262-F012001 | | rev A |
| www.fci.com | | | cat. no. | | Product - Customer Drw | | | sheet 2 of 3 |

NOTES:

- 1) "FCI", PART NUMBER AND DATE CODE TO BE MARKED ON THIS SURFACE.
THE MARK CAN BE OMITTED IF THERE IS NOT ENOUGH SPACE ON THIS SURFACE.
- 2) MATERIALS:
-HOUSING - GLASS FILLED WITH HIGH TEMP THERMOPLASTIC, UL94V-0.
-SIGNAL CONTACT - COPPER ALLOY.
-POWER CONTACT - HIGH CONDUCTIVITY COPPER ALLOY.
- 3) PLATING SPECIFICATION : 10116351
- 4) DENOTES CONNECTOR KEEP OUT ZONE.
- 5) DATUM AND BASIC DIMENIONS WERE ESTABLISHED BY CUSTOMER.
- 6) ALL HOLE DIAMETERS ARE FINISHED HOLE SIZES.
- 7) 1.15 ± 0.025 MM DRILLED HOLE PLATED WITH 0.00762MM MIN Sn
OVER 0.0254-0.0762MM Cu PLATING TO ACHIEVE A 1.02 ± 0.07 MM HOLE.
- 8) PRODUCT SPECIFICATION : GS-12-658.
APPLICATION SPECIFICATION : GS-20-141.
PRODUCT PACKAGE SPECIFICATION : GS-14-1502.



Copyright FCI.

| | | | | | | | | |
|---|----------------|---|---|---|--------------|----------|-------|-----|
| dr | Zhen-Hua Liu | 2015/08/27 | projection  | MM  | size | A3 | scale | 3:2 |
| eng | Zhen-Hua Liu | 2015/09/02 | | | ecn no | - | | |
| chr | Fancy Zhang | 2015/09/02 | | | rel level | Released | | |
| appr | Pei-Ming Zheng | 2015/09/02 | product family | PwrBlade+ | | | | |
|  | | title 7HP + 48S + 8HP RA STB HEADER | | dwg no 10106262-F012001 | rev A | | | |
| www.fci.com | | cat. no. | Product - Customer Drw | | sheet 3 of 3 | | | |