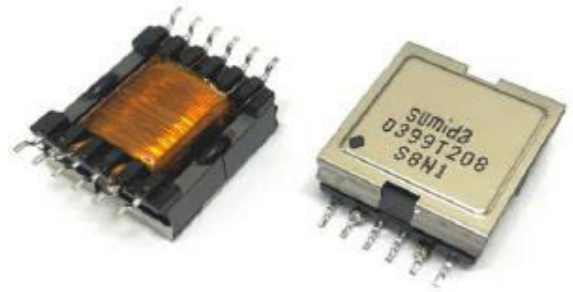


# Flyback Transformer for LT8304-1 CEFD2010 (0399-T208)



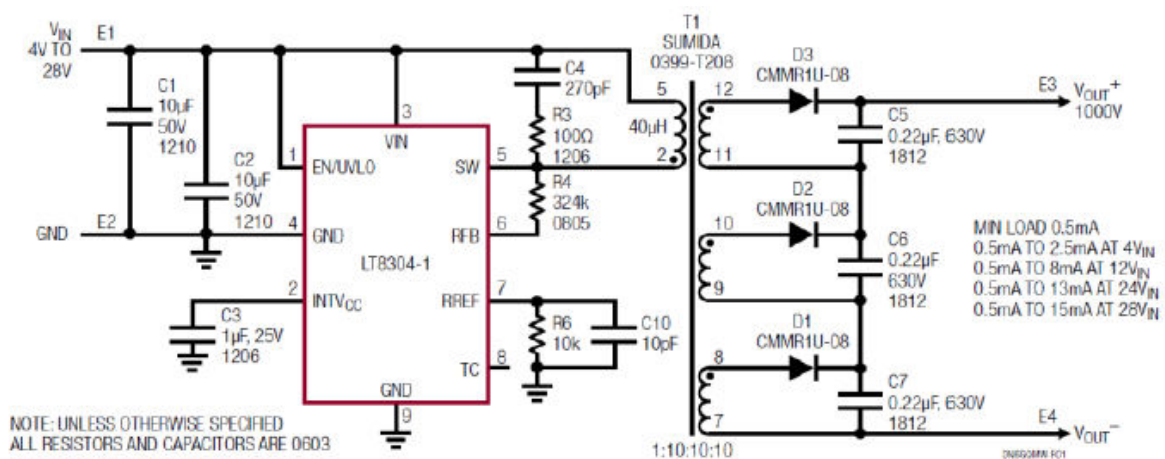
## Descriptions

- Transformer associates LT8304-1 reference design which is an isolated no-opto flyback converter specially optimized for high output voltage applications - providing outputs up to 1000V
- Environmental RoHS compliant without exemption, REACH compliance
- SMD type, size 21 x 21 x 11.8 mm max.
- Terminal platings: Matte Tin and thickness  $\geq 8\mu\text{m}$
- Moisture Sensitivity Level (MSL) 1 (unlimited floor life at  $<30^\circ\text{C}$  /85% relative humidity)
- Operating temperature range:  $-40^\circ\text{C}$  to  $125^\circ\text{C}$  (ambient + Temp rise)
- Storage temperature range:  $-40^\circ\text{C}$  to  $125^\circ\text{C}$
- Maximum heat endurance temperature is  $260^\circ\text{C}$   
Recommended reflow condition as max temperature  $245^\circ\text{C}$  withstand no longer than 40 seconds



## Applications

- Power Supply in Industrial, Automotive, Medical, and Telcom applications with reliable, easy-to-use, high voltage and isolated, and provide excellent regulation over load, line and temperature, output up to 1000V
- Refer to LT8304-1 datasheet and Design Note 1047. Right schematics is a complete 1000V/15mA Isolated Flyback converter from 4V~28V Input



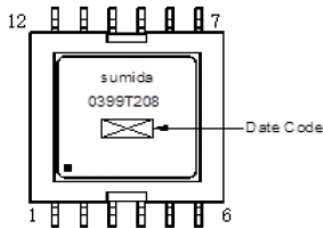
Above reference a Complete 1000V/15mA Isolated Flyback Converter from a 4V~28V Input

Note: This specification is subject to change without notice. Please contact your nearest sales office for updated information when placing an order.

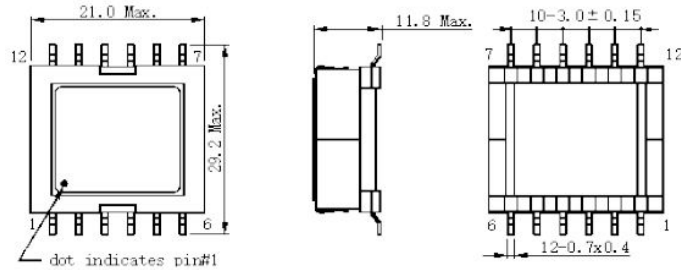
# Flyback Transformer for LT8304-1 CEFD2010 (0399-T208)



## Stamp and Top View

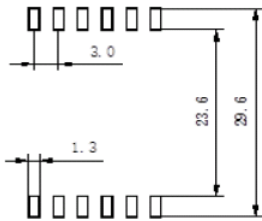


## Dimension - [mm]

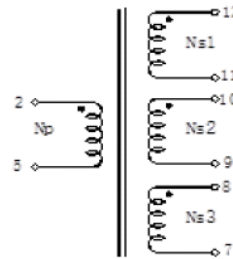


- \* Terminals should be measured the length of the soldered point.
- \* Dimensions without Tolerance are references.

## Land Pattern - [mm]



## Schematics



## Electrical Characteristics (at 25°C unless otherwise specified)

Item	PIN	Specification	Measuring Conditions
Inductance	(5-2)	40 $\mu$ H $\pm$ 10%	100kHz / 0.1Vrms
Leakage Inductance	(5-2)	2.4 $\mu$ H Max. (1.2 $\mu$ H Typ)	100kHz, 0.1 Vrms, Tie 7+8+9+10+11+2
Turns Ratio	Np : Ns1 : Ns2 : Ns3	1 : 10 : 10 : 10	
Hi-Pot	Np-Ns1, Ns2, Ns3	1500 Vrms	1 SEC. 1.0 mA, 50 / 60Hz
	Ns1-Ns2, Ns3		
	Ns2-Ns3		
	(Coil - Core)	500 Vrms	
DCR	(5-2)	100 m $\Omega$ Max. (80 m $\Omega$ Typ)	
	(12-11)	12.65 $\Omega$ Max. (11 $\Omega$ Typ)	
	(10-9)	12.65 $\Omega$ Max. (11 $\Omega$ Typ)	
	(9-7)	12.65 $\Omega$ Max. (11 $\Omega$ Typ)	



For sales office information, please [click here](#) to visit our website.

Note: This specification is subject to change without notice. Please contact your nearest sales office for updated information when placing an order.