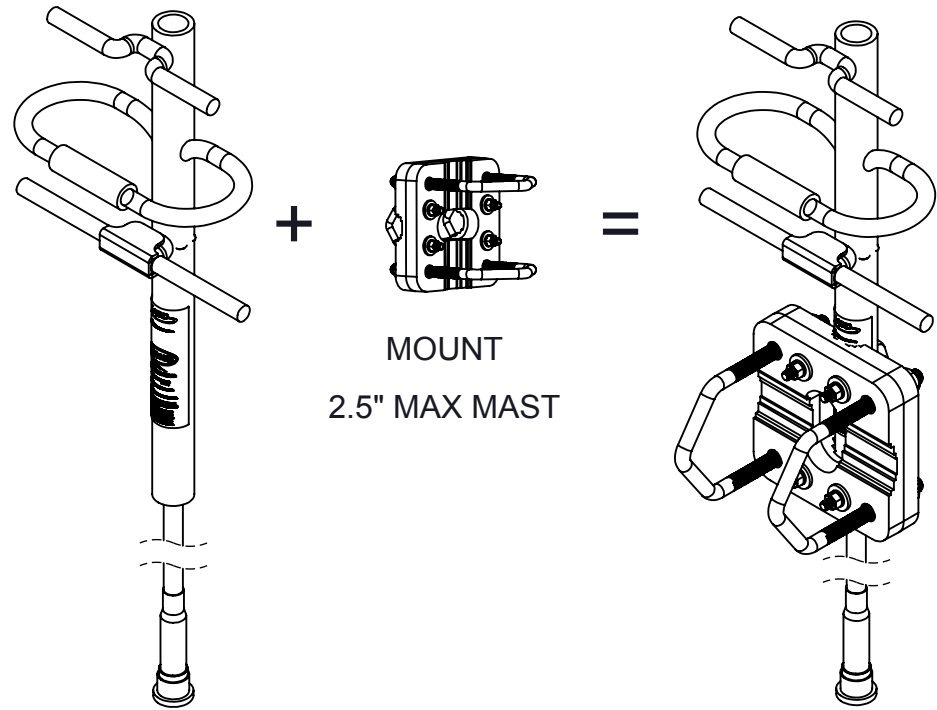
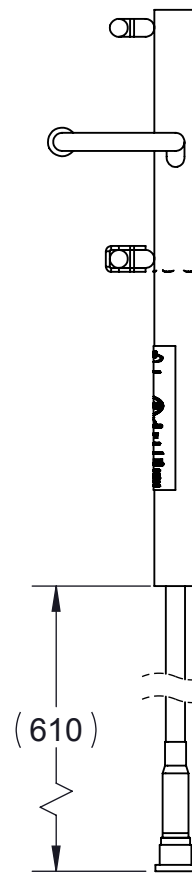
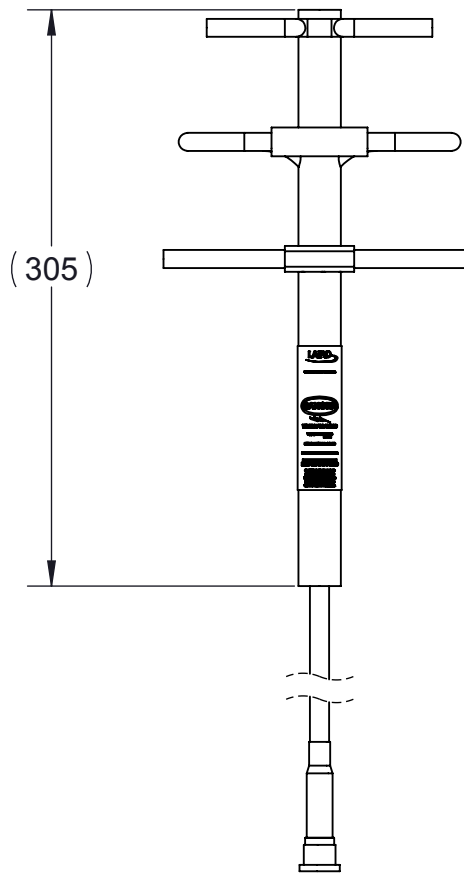
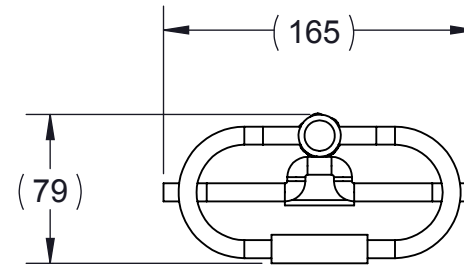



PARAMETER	PERFORMANCE
MODEL NUMBER	YF88008-61NF
FREQUENCY	880-960 MHz
GAIN	8.6 dBi
POLARIZATION	VERTICAL OR HORIZONTAL
RADIATION PATTERN	DIRECTIONAL
VSWR	< 1.5:1
POWER RATING	200 WATTS
IP RATING	IP67
OPERATING TEMPERATURE	-30° C TO +70° C
STORAGE TEMPERATURE	-40° C TO +85° C
OPERATIONAL WIND RATING	100 mph (1.4 lbf load)
SURVIVAL WIND RATING	136 mph (2.6 lbf load)
WEIGHT WITHOUT BRACKET	0.92 lbs
WEIGHT WITH BRACKET	2.44 lbs
FRONT TO BACK RATIO	20dB
TERMINATION	N-FEMALE
CABLE TYPE	RG213
IMPEDANCE	50 ohm TYP.

REVISIONS					
REV.	ECN#	ZONE	DESCRIPTION	CHANGED BY/DATE	APPROVED BY/DATE
AA	ECN-IAS-03974	ALL	INITIAL RELEASE	S.S. 20APR15	R.H. 20APR15
F01	ECN-IAS-05156	ALL	UPDATED THE SPECIFICATION TABLE, MODEL/DWG # WAS YF89008-61NF..	S.J. 08MAR16	K.S. 08MAR16



ANTENNA

MATERIAL: N/A		THIRD ANGLE PROJECTION				
FINISH: N/A		DO NOT SCALE DRAWING				
APPROVALS		DATE		TITLE:		
DRAWN BY	S. SAFVI	20APR15		<p style="text-align: center; font-size: 24pt; font-weight: bold;">YF88008-61NF</p>		
ELEC. ENG.	R. HARO	20APR15				
MECH. ENG.	S. SAFVI	20APR15				
MFG./OPS.	Y. CASTILLO	20APR15				
INTERPRET DIMENSIONING AND TOLERANCING IN ACCORDANCE WITH ASME Y14.5M-2009 TOLERANCES UNLESS OTHERWISE SPECIFIED DIMENSIONS ARE IN MILLIMETERS		ANGLE: ±30' 0 PLACE DECIMAL: ±0.5 1 PLACE DECIMAL: ±0.25 2 PLACE DECIMAL: ±0.13 SURFACE ROUGHNESS 1.6/√		SIZE	DWG. NO.	REV
				<b>A3</b>	<b>YF88008-61NFMO</b>	<b>F01</b>
				SCALE: 1:4	PREVIOUS#	SHEET 1 OF 1

THIS DRAWING IS UNPUBLISHED.	RELEASED FOR PUBLICATION
© Copyright 2022 TE Connectivity Ltd.	ALL RIGHTS RESERVED.