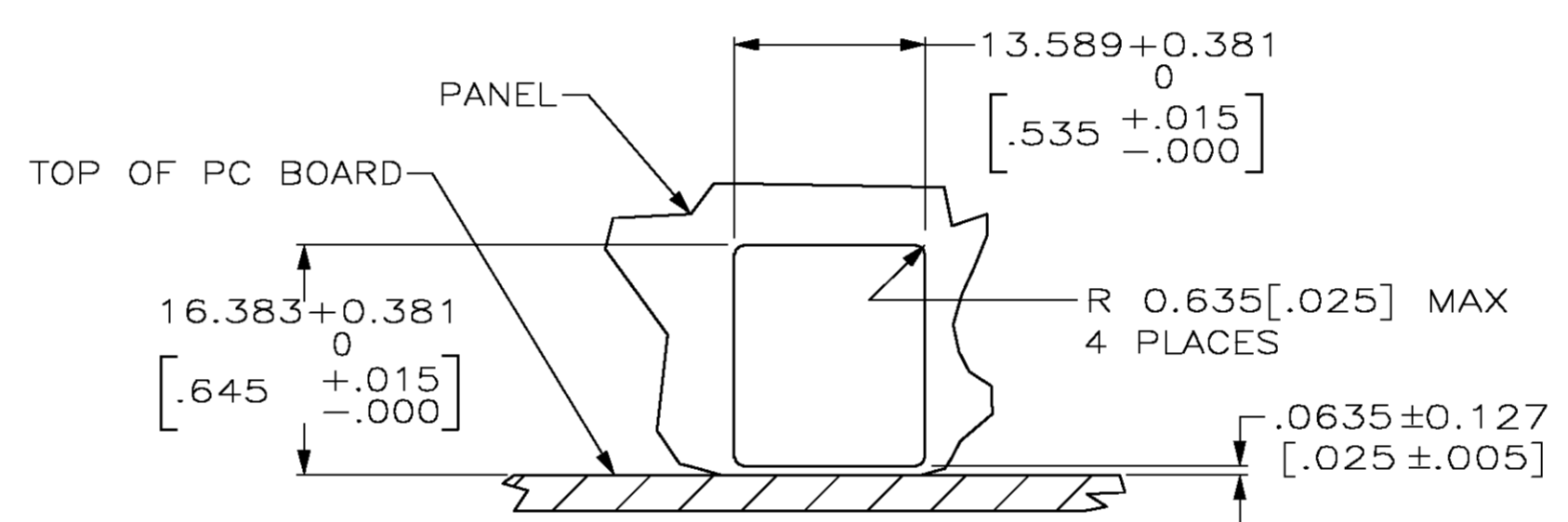
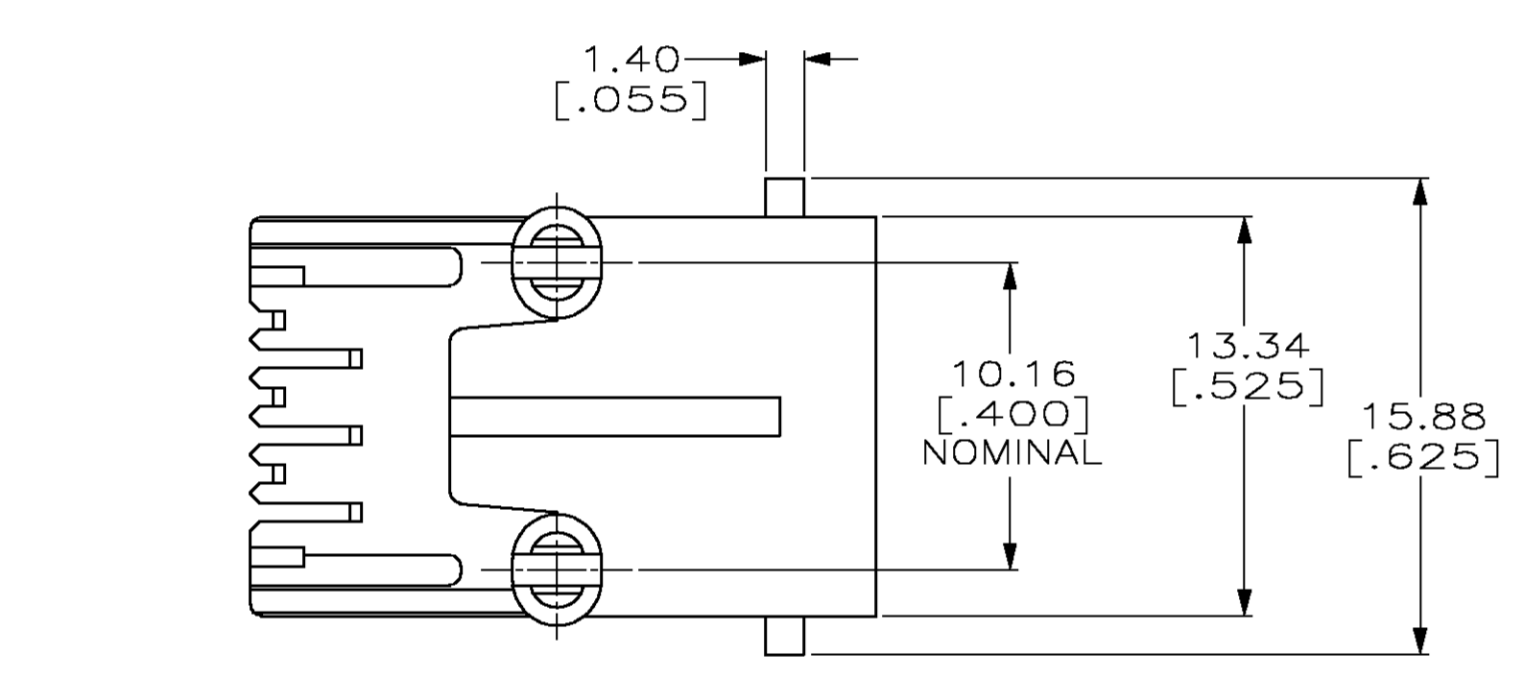
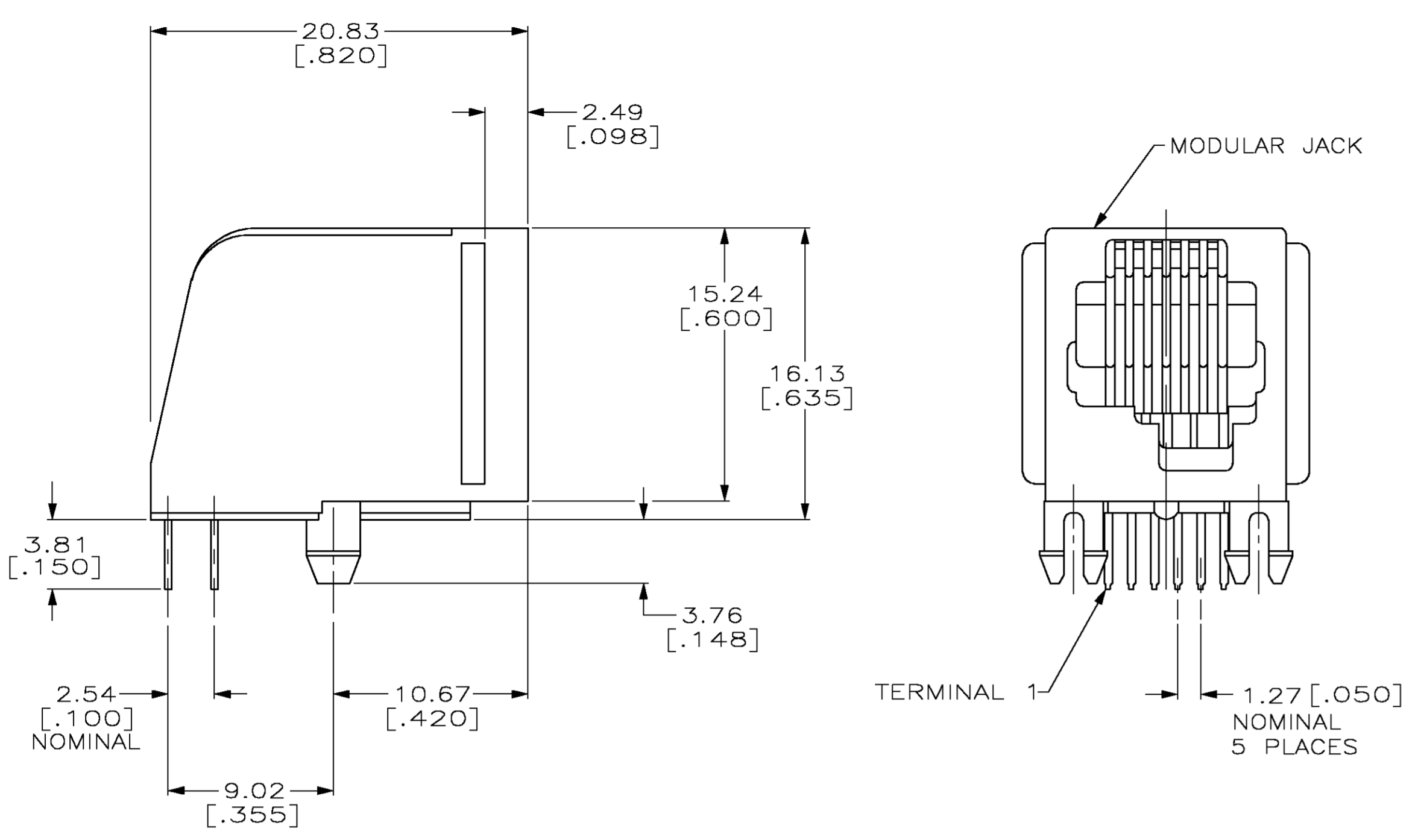
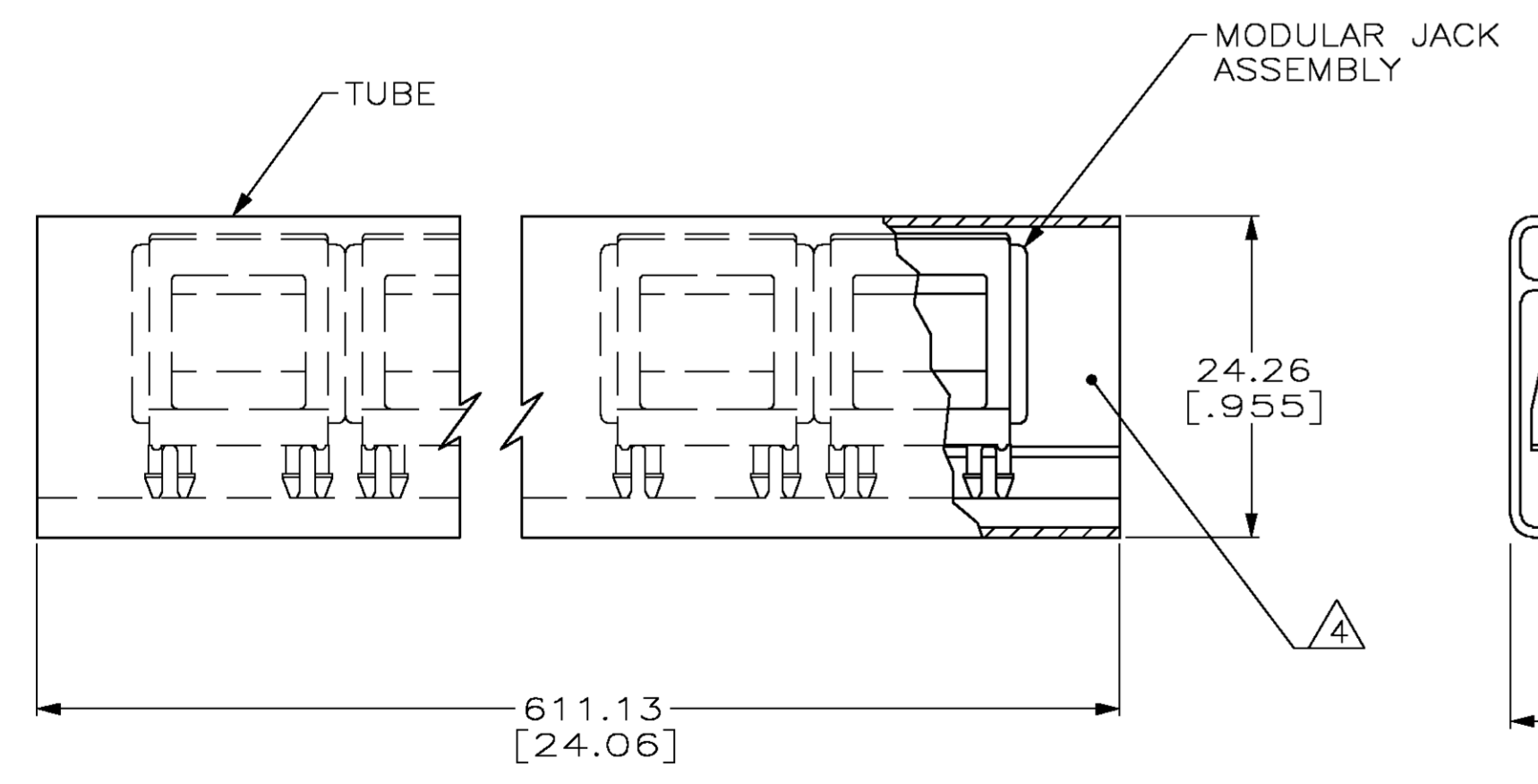


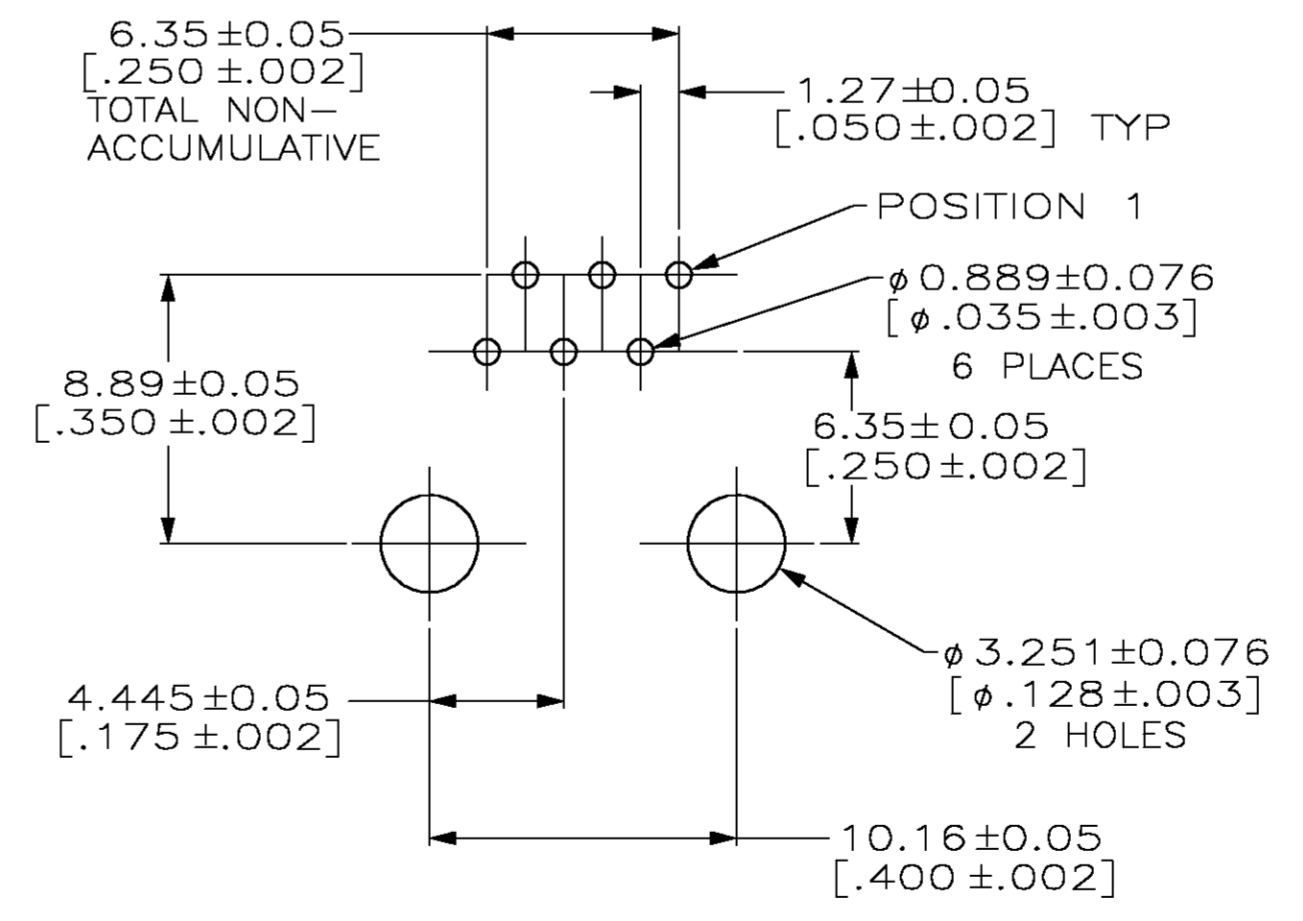
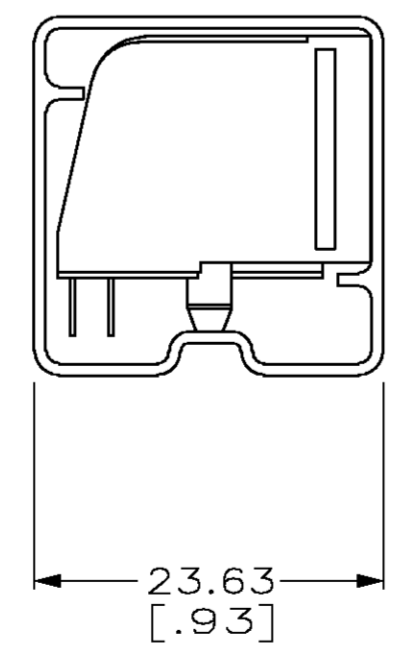
LOC		DIST		REVISIONS			
P	LR	DATE	BY	APPD			
H		19MAR03	DD	BK			



SUGGESTED PANEL CUTOUT
SCALE 2:1



DETAIL B
SCALE 2:1



SUGGESTED PC BOARD LAYOUT
CIRCUIT SIDE SHOWN

- 1 MATERIAL: HOUSING - PBT POLYESTER, SEE TABLE FOR COLOR.
TERMINAL - 0.35 [.0138] THICK PHOS-BRONZE PLATED WITH 1.27μm [.000050] THICK HARD GOLD IN LOCALIZED GOLD PLATE AREA AND 2.03μm [.000080] THICK TIN-LEAD IN SOLDER AREA OVER 1.27μm [.000050] THICK NICKEL UNDERPLATE.
- 2 ALL DIMENSIONS SHOWN ARE MAXIMUM UNLESS OTHERWISE SPECIFIED.
- 3 BULK PACKAGED IN A TRAY.
- 4 PACKAGED 36 ASSEMBLIES PER TUBE WITH BOTH ENDS CLOSED. SEE DETAIL B.

REVISION	DESCRIPTION	DATE	BY	APPD
3	BLACK	6	555003-3	
4	GRAY	6	555003-2	
3	GRAY	6	555003-1	

THIS DRAWING IS A CONTROLLED DOCUMENT.

DIMENSIONS:	TOLERANCES UNLESS OTHERWISE SPECIFIED:	DIN	12 FEB 95	tyco	Tyco Electronics Corporation
MM	0 PLC ± -	L. McEACHIN/UTA	27 APR 95	Electronics	Harrisburg, PA 17105-3608
	1 PLC ± -	N. JONES	03 MAY 95		
	2 PLC ± -	EC LAURER			
	3 PLC ± -				
	4 PLC ± -				
	ANGLES ± -				
MATERIAL	FINISH	APPROVED	PRODUCT SPEC	MODULAR JACK ASSEMBLY, SIDE ENTRY, WITH RIGHT HAND LATCH, 6 POSITION, FLANGELESS, WITH PANEL STOPS	
		108-1163	APPLICATION SPEC	SIZE	CAGE CODE
		114-2048	WEIGHT	A1	00779
			CUSTOMER DRAWING	SCALE	4:1
				SHEET	1 OF 1
				REV	H