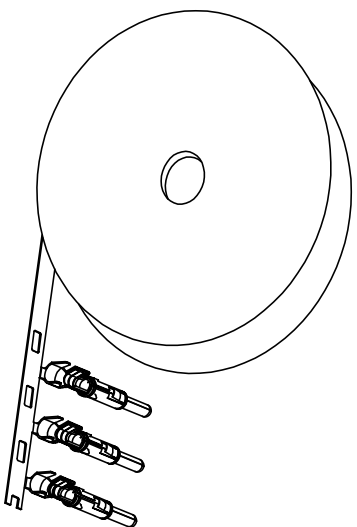
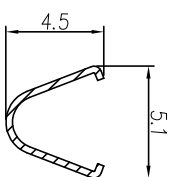


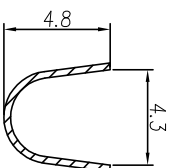
| REVOLUTIONS |     |                  |             |       |
|-------------|-----|------------------|-------------|-------|
| REV         | ECO | DESCRIPTION      | DATE        | BY    |
| A1          | -   | RELEASED DRAWING | Sept-7-2016 | Ben   |
| A2          | -   | Updating Drawing | Oct-16-17   | Tommy |



CONTACT ORIENTATION ON ROLL



SECTION C-C

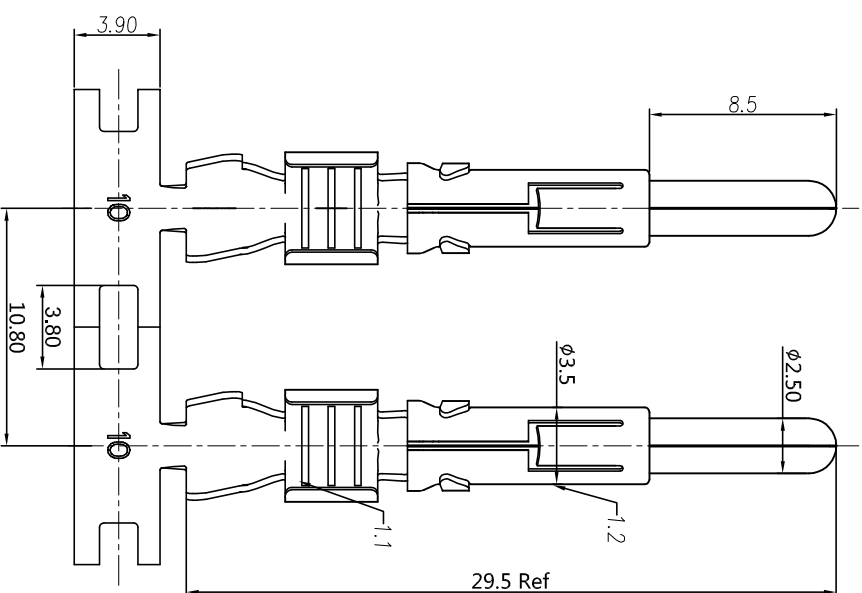


SECTION D-D

NOTES : (UNLESS OTHERWISE SPECIFIED)

1. MATERIAL :
  - 1.1. CONTACT BODY : COPPER ALLOY.
  - 1.2. OUTER SPRING : STAINLESS STEEL.
2. SPECIFICATIONS :
  - 2.1 CURRENT RATING : 23A MAX.
  - 2.2 TERMINATION TYPE : CRIMPING.
  - 2.3 WIRE RANGE : 4.0mm<sup>2</sup>.
  - 2.4 WIRE INSULATION DIA(MAX) :  $\phi$ 4.3mm.
3. ROHS COMPLIANT.
4. ALL DIMENSIONS ARE FOR REFERENCE USE ONLY.

| P/N          | CONTACT PLATING(MATING AREA)        |
|--------------|-------------------------------------|
| SP12A1T-10   | TIN PLATING OVER NICKEL.            |
| SP12A1F-10   | GOLD FLASH PLATING OVER NICKEL.     |
| SP12A1G10-10 | 10 $\mu$ "GOLD PLATING OVER NICKEL. |
| SP12A1G15-10 | 15 $\mu$ "GOLD PLATING OVER NICKEL. |
| SP12A1G30-10 | 30 $\mu$ "GOLD PLATING OVER NICKEL. |



| QUANTITY | PART NUMBER | DESCRIPTION   | ITEM |
|----------|-------------|---|------|
| 1        | SP12A1XX-10 | ECO-MATE PIN CONTACT, STAMPED, 4.0mm <sup>2</sup> , 2.5mm | 0F5  |

MATERIALS LIST

| SIGNATURES      | DATE      |
|-----------------|-----------|
| DRAWN: Ben      | 00T-16-17 |
| CHECKED: Tod    | 00T-16-17 |
| ENGINEER: Tommy | 00T-16-17 |
| APPROVAL: Tommy | 00T-16-17 |

|   |                                       |   |   |                               |
|---|---------------------------------------|---|---|-------------------------------|
| UNLESS OTHERWISE SPECIFIED<br>TYPICAL DIMENSIONS ARE IN MILLIMETERS.<br>2) Tolerances are as follows:<br>1 PL, DEC 40, 30 Fractions, 1/16"<br>3 PL, DEC 40, 08 Angles, 1° | PROCESS SPECIFICATIONS:<br>NEXT ASSY: | THIS DRAWING IS SUPERSEDED BY THE LATEST REVISIONS. SPECIFICATIONS AND PERFORMANCE DATA ARE THE PROPERTY OF AMPHENOL CORPORATION. NO PARTS OF REPRODUCTION ARE PERMITTED. ALL MANUFACTURING VARIATIONS SHALL BE REPORTED TO THE CUSTOMER. | SIZE: B<br>TYPE: C-<br>DWG NO: SP12A1XX-10<br>SCALE: NONE | REVISION: A2<br>SHEET: 1 OF 1 |
|---|---------------------------------------|---|---|-------------------------------|

**Amphenol**  
Sine Systems - www.amphenol-sine.com  
44724 Morley Drive  
Clinton Township, MI 48036

ECO-MATE PIN CONTACT,  
STAMPED, 4.0mm<sup>2</sup>, 2.5mm CONTACT