



### Electrical Specifications

**Cutoff Frequency:** 121.5 MHz  
**Pass Band:** DC-121.5 MHz  
**Insertion Loss:** 0.75 dB Max in pass band  
**Return Loss:** 15 dB Min in pass band  
**Rejection:** >60 dB @ 243 MHz  
>60 dB @ 403 MHz  
**Power Handling:** 60 W Max

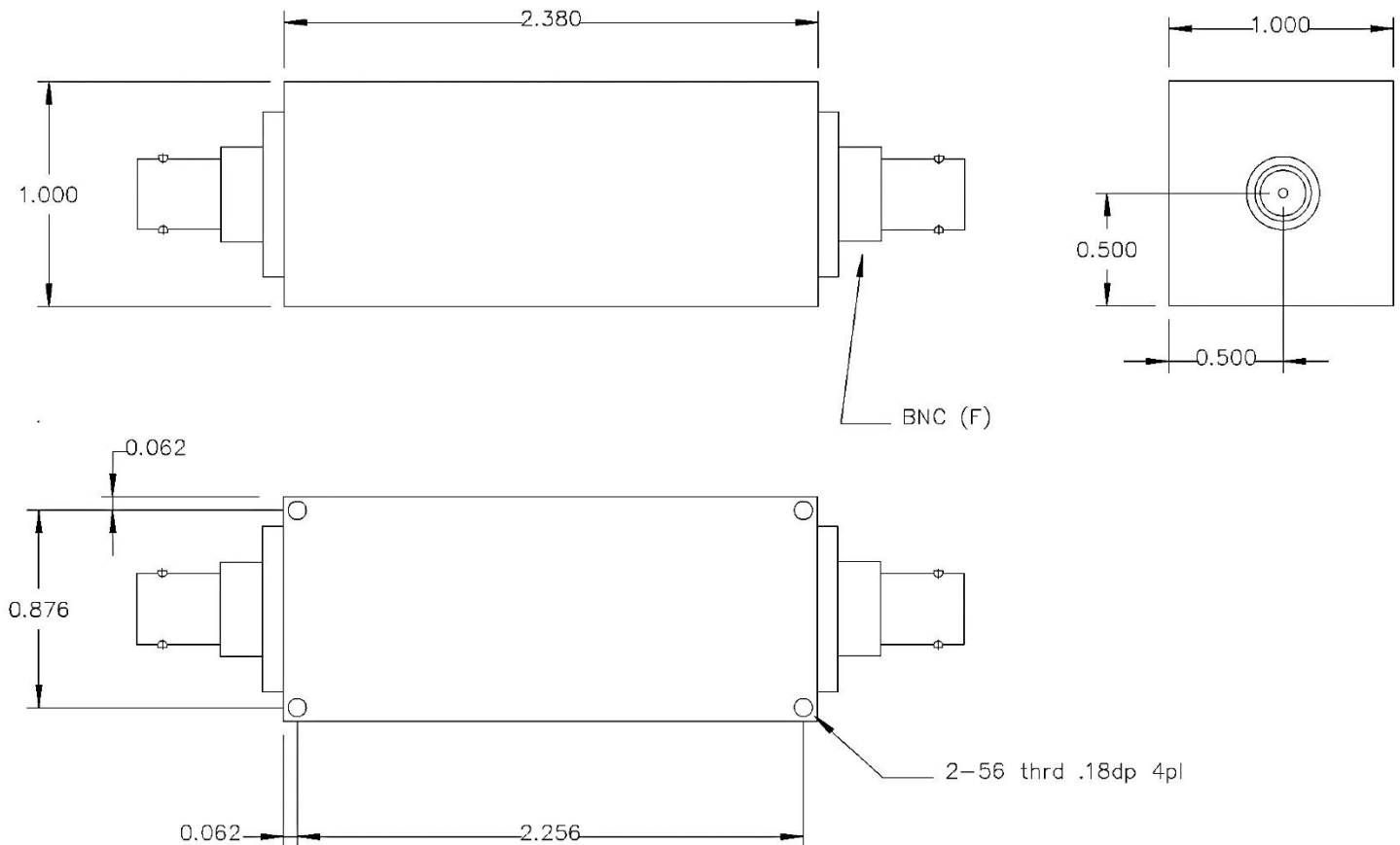
### Mechanical

**Connector Type:** BNC (F)  
**Dimensions:** 2.38 x 1.0 x 1.0 Inches

### Environmental

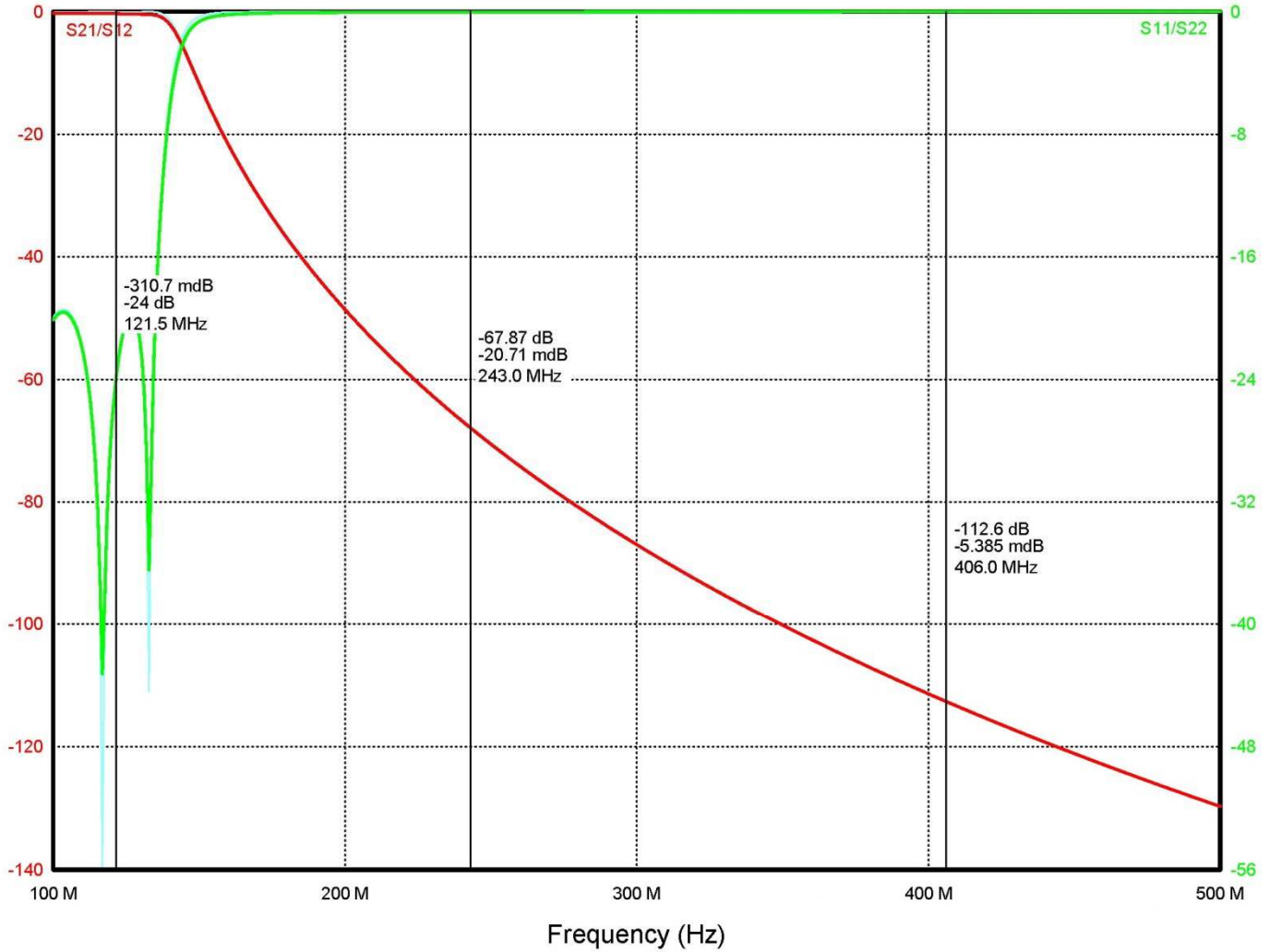
**Operating Temperature:** -40 to +85° C  
**Storage Temperature:** -55 to +125° C  
**Shock:** 20 G. 11 ms  
**Vibration:** 20 G. 5 to 200 MHz

### Outline Drawing:





### Response Plot:



**Note:** This is a simulation plot. Actual results may differ once the product is implemented.