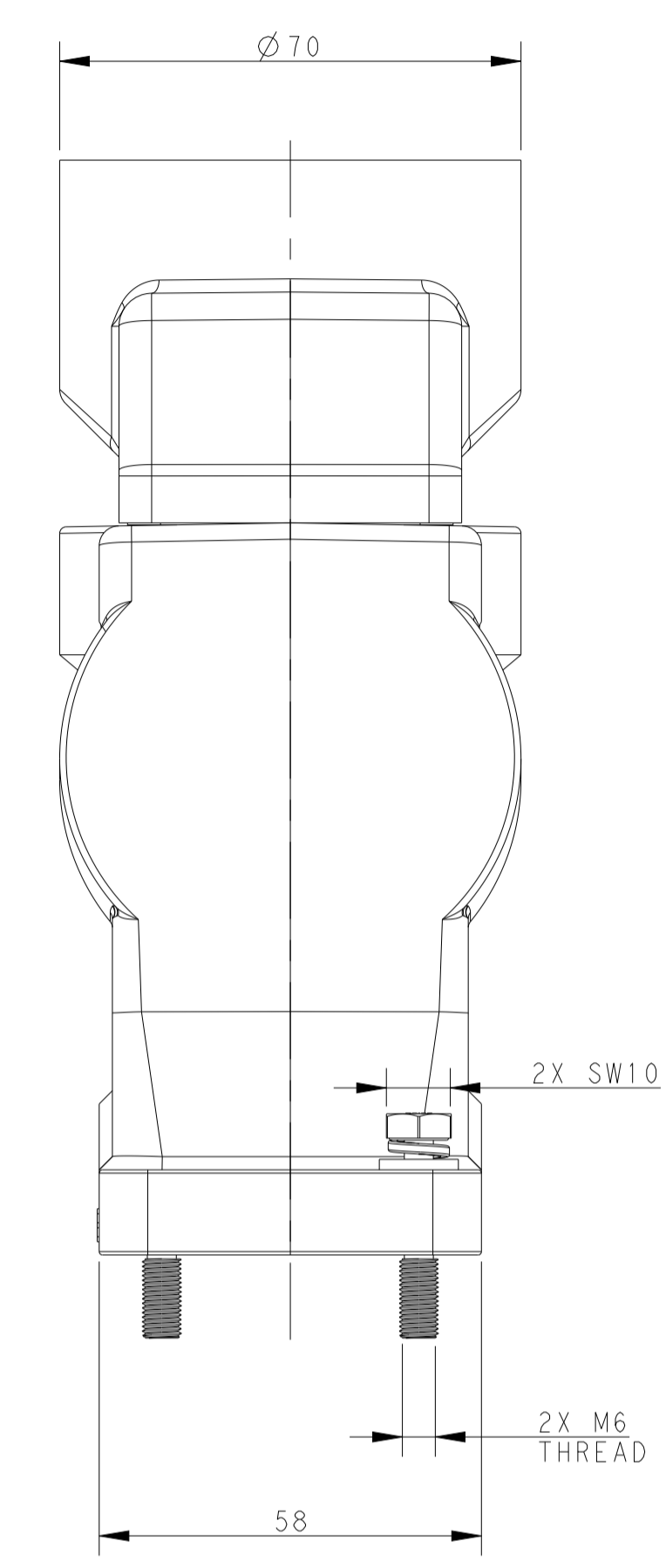
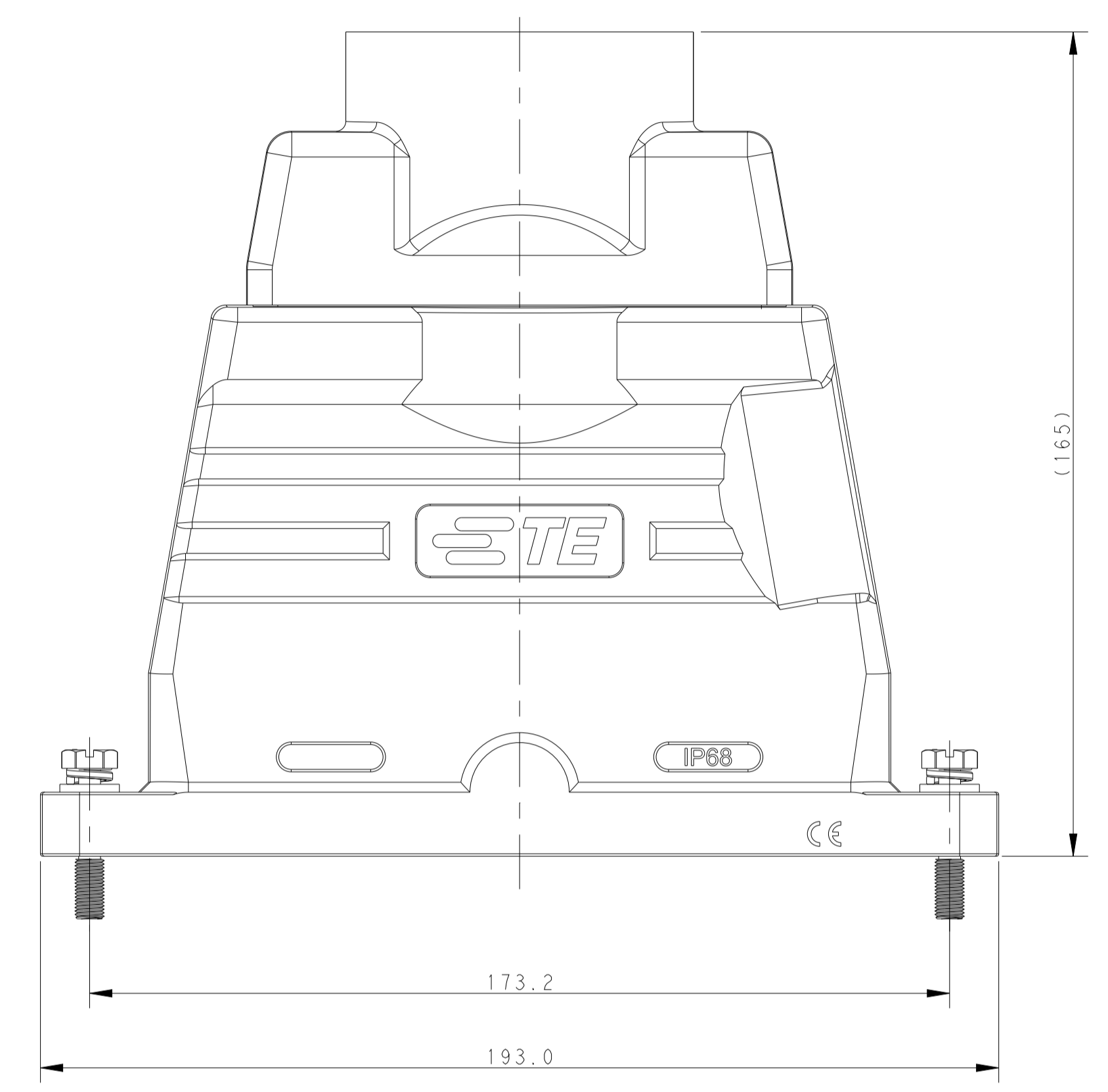
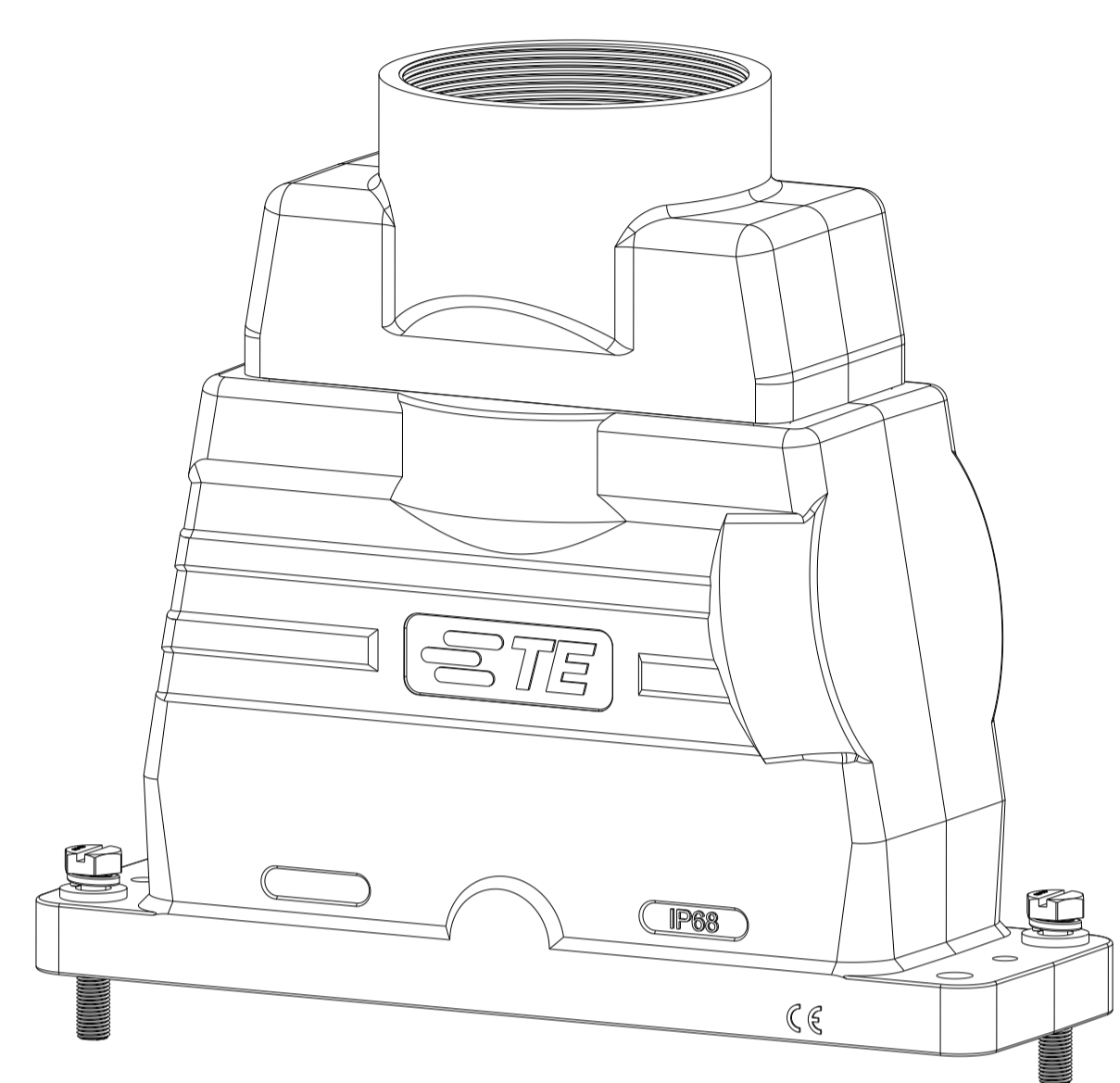
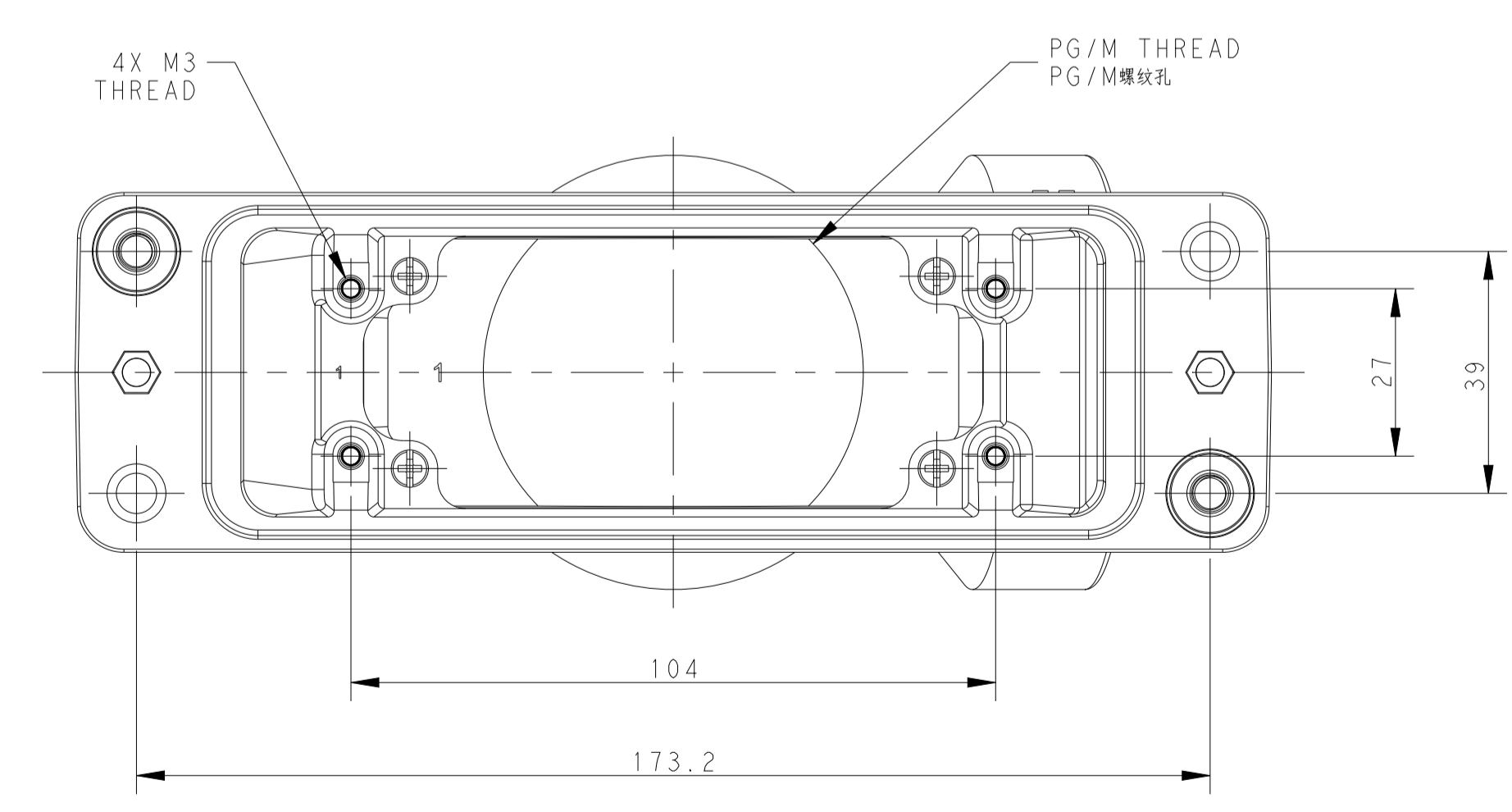


REVISIONS				
P	LTN	DESCRIPTION	DATE	APPD
A		INITIAL	03JUN2016	RL CW
A1		ECR-16-012141	30AUG2016	RL CW
A2		ECR-16-015006	26OCT2016	RL CW
B		ECR-20-014403	20MAY2021	BS CW



NOTES:
 1. TECHNICAL CHARACTERISTICS:
 HOOD MATERIAL: DIE CAST ALUMINIUM ALLOY
 SURFACE TREATMENT: POWDER COATED, BLACK
 DEGREE OF PROTECTION: IP68 (MATED)

注释:
 1. 技术参数:
 壳体材料: 铝合金
 表面处理: 黑色粉末喷涂
 防护等级: IP68 (配合)



T1926240150-000	H24BPR-TGXH-4S-M50	H24BPR HEIGHTEN HOOD, QUADRANGLED LOCKING, TOP ENTRY M50, POWDER COATED, BLACK H24BPR加高上壳, 四角锁定, 顶出M50, 黑色粉末喷涂	M50
T1926240163-000	H24BPR-TGXH-4S-M63	H24BPR HEIGHTEN HOOD, QUADRANGLED LOCKING, TOP ENTRY M63, POWDER COATED, BLACK H24BPR加高上壳, 四角锁定, 顶出M63, 黑色粉末喷涂	M63
PART NUMBER 料号	PART DESCRIPTION 描述		PG/M THREAD PG/M螺纹孔

THIS DRAWING IS A CONTROLLED DOCUMENT.

DIMENSIONS:	TOLERANCES UNLESS OTHERWISE SPECIFIED:	OWN: ROY LIU 03JUN2016	CHK: KYLE ZENG 03JUN2016	APVD: CHRIS WANG 03JUN2016	NAME: H24BPR-TGXH-4S-MXX
mm	0 PLC ± 1 PLC ± 2 PLC ± 3 PLC ± 4 PLC ± ANGLES ± FINISH ±	PRODUCT SPEC 108-137014	APPLICATION SPEC 114-137014	SIZE: A1	CAGE CODE: -
MATERIAL:		WEIGHT: -	CUSTOMER DRAWING	SCALE: 1:1	SHEET: 1 OF 1

RESTRICTED TO: B