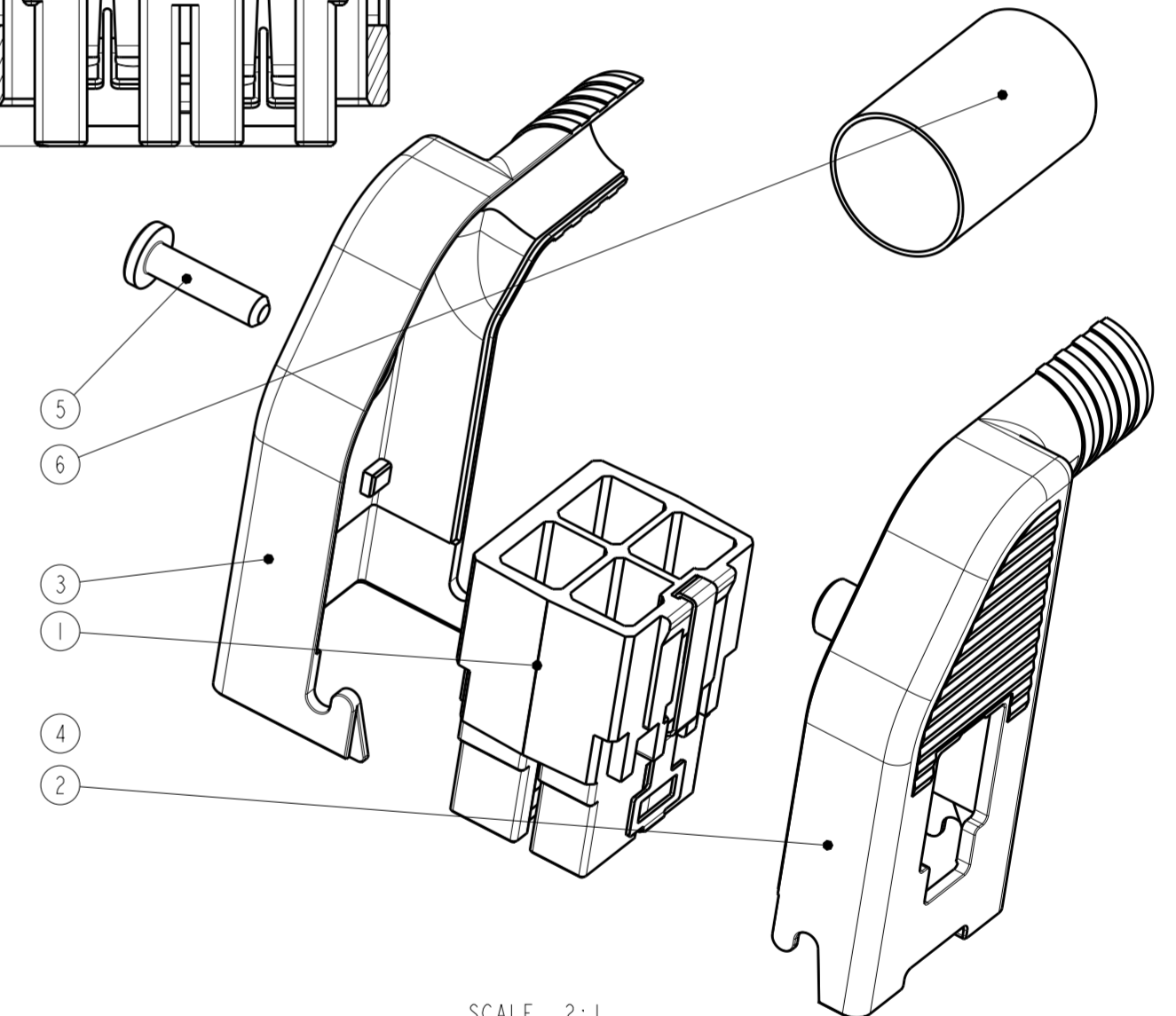
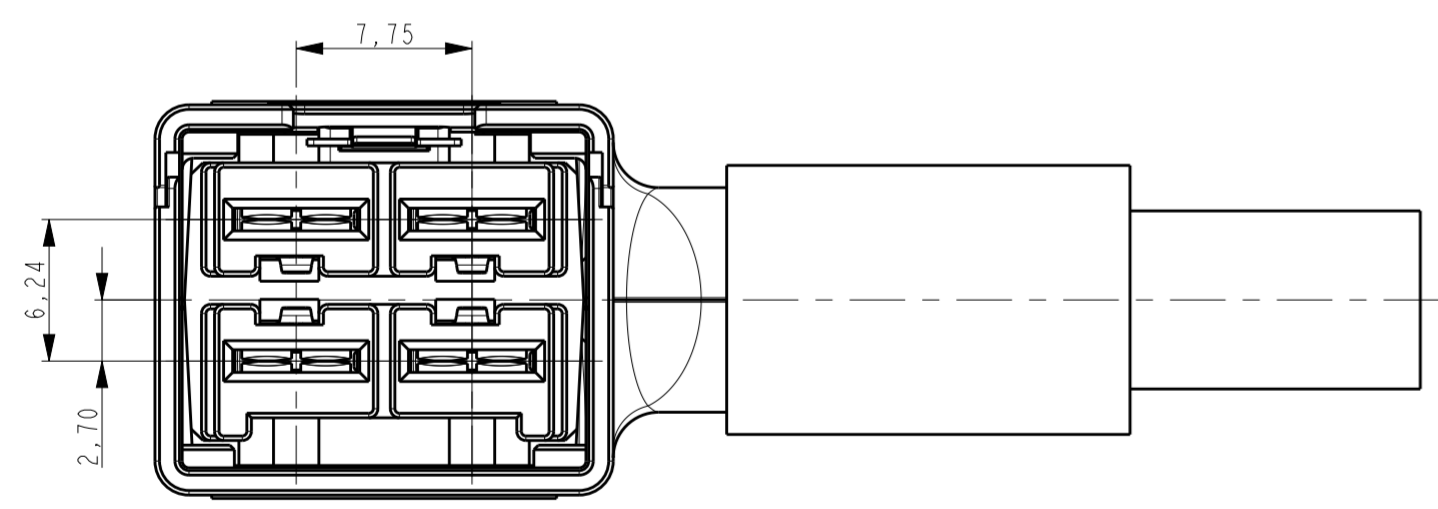
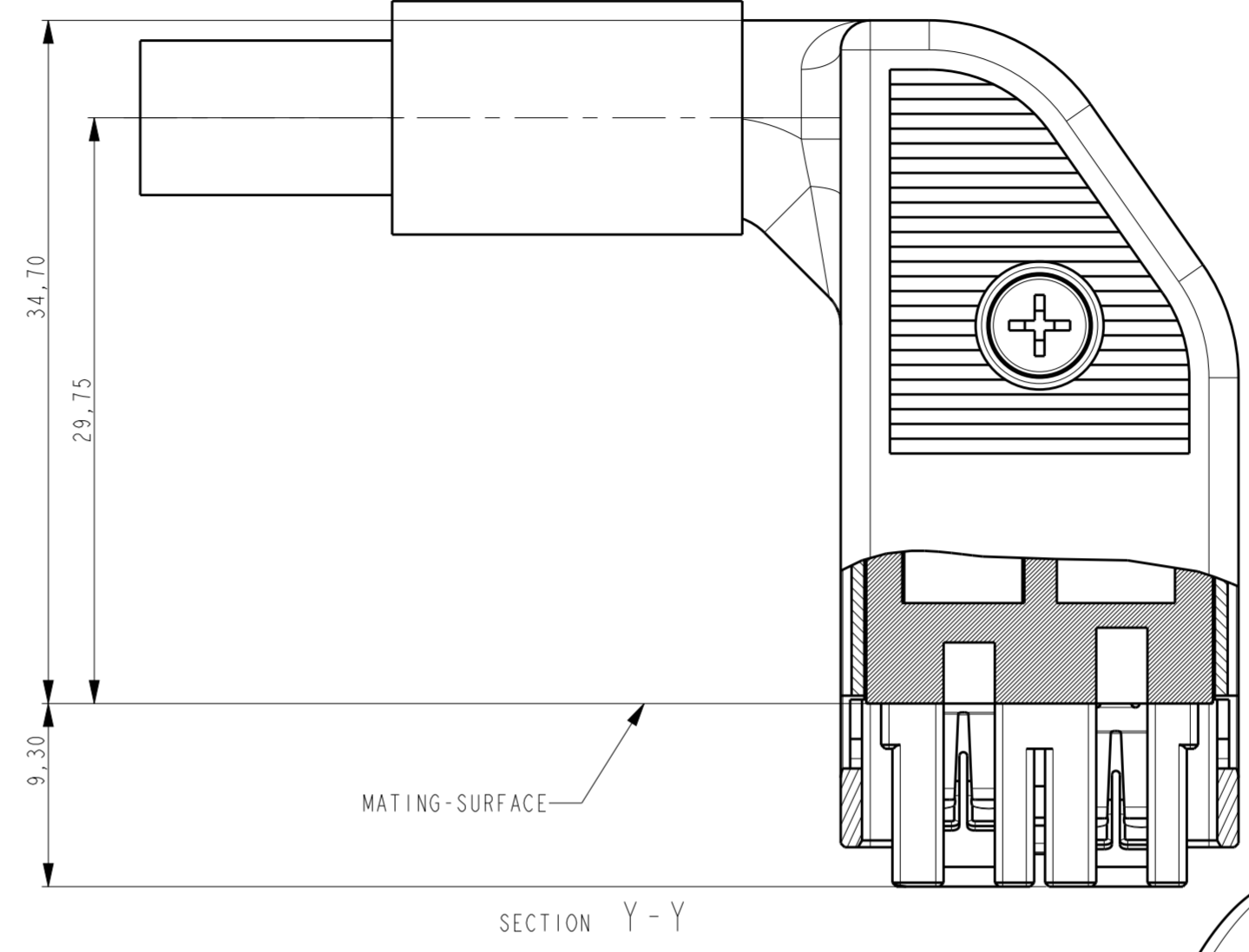
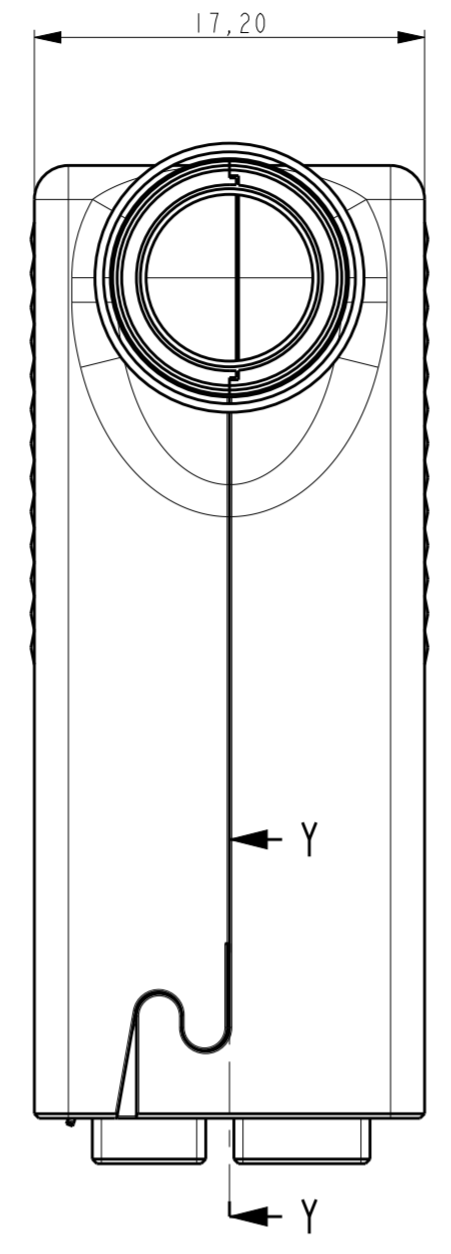
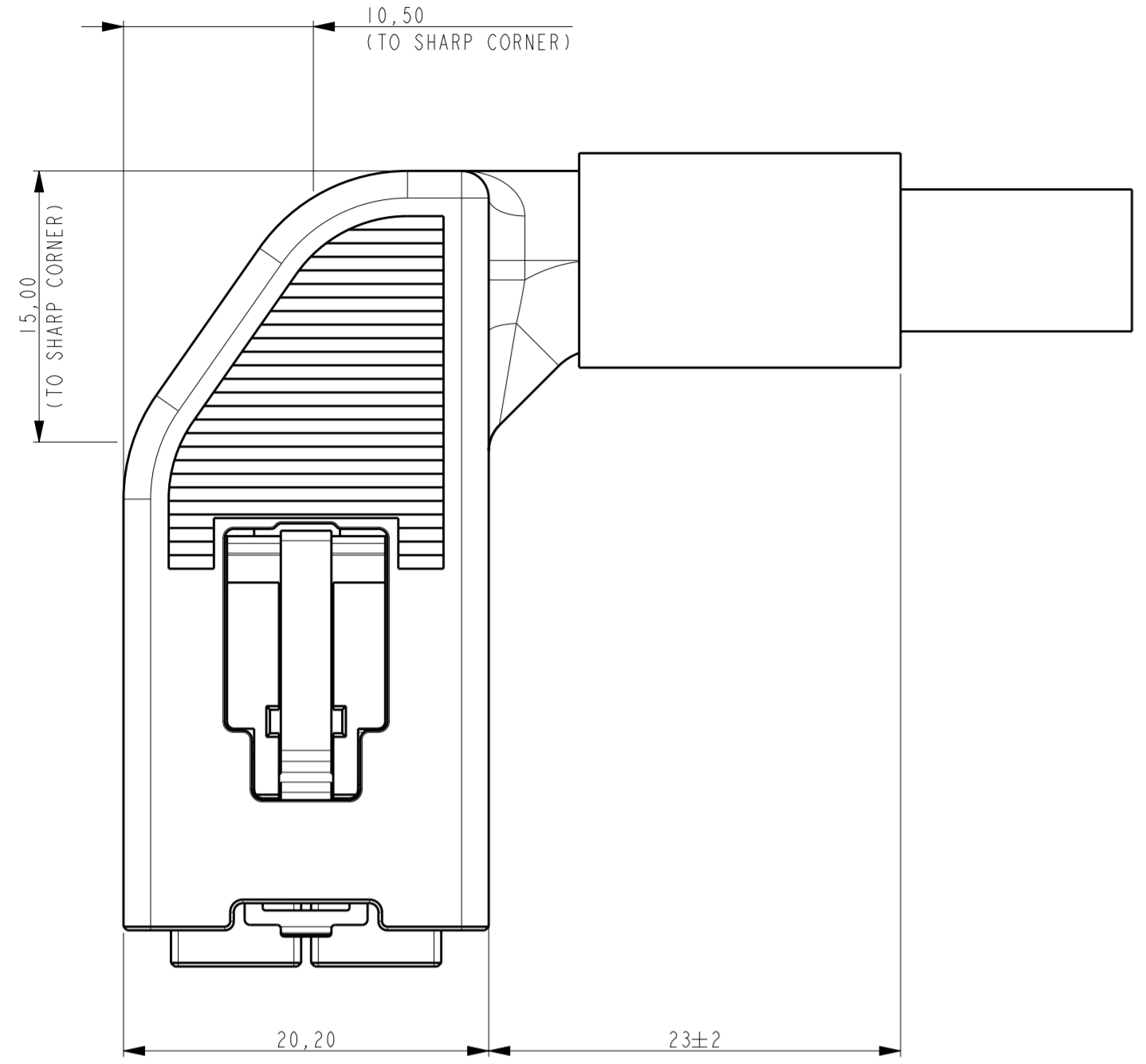


THIS DRAWING IS UNPUBLISHED. RELEASED FOR PUBLICATION
 © COPYRIGHT BY TYCO ELECTRONICS CORPORATION. ALL RIGHTS RESERVED.

LOC		DIST		REVISIONS			
P	LTR	DESCRIPTION	DATE	DWN	APVD		
A		RELEASED PER ECR-12-015155	31OCT2012	JvdH	TdB		
B		REV PER ECO-16-014059	10JAN2017	WY	SZ		



SCALE 2:1

NOTES:
 1 USE FOR (SILVER PLATED) STANDARD POWER TIMER CONTACTS. FOR CONTACTS PARTNUMBERS SEE DWG. C-1355048 VERSION A ALLOWED MAX WIRE SIZE 14AWG.

ITEM	QUANT	DESCRIPTION	MATERIAL	FINISHING
6	1	FERRULE	COPPER	PLATING: Sn
5	1	SCREW M2,5x10	STEEL	Zn-PLATED
4	1	LATCH	STAINLESS STEEL	NOT APPLICABLE
3	1	BACK SHELL	ZINK ALLOY	PLATING: Sn OVER Ni OVER Cu
2	1	FRONT SHELL	ZINK ALLOY	PLATING: Sn OVER Ni OVER Cu
1	1	CONTACT-HOUSING	PBT 20%GF	NOT APPLICABLE

THIS DRAWING IS A CONTROLLED DOCUMENT.

DWN	J. Smits	CHK		APVD	T. de Boer	NAME	TE Connectivity			
DIMENSIONS:		TOLERANCES UNLESS OTHERWISE SPECIFIED:		PRODUCT SPEC		ELCON Mini, 4-position shielded cable backshell kit				
mm		0 PLC ±0,1 1 PLC ±0,1 2 PLC ±0,1 3 PLC ± 4 PLC ±		108-19429		SIZE		CAGE CODE	DRAWING NO	RESTRICTED TO
MATERIAL		FINISH		114-32039		A2		00779	C-2173168	
Customer Drawing						SCALE 3:1		SHEET 1 OF 1		REV B