

1586702-1 ✓ ACTIVE

MATE-N-LOK | Universal MATE-N-LOK

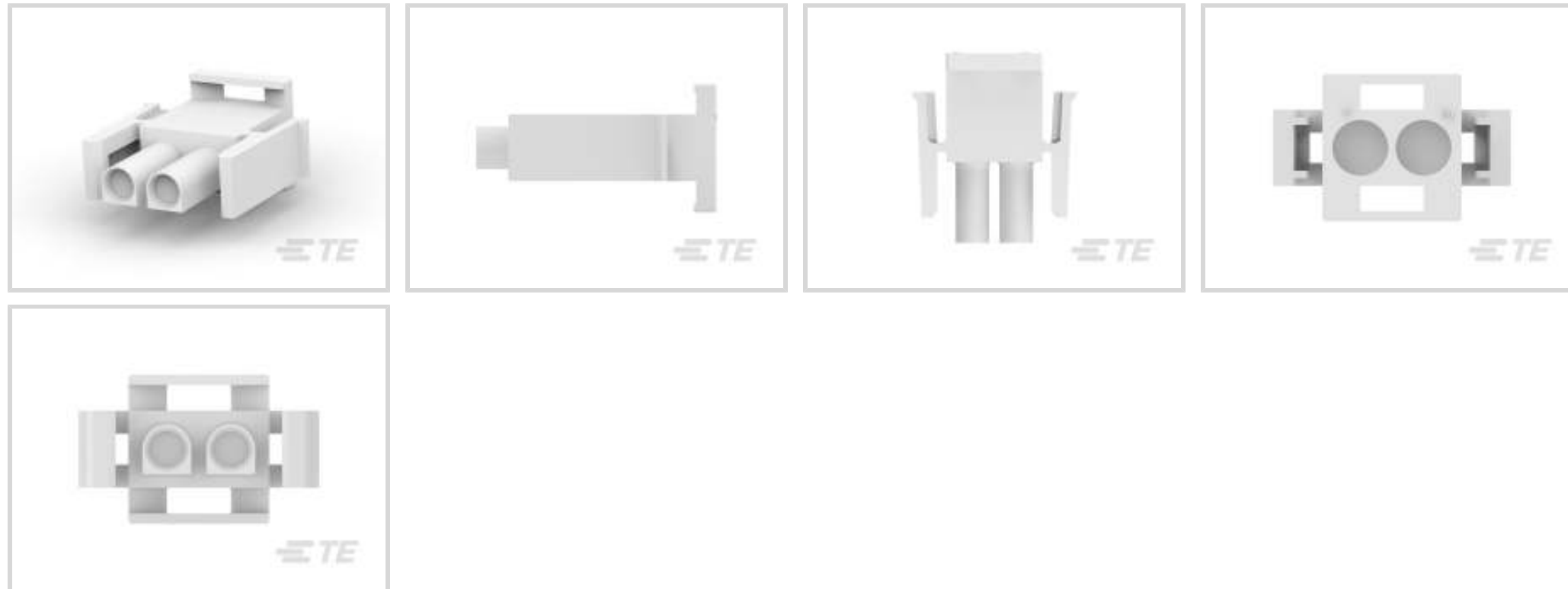
TE Internal #: 1586702-1

Rectangular Power Connectors, Housing, Plug, Wire-to-Wire / Wire-to-Board, 2 Position, 6.35 mm [.25 in] Centerline, Wire & Cable, Universal MATE-N-LOK

[View on TE.com >](#)



Connectors > Power Connectors > Rectangular Power > Rectangular Power Connectors



Rectangular Power Connector Type: **Housing**

Connector & Housing Type: **Plug**

Connector System: **Wire-to-Board, Wire-to-Wire**

Number of Positions: **2**

Centerline (Pitch): **6.35 mm [.25 in]**

Features

Product Type Features

Rectangular Power Connector Type	Housing
Connector & Housing Type	Plug
Connector System	Wire-to-Board, Wire-to-Wire
Sealable	No
Connector & Contact Terminates To	Wire & Cable

Configuration Features

Number of Positions	2
Number of Rows	1

Electrical Characteristics

Operating Voltage	600 VAC
-------------------	---------

Contact Features

Multiple Contact Types	Without
Contact Layout	Inline
Contact Retention Within Housing	Without



Contact Type	Socket
--------------	--------

Termination Features

Termination Method to Wire & Cable	Crimp
------------------------------------	-------

Mechanical Attachment

Panel Mount Feature	Without
---------------------	---------

Connector Mounting Type	Cable Mount (Free-Hanging)
-------------------------	----------------------------

Housing Features

Centerline (Pitch)	6.35 mm [.25 in]
--------------------	------------------

Housing Color	Natural
---------------	---------

Housing Material	Nylon
------------------	-------

Dimensions

Connector Height	27.43 mm [1.08 in]
------------------	--------------------

Product Width	7.62 mm [.3 in]
---------------	-----------------

Product Length	13.97 mm [.549 in]
----------------	--------------------

Usage Conditions

Operating Temperature Range	-55 – 105 °C [-67 – 221 °F]
-----------------------------	-----------------------------

Operation/Application

Circuit Application	Power & Signal
---------------------	----------------

Identification Marking

Circuit Identification Feature	Without
--------------------------------	---------

Industry Standards

CSA Rating	Certified, LR 7189
------------	--------------------

UL Rating	Recognized
-----------	------------

Agency/Standard	CSA, UL
-----------------	---------

Approved Standards	UL E28476
--------------------	-----------

UL Flammability Rating	UL 94V-2
------------------------	----------

Glow Wire Rating	Standard Part - Not Glow Wire
------------------	-------------------------------

Packaging Features

Packaging Quantity	1
--------------------	---

Packaging Method	Package
------------------	---------



Product Compliance

[For compliance documentation, visit the product page on TE.com>](#)

EU RoHS Directive 2011/65/EU	Compliant
EU ELV Directive 2000/53/EC	Compliant
China RoHS 2 Directive MIIT Order No 32, 2016	No Restricted Materials Above Threshold
EU REACH Regulation (EC) No. 1907/2006	Current ECHA Candidate List: JUNE 2023 (235) Candidate List Declared Against: JAN 2023 (233) Does not contain REACH SVHC
Halogen Content	Low Halogen - Br, Cl, F, I < 900 ppm per homogenous material. Also BFR/CFR/PVC Free
Solder Process Capability	Not applicable for solder process capability

Product Compliance Disclaimer

This information is provided based on reasonable inquiry of our suppliers and represents our current actual knowledge based on the information they provided. This information is subject to change. The part numbers that TE has identified as EU RoHS compliant have a maximum concentration of 0.1% by weight in homogenous materials for lead, hexavalent chromium, mercury, PBB, PBDE, DBP, BBP, DEHP, DIBP, and 0.01% for cadmium, or qualify for an exemption to these limits as defined in the Annexes of Directive 2011/65/EU (RoHS2). Finished electrical and electronic equipment products will be CE marked as required by Directive 2011/65/EU. Components may not be CE marked. Additionally, the part numbers that TE has identified as EU ELV compliant have a maximum concentration of 0.1% by weight in homogenous materials for lead, hexavalent chromium, and mercury, and 0.01% for cadmium, or qualify for an exemption to these limits as defined in the Annexes of Directive 2000/53/EC (ELV). Regarding the REACH Regulation, the information TE provides on SVHC in articles for this part number is based on the latest European Chemicals Agency (ECHA) 'Guidance on requirements for substances in articles' posted at this URL: <https://echa.europa.eu/guidance-documents/guidance-on-reach>

Compatible Parts

 <p>TE Part # 1-350777-2 02P UMNL V0 PLUG HSG RED</p>	 <p>TE Part # 1-350778-9 02P UMNL V0 CAP HSG BLACK</p>	 <p>TE Part # 770024-1 02P UMNLII IN-LINE CAP HSG KIT</p>	 <p>TE Part # 1-480699-9 02P UMNL CAP HSG BLK</p>
--	---	--	--




TE Part # 770046-1
02P UMNL II CAP REAR 94VO



TE Part # 770045-1
02P UMNL II CAP-FRONT 94VO



TE Part # 1586852-1
04P UMNL PLUG HSG, GW



TE Part # 1-480699-2
02P UMNL CAP HSG RED



TE Part # 350778-1
02P UMNL CAP HSG



TE Part # 1-480699-0
02P UMNL CAP HSG NATL



TE Part # 794899-1
04P UMNL HI TEMP PLUG HSG



TE Part # 794901-1
03P UMNL HI TEMP PLUG HSG



TE Part # 794815-1
02P UMNL CAP HSG, HI TEMP



TE Part # 1703062-1
CAP, 2 CIRCUIT, UNIVERSAL MATE-N-LOK



TE Part # 794096-1
06P UMNL PLUG



TE Part # 1586847-1
03P UMNL PLUG HSG, GW



TE Part # 1586851-1
02P UMNL PLUG HSG, GW



TE Part # 1586856-1
02P UMNL CAP HSG, GW




TE Part # 1-350778-2
02P UMNL V0 CAP HSG RED




TE Part # 1-480699-1
02P UMNL CAP HSG BRN


Also in the Series | **Universal MATE-N-LOK**




Circular Power Connectors(2)



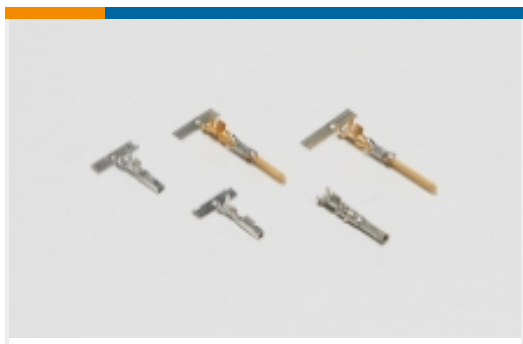
Connector Contacts(7)



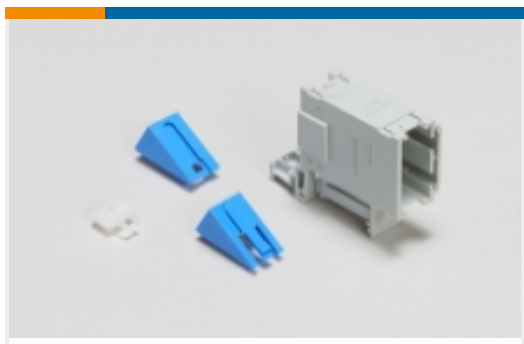
Connector Strain Relief(34)



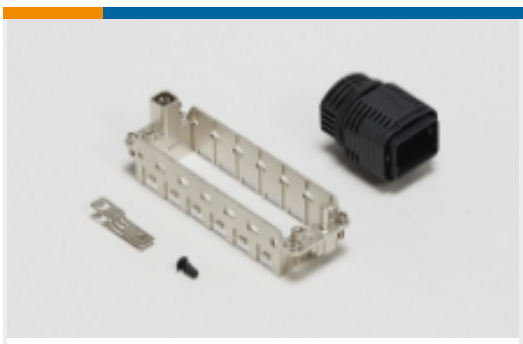
Insertion & Extraction Tools(4)



Power Contacts(201)



Rectangular Connector Adapters(7)



Rectangular Connector Hardware(1)



Rectangular Connector Housings(1)



Rectangular Connector Keying Plugs(3)



Rectangular Connector Seals(26)

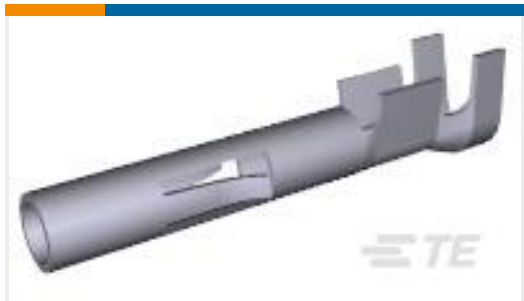


Rectangular Power Connectors(662)

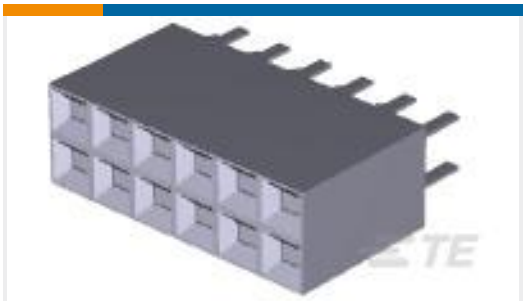
Customers Also Bought



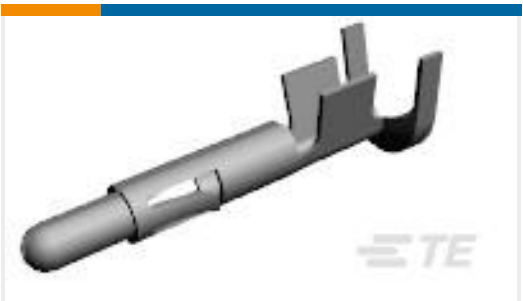
TE Part #1-350777-2
02P UMNL V0 PLUG HSG RED



TE Part #350550-1
UMNL SOK 20-14 PTPBR L/P



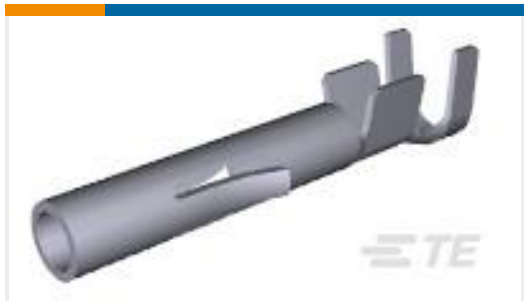
TE Part #5-534998-6
12 MODIV VRT DR CE 100/125



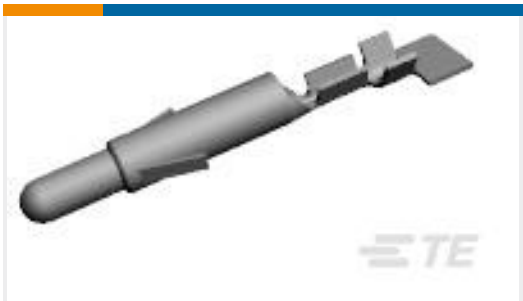
TE Part #350873-1
UMNL PIN 18-14 .0126 PTPBR



TE Part #1586849-1
03P UMNL CAP HSG NATL, GW



TE Part #350536-1
UMNL SOK 20-14 .0126 PTPBR



TE Part #770672-6
UMNL PIN 30-26 AUNI/PHBZ L/P



TE Part #1546671-2
2P .437" DR BARRIER,W/WIR CLMP



TE Part #ZPF000000000008526
983-6S 08-03 SN



TE Part #NB16212001
RW-175-1/16-X-STK

Documents



Product Drawings

02P UMNL PLUG HSG NATL LEAD IN

English

CAD Files

3D PDF

3D

Customer View Model

[ENG_CVM_CVM_1586702-1_B.2d_dxf.zip](#)

English

Customer View Model

[ENG_CVM_CVM_1586702-1_B.3d_igs.zip](#)

English

Customer View Model

[ENG_CVM_CVM_1586702-1_B.3d_stp.zip](#)

English

By downloading the CAD file I accept and agree to the [Terms and Conditions](#) of use.

Product Specifications

Application Specification

English