

# Precision Test Adapters

## 2.4 mm(M) to 2.4 mm(M)

**withwave**

Versatile RF & MW Test Solutions

**Withwave's Precision Test Adapters** are designed based on precision microwave interconnection technologies. This 2.4 mm(M) to 2.4 mm(M) adapter is manufactured to precise microwave specifications and constructed with male gender on side 1 and male gender on side 2. The precision microwave connector interfaces ensure an excellent microwave performance up to 50 GHz



### ■ Features

- Frequency range : DC to 50 GHz
- VSWR (Max) : 1.20 :1
- Stainless steel (passivated)

### ■ Specification

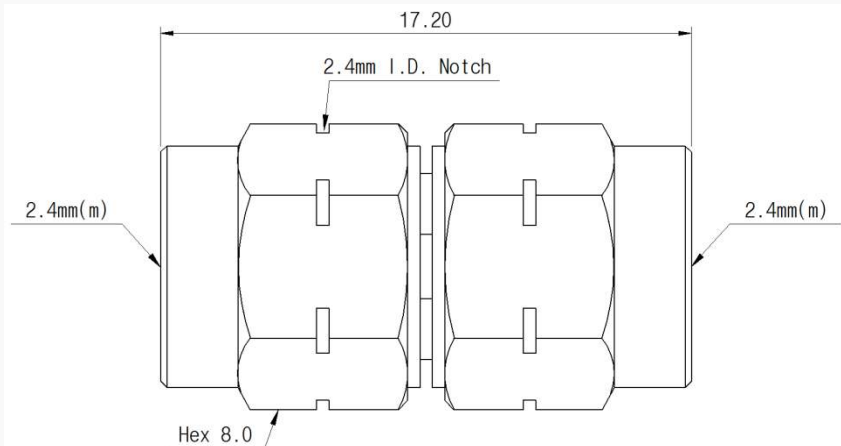
Scope	Specification	AD02M02MS1
Electrical	Impedance(Ohm)	50
	Operation Freq.(GHz)	DC to 50 GHz
	VSWR (Max)	1.20 : 1
Material	Dielectric	Special dielectric
	Center Contact	Brass with gold plated
	Body	Passivated Stainless Steel

\* RoHS Compliant

### ■ Drawing

Part No.: AD02M02MS1

Unit : mm



### ■ Test Result

▪ Frequency : 10 MHz to 50 GHz

