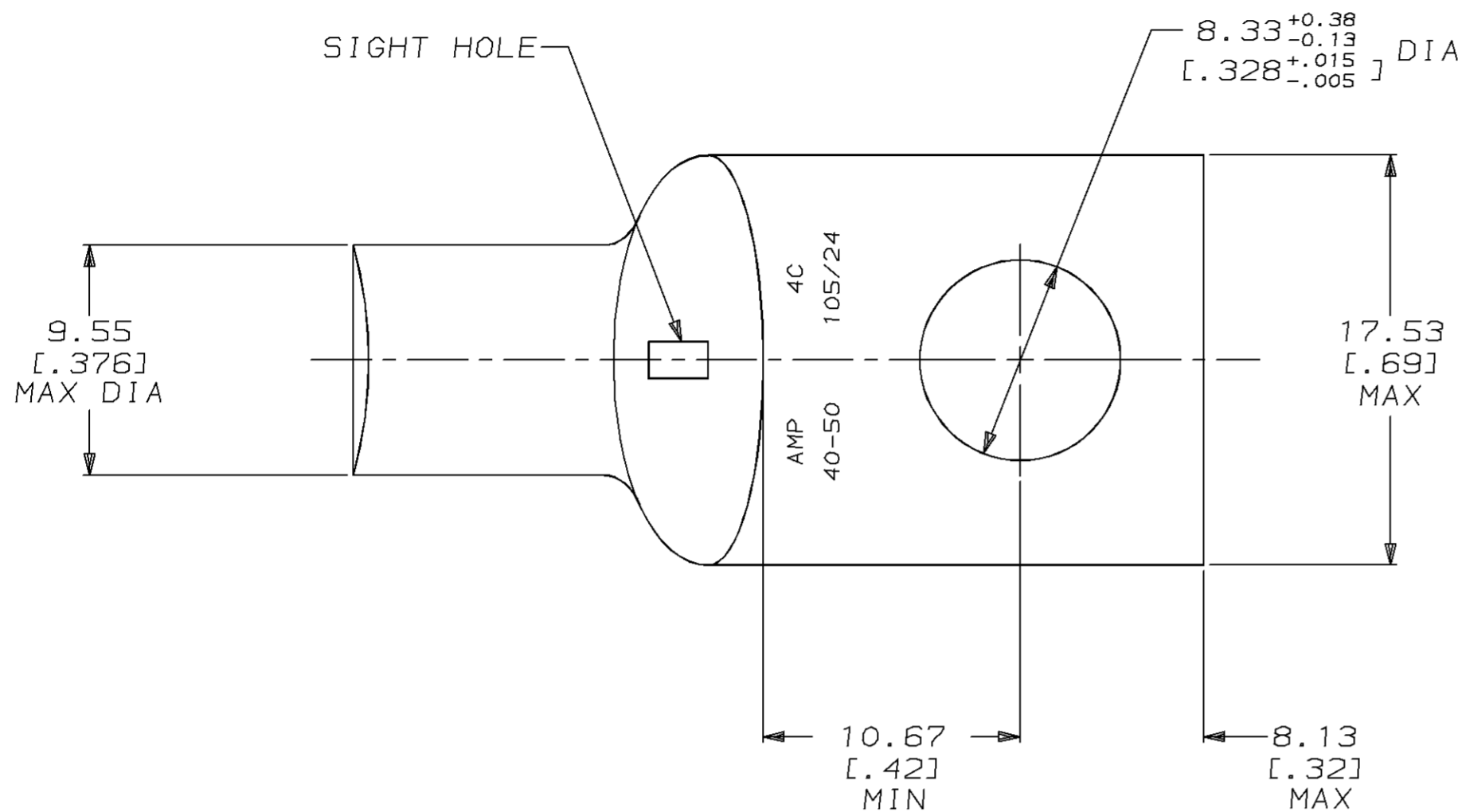
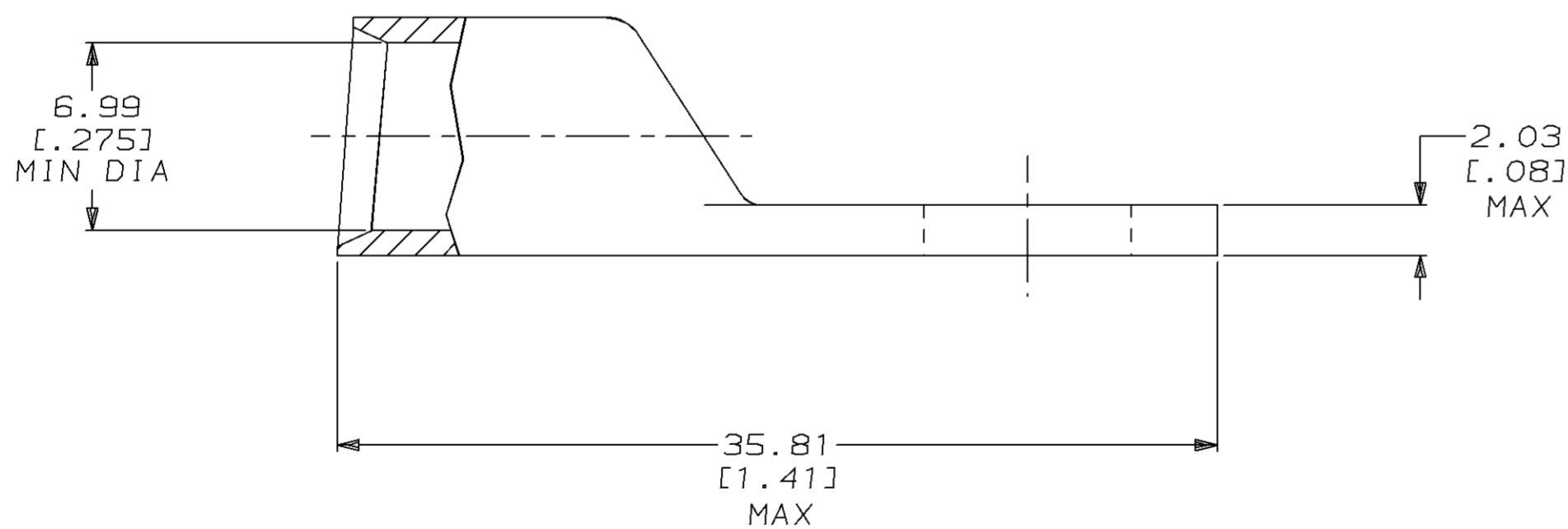


LOC		DIST		P		F		ZONE		LTR		REVISIONS		DATE	APPD
G		86								S		REV & REDRA PER G-5357		02/28/90	DKS



1 CIRCULAR MIL AREA RANGE: 33,100-52,600 CM
 2 TIN PL 0.00381 [.000150] MIN THK PER MIL-T-10727



METRIC

DO NOT SCALE PRINT. UNLESS SPECIFIED DIMENSIONS IN mm [INCHES] TOLERANCES ON:		DR 02/28/90 DK SCHRUM		AMP INCORPORATED Harrisburg, Pa. 17105	
2 PLC DEC ± 0.51 [.020]		CHK 19JAN95 MS FEHER			
3 PLC DEC ± -		APPD 19JAN95 WJ VOCKROTH		NAME	
ANGLES ± -		APPD 19JAN95 TL SHUTTER		TERMINAL, AMPPOWER™, WIRE SIZE: 4 AWG	
MATERIAL		PRODUCT SPEC		SIZE	CAGE CODE
ANNEALED COPPER ASTM B-152		108-30200		C	00779
FINISH		APPLICATION SPEC		DRAWING NO	
△		-		328163	
WEIGHT .016 LB		SCALE 4:1		SHEET 1 OF 1	