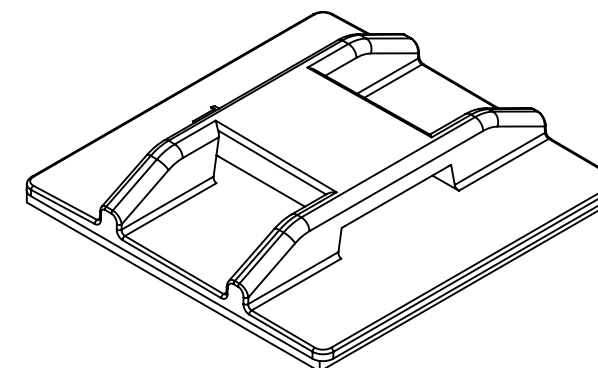
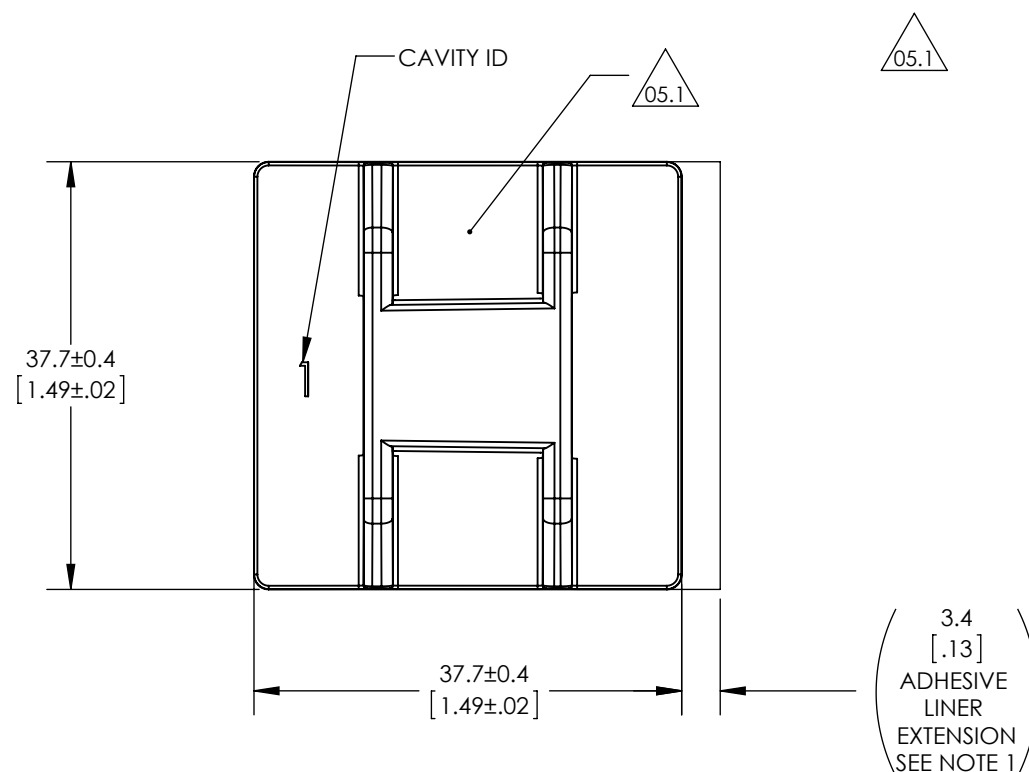


Revision level			Revision Record	Changed	Date	Approved	Date
Drawing	State	Part					
05.1	Design Release	-	SEE ECN# 013543	RLV	11/21/2016	KAC	11/21/2016

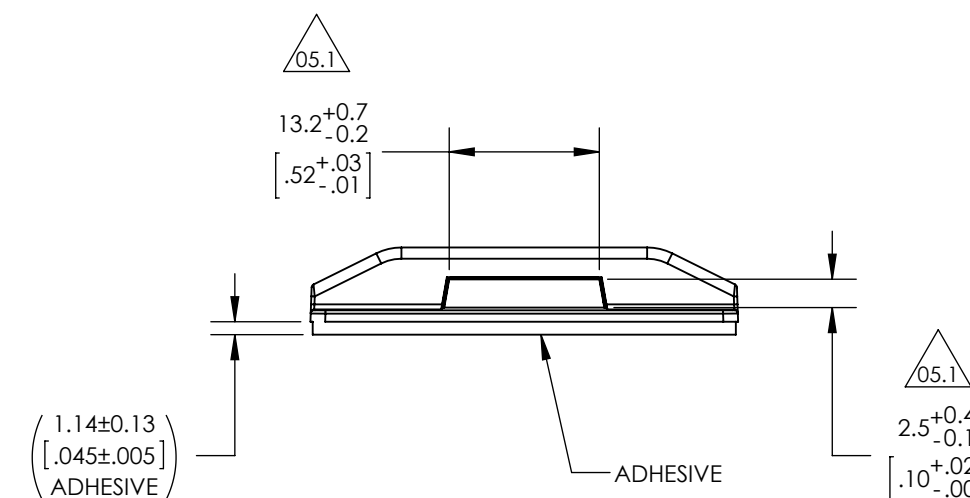
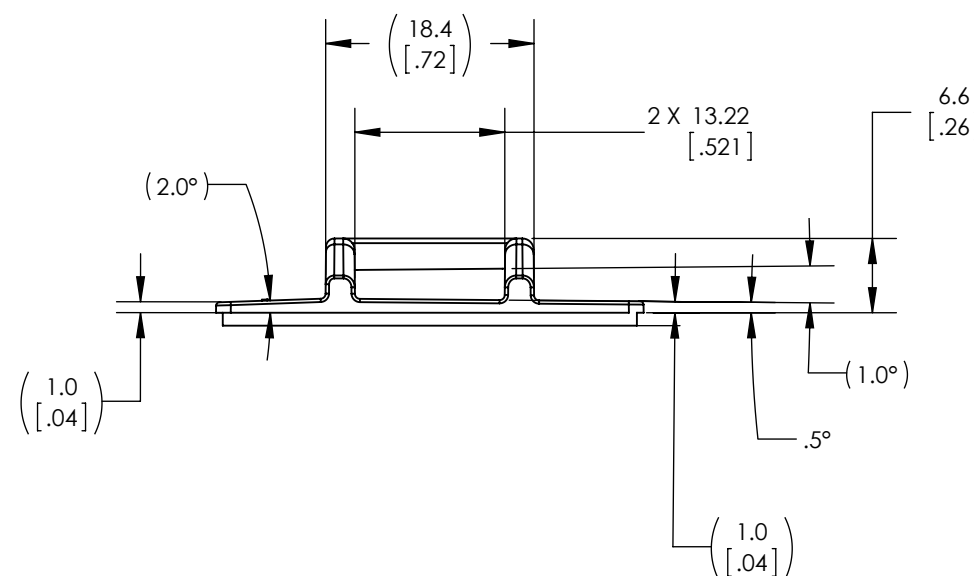


05.1

**INITIAL PERFORMANCE VALIDATION:**  
MOUNT WITH ADHESIVE IS DESIGNED FOR:

- MAX (TBD) LBS PULL OFF PERPENDICULAR TO CLEAN DRY SMOOTH STAINLESS STEEL MOUNTING SURFACE AT 80°C FOR (TBD) DAYS
- MAX (TBD) LBS PULL OFF PARALLEL TO CLEAN DRY SMOOTH STAINLESS STEEL MOUNTING SURFACE AT 80°C FOR (TBD) DAYS
- MAX IN-SERVICE (SURFACE OR AMBIENT) TEMPERATURE OF 80°C FOR (TBD) DAYS

THE CLAIMS EXPRESSED OR IMPLIED HERE WITH RESPECT TO THE ADHESIVE PERFORMANCE ARE SUBJECT TO VARIATION AND ARE BEYOND HELLERMANN TYTON'S CONTROL



- Notes
1. LINER EXTENSION NOT KEYED TO SPECIFIC SIDE
  2. DESIGNED FOR USE WITH WS TYPE CABLE TIES

05.1

Material  
PA66HIRHSUV BLACK  
ASTM D4066 PA0161  
ASTM D6779 PA0161  
ADHESIVE:  
ACRYLIC FOAM  
PER URAD5PX5011E

Units: millimeters  
Dimension without tolerances details to:  
.xxx = ±.013  
.xx = ±.13  
.x = ±.3  
None = ±.8  
∠ = ±0.5°  
Dimension Formatted mm/[in]

The copyright of this drawing is reserved by Hellermann Tyton. It is issued on condition that it is not reproduced, copied, or disclosed to a third party, either wholly or in part, without the consent of Hellermann Tyton.

Drawn RLV 12/03/2015  
Approved KAC 12/03/2015  
**HellermannTyton**  
North America  
Email: corp@htamericas.com  
Web: www.hellermann.tyton.com

Article/Type-No WSMB5AHB  
Title WIDE STRAP ADHESIVE MOUNT  
Drawing-No 13-0220-004-CSU  
PRODUCTION : Phase

Scale 3:2  
Project Number PRP13-0220  
Format B  
Sheet 1/1