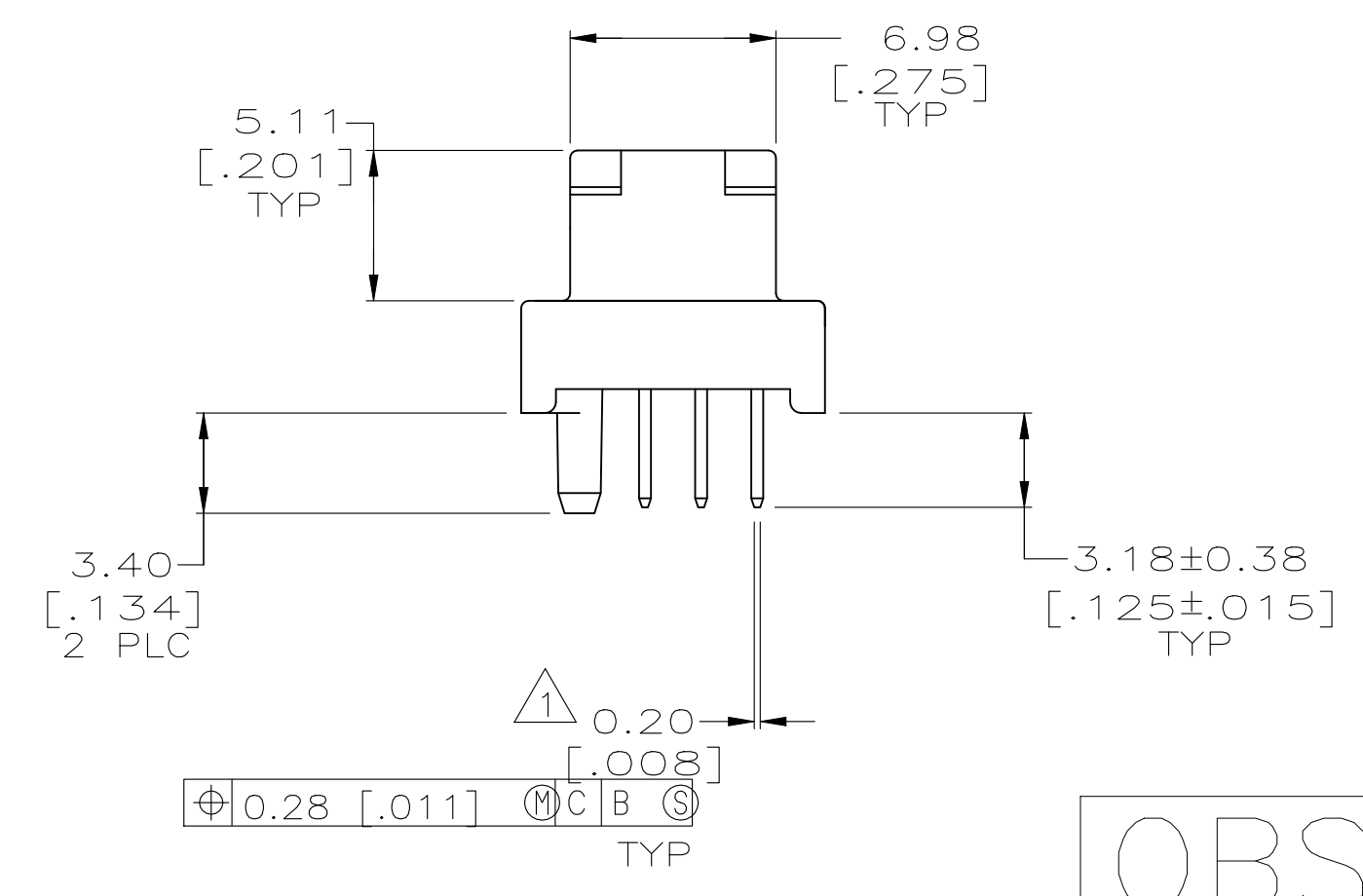
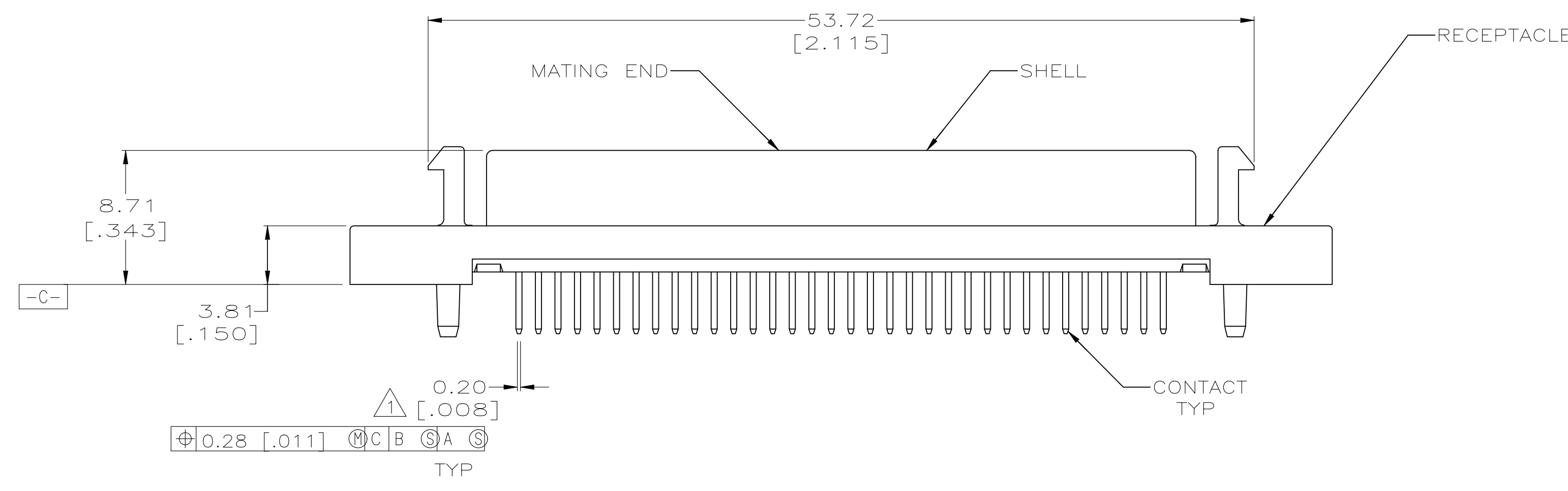
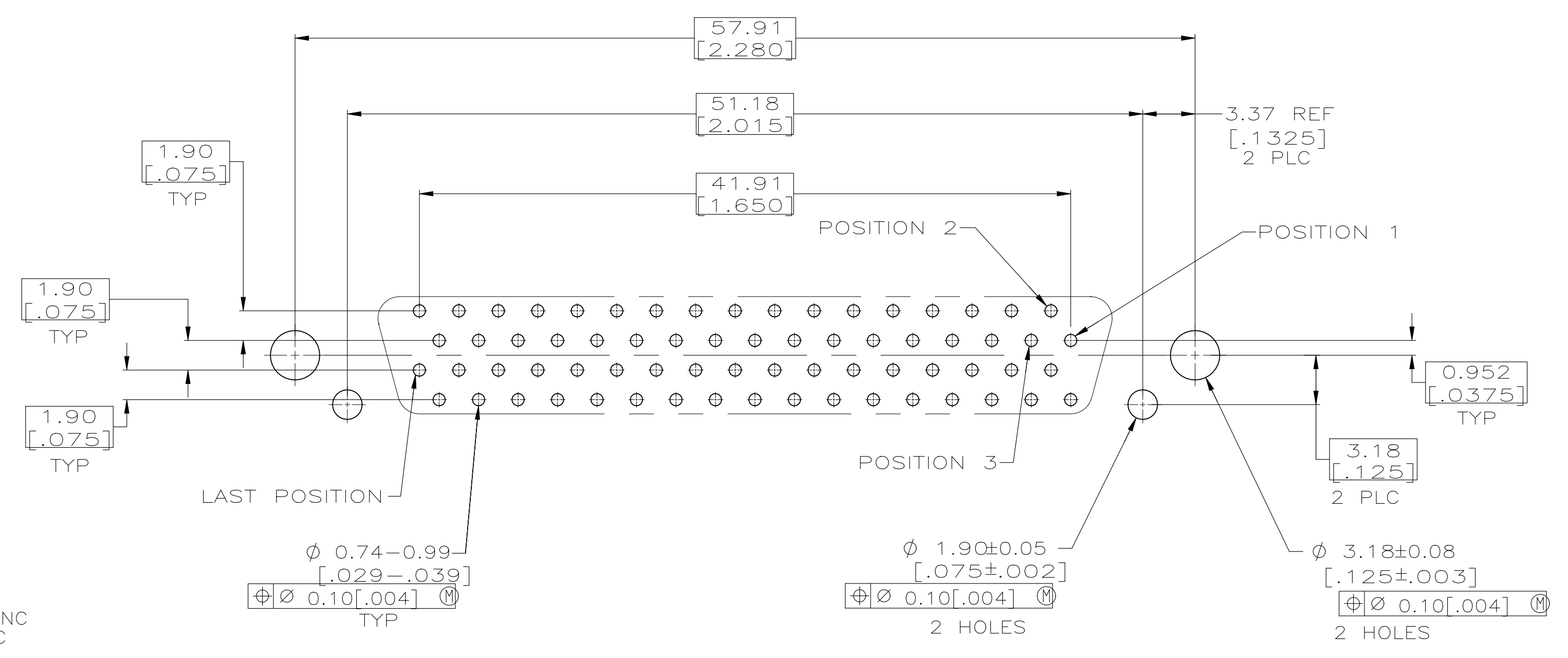
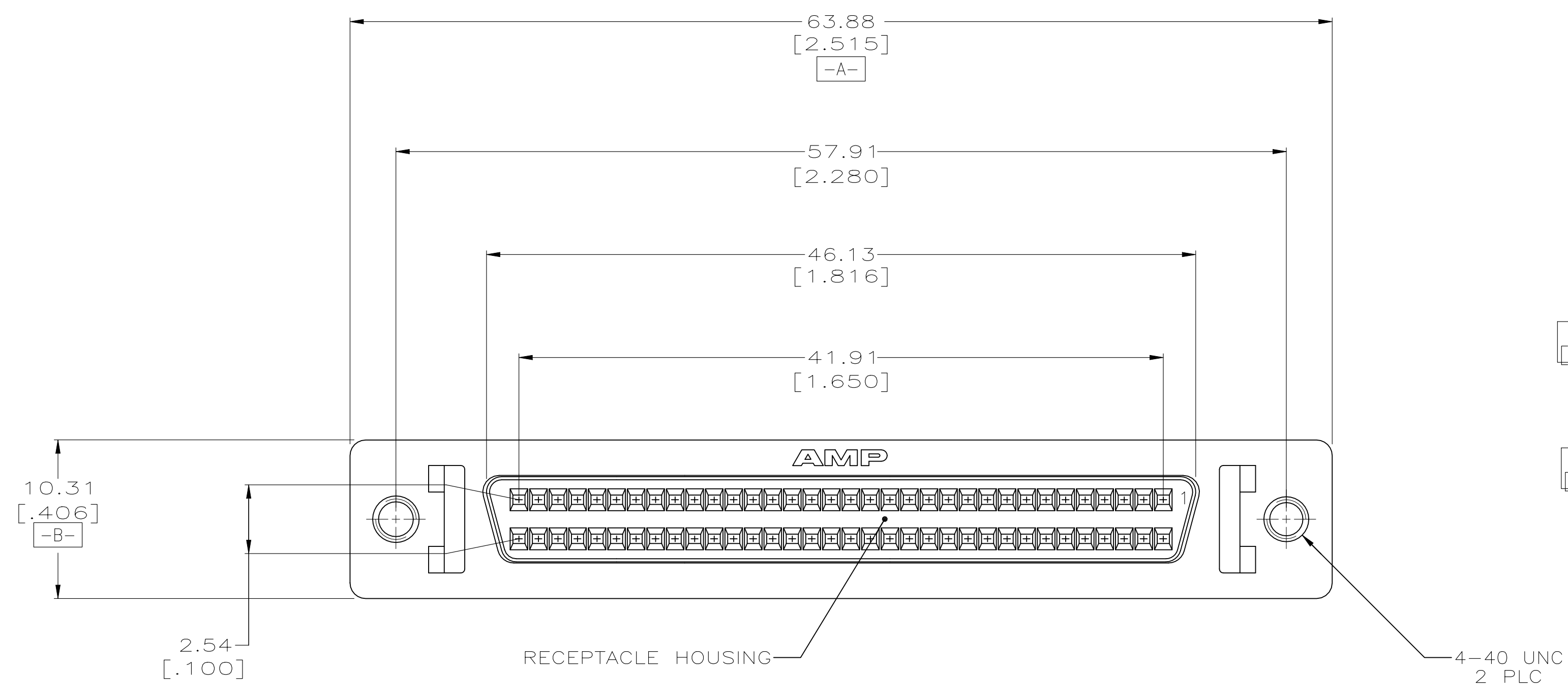
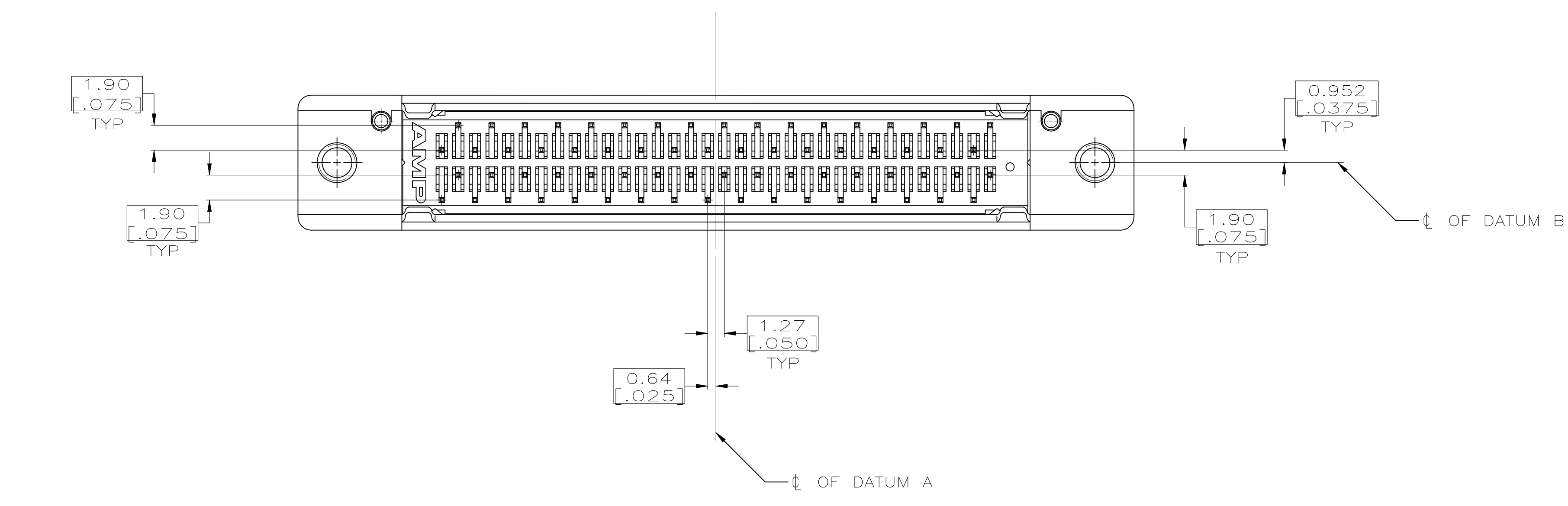


REVISIONS				
REV	DESCRIPTION	DATE	BY	APP'D
D1	ECCO-20-016797	06JAN2021	RR	SZ



OBSOLETE

- △ POSITION TOLERANCE APPLIES AT CONTACT TIP.
- △ MATERIAL
RECEPTACLE HOUSING: POLYESTER, UL 94V-0 RATED, BLACK.
SHELL: CARBON STEEL PER ASTM A109.
CONTACT: PHOSPHOR BRONZE PER QQ-B-750.
RECEPTACLE BRACKET: ZINC.
- △ FINISH
SHELL: 5.08µm [.000200] MIN NICKEL OVER 1.27µm [.000050] MIN COPPER.
RECEPTACLE BRACKET: 5.08µm [.000200] MIN TIN OVER 5.08µm [.000200] MIN COPPER.
CONTACT: EITHER 0.76µm [.000030] MIN GOLD FOR A LENGTH OF 0.64 [.025] MIN, 0.13 [.005] MAX FROM MATING END OR GOLD FLASH OVER PALLADIUM NICKEL, 0.76µm [.000030] MIN TOTAL FOR A LENGTH OF 0.64 [.025] MIN, 0.13 [.005] MAX FROM MATING END. 3.81µm [.000150] MIN TIN-LEAD ON OPPOSITE END FOR A LENGTH OF 3.56 [.140] MIN, ALL OVER 1.27µm [.000050] MIN NICKEL UNDERPLATE.



OBSOLETE 796048-1
PART NUMBER

THIS DRAWING IS A CONTROLLED DOCUMENT.		DIN C.DORWART 23 OCT 97		CIRK D.ALBERT 05 NOV 97		APRO D.ALBERT 05 NOV 97		NAME	
DIMENSIONS: mm [INCHES]		TOLERANCES UNLESS OTHERWISE SPECIFIED:		0 PLC ± -		1 PLC ± -		2 PLC ± 0.13 [.005]	
3 PLC ± -		4 PLC ± -		ANGLES ± -		FINISH		RESTRICTED TO	
MATERIAL		FINISH		WEIGHT 0.000000		A1 00779 C=796048		SCALE 4:1 SHEET 1 of 1 REV D1	
CUSTOMER DRAWING		SCALE 4:1		SHEET 1 of 1		REV D1		TE Connectivity	
APPLICATION SPEC 108-1228		SIZE 114-40029		RECEPTACLE ASSEMBLY, 68 POSITION, SHELDED, VERTICAL, .050 SERIES, AMPLIMITE		CAGE CODE DRAWING NO		DRAWING NO	