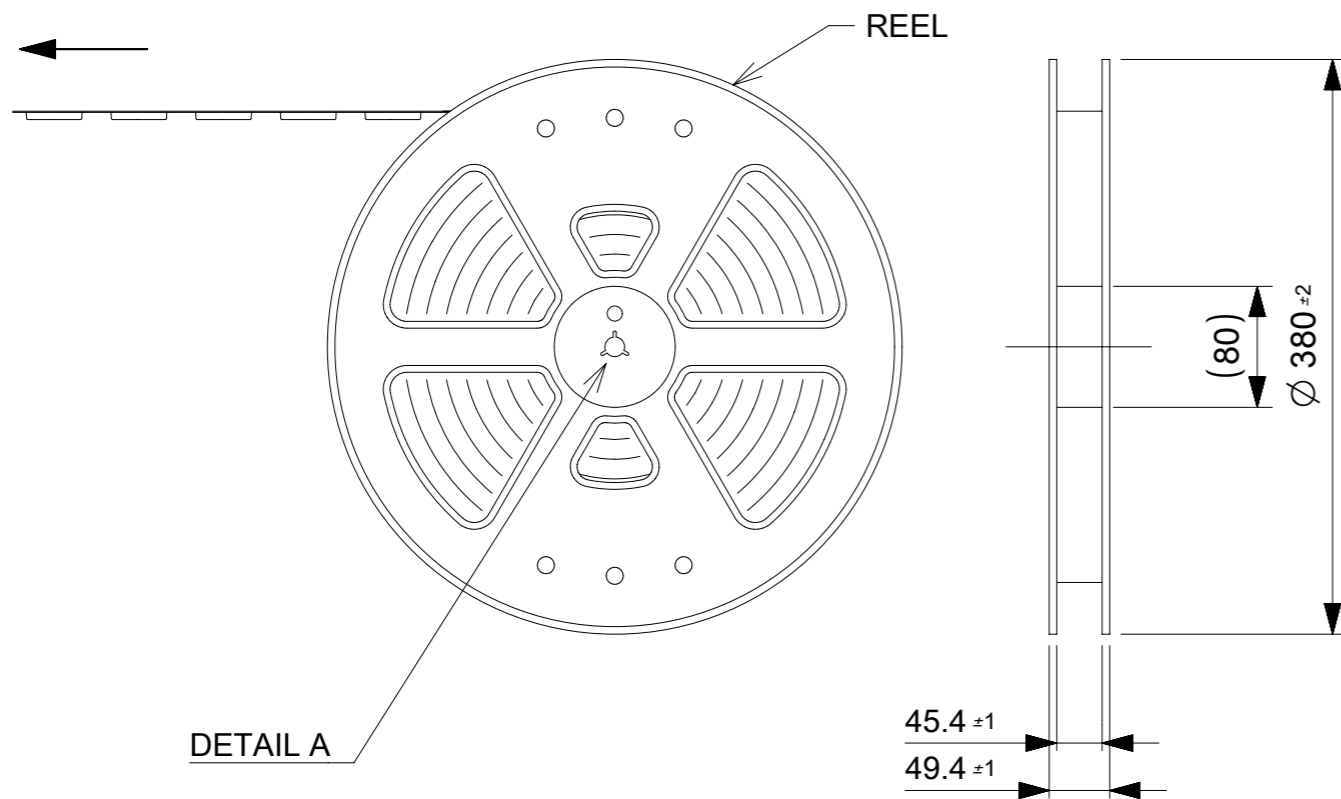
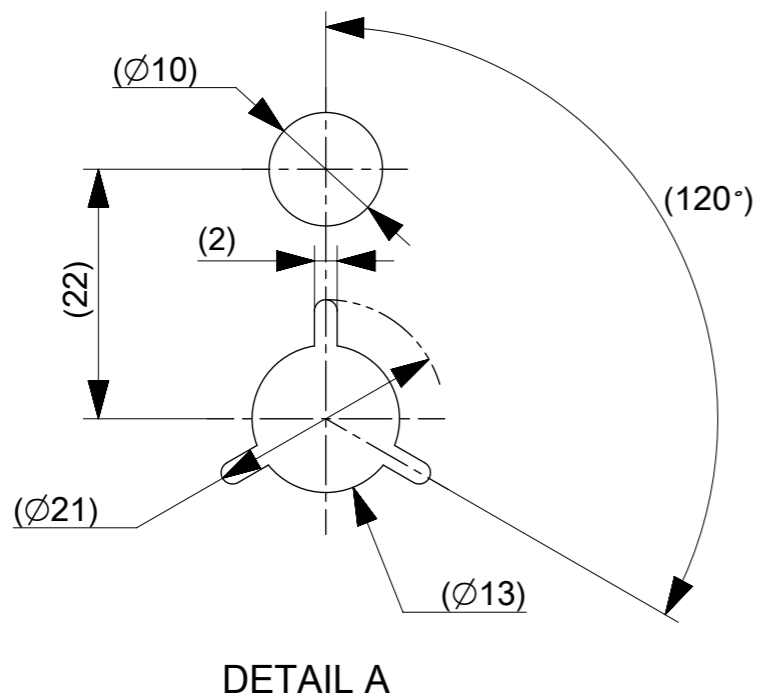


引き出し方向
PULL OUT DIRECTION



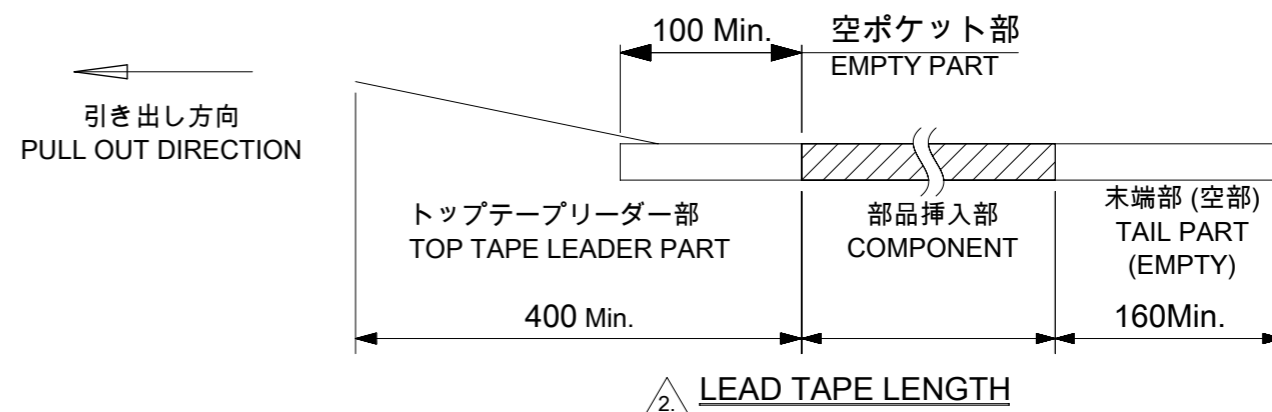
DETAIL A



DETAIL A

NOTES

- 梱包数量 : 350個 / リール
THE NUMBER OF PACKAGED CONNECTORS: 350 PIECES/REEL
- リードテープ長さ
LEAD TAPE LENGTH.
- 製品詳細寸法については、図面SD-534562-010を参照してください。
FOR DIMENSIONS OF PRODUCT, REFER TO SD-53462-010.
- 材料 MATERIAL
キャリアテープ : ポリスチレン
CARRIER TAPE: POLYSTYRENE
トップテープ : ポリエチレンテレフタレート、ポリエチレン
TOP TAPE: POLYETHYLENE TEREPHTHALATE, POLYETHYLENE
リール : ポリスチレン(リサイクル材を含む)
REEL: POLYSTYRENE(RECYCLE MATERIAL CONTAINED)

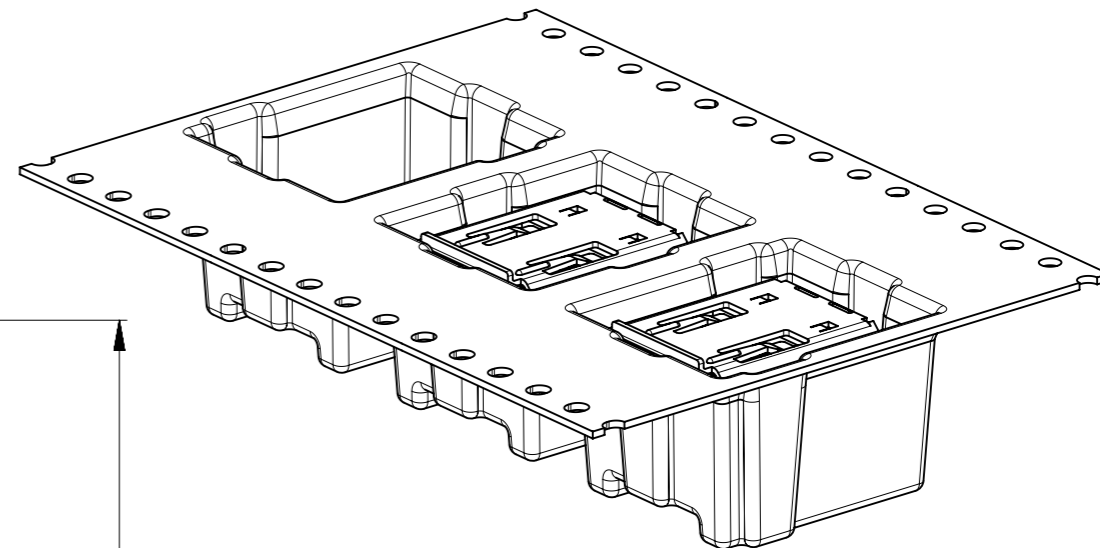


△ 2. LEAD TAPE LENGTH

SYMBOLS	THIS DRAWING CONTAINS INFORMATION THAT IS PROPRIETARY TO MOLEX ELECTRONIC TECHNOLOGIES, LLC AND SHOULD NOT BE USED WITHOUT WRITTEN PERMISSION		CURRENT REV DESC:			molex			
	DIMENSION UNITS	SCALE							EC NO: 621659
▽ = 0	mm	1:1	DRWN: KTAKEUCHI01	2019/08/01	PRODUCT CUSTOMER DRAWING				
▽ = 0	GENERAL TOLERANCES (UNLESS SPECIFIED)		CHK'D: RTAKEUCHI	2019/08/06	DOCUMENT NUMBER				
▽ = 0	ANGULAR TOL ± 3.0°		APPR: RTAKEUCHI	2019/08/06	534620001		DOC TYPE	DOC PART	REVISION
▽ = 0	4 PLACES ± 0.03		INITIAL REVISION:		PSD		000	B	
▽ = 0	3 PLACES ± 0.03		DRWN: KTAKEUCHI01		2017/10/17		MATERIAL NUMBER		
▽ = 0	2 PLACES ± 0.05		APPR: RTAKEUCHI		2017/12/19		CUSTOMER		
▽ = 0	1 PLACE ± 0.1		THIRD ANGLE PROJECTION		DRAWING	SERIES	SHEET NUMBER		
▽ = 0	0 PLACES ± 0.2		DRAFT WHERE APPLICABLE MUST REMAIN WITHIN DIMENSIONS		A3-SIZE	53462	1 OF 2		

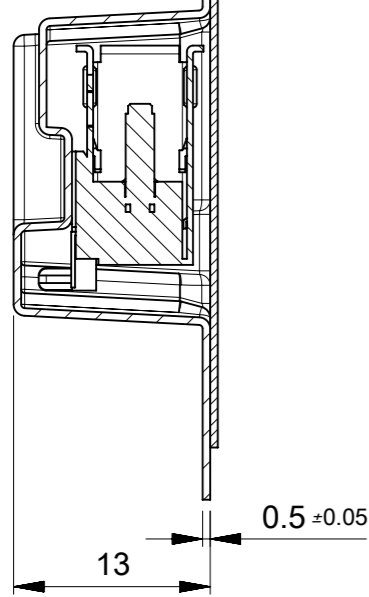
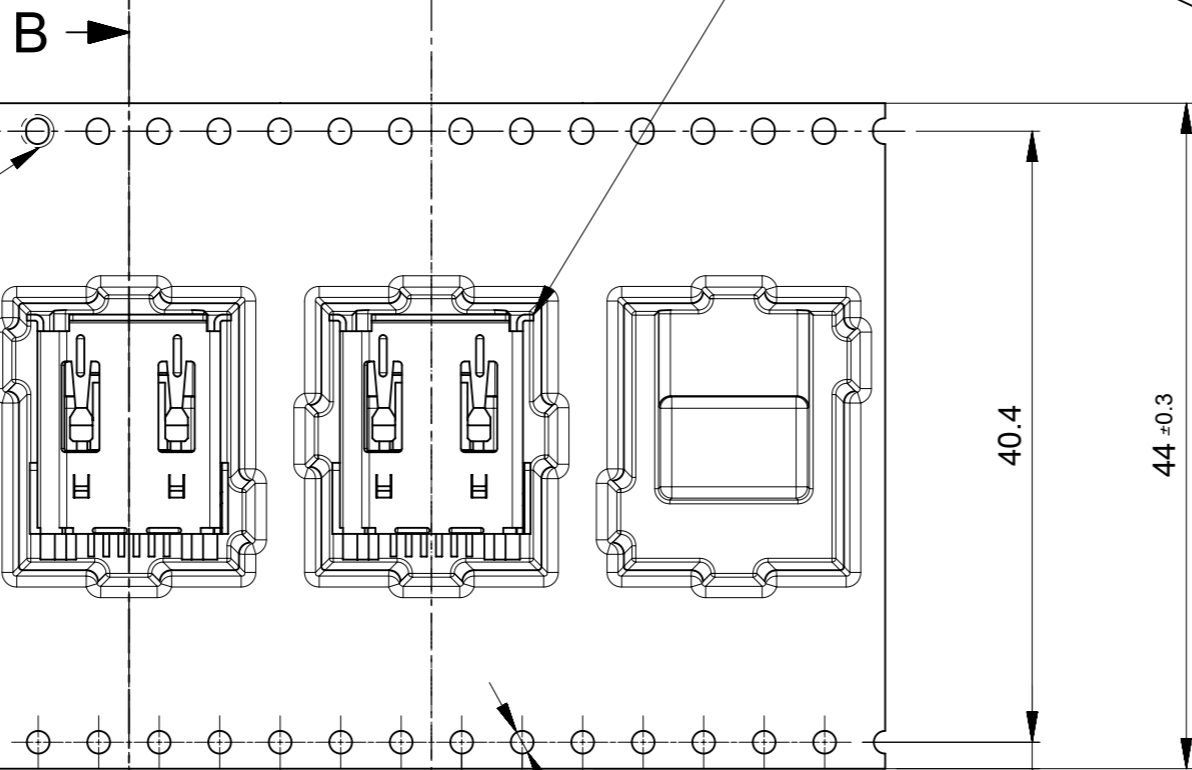
引き出し方向
(PULL OUT DIRECTION)

534620629

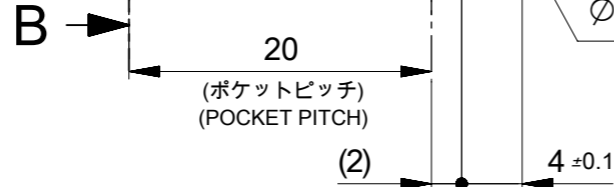


トッパートープ
TOP TAPE

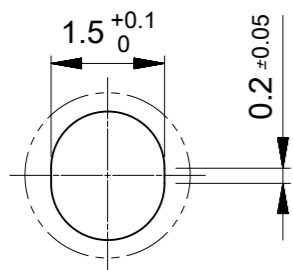
DETAIL C



SECTION B-B



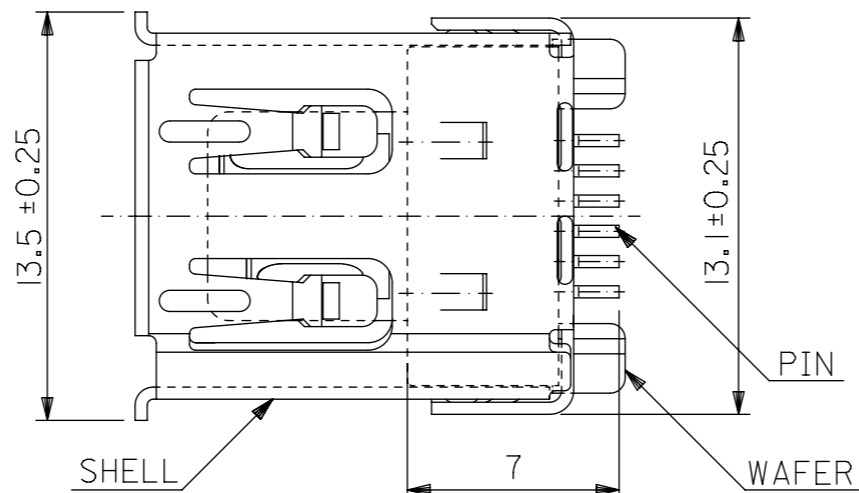
累積ピッチ : 40 ± 0.2
ACCUMULATIVE PITCH: 40 ± 0.2



DETAIL C
SCALE 10:1

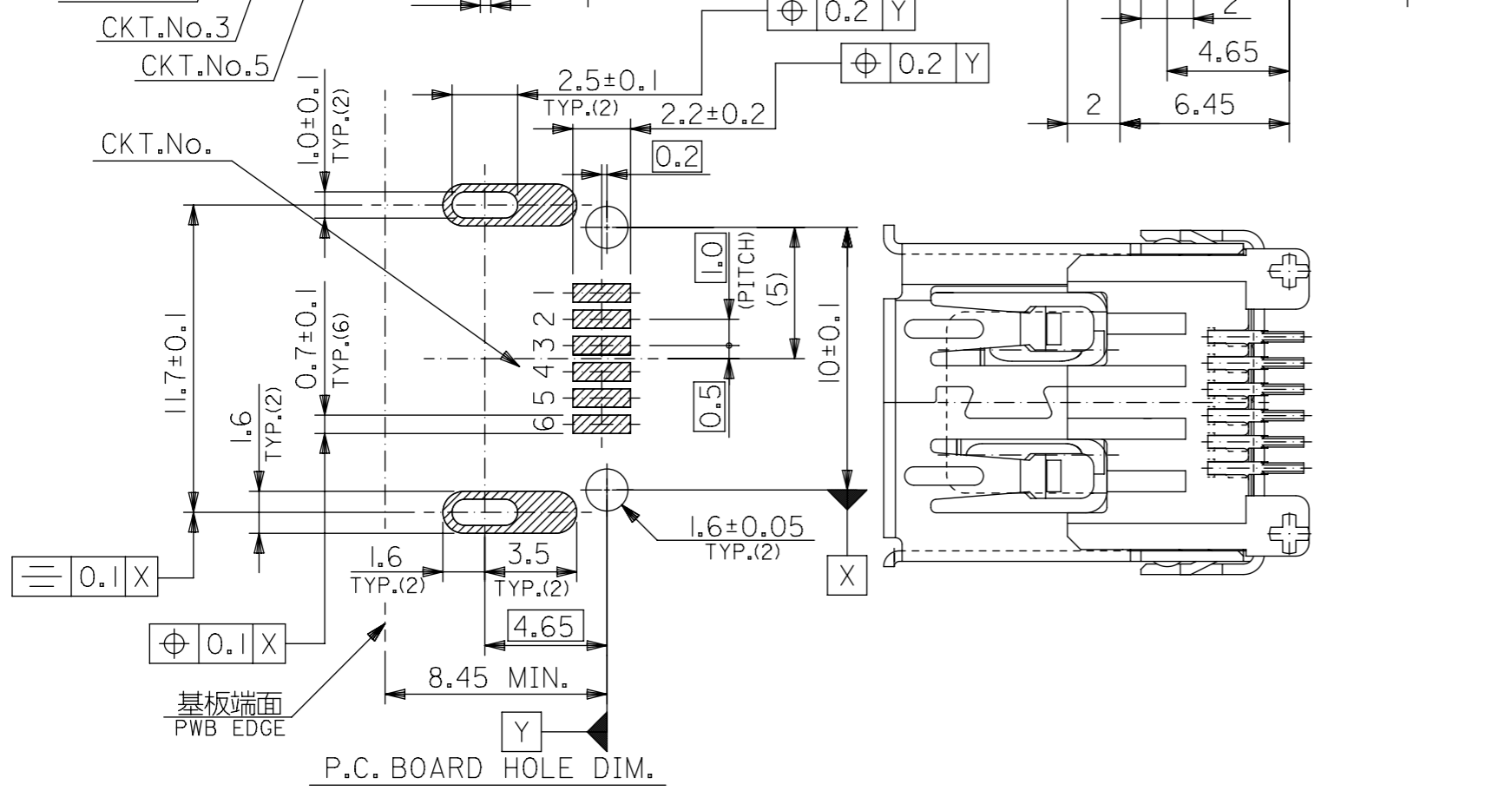
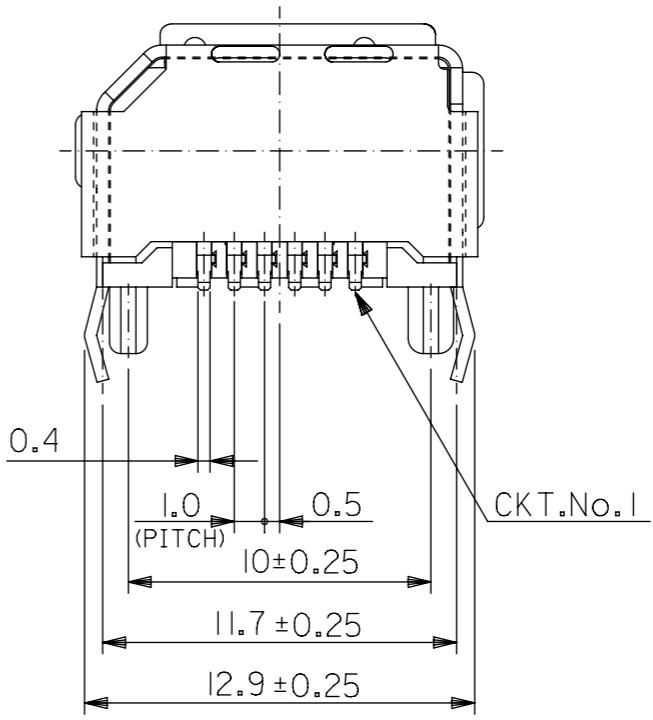
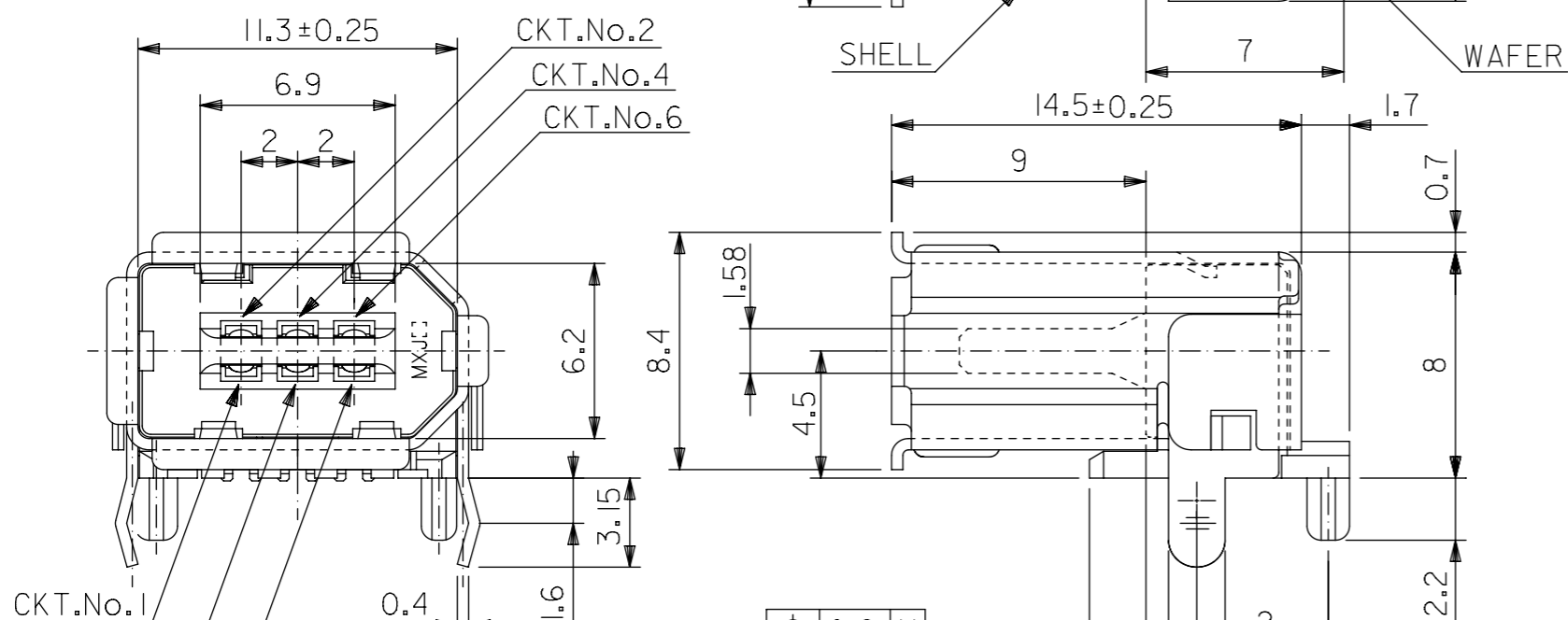
534620629	534620001
CONNECTOR MATERIAL NO.	EMBOSSED PACKAGE オーダー番号 ORDER NO.

SYMBOLS		THIS DRAWING CONTAINS INFORMATION THAT IS PROPRIETARY TO MOLEX ELECTRONIC TECHNOLOGIES, LLC AND SHOULD NOT BE USED WITHOUT WRITTEN PERMISSION		CURRENT REV DESC:	
▽ = 0	mm	SCALE	2:1	molex	
▽ = 0	GENERAL TOLERANCES (UNLESS SPECIFIED)		EC NO: 621659		2.0 I/O FLAT SMT WAFER ASSY EMBSTP PKG
▽ = 0	ANGULAR TOL ± 3.0°		DRWN: KTAKEUCHI01	2019/08/01	PRODUCT CUSTOMER DRAWING
▽ = 0	4 PLACES	± 0.03	CHK'D: RTAKEUCHI	2019/08/06	
▽ = 0	3 PLACES	± 0.03	APPR: RTAKEUCHI	2019/08/06	DOCUMENT NUMBER 534620001
▽ = 0	2 PLACES	± 0.05	INITIAL REVISION:		
▽ = 0	1 PLACE	± 0.1	DRWN: KTAKEUCHI01	2017/10/17	DOC TYPE PSD
▽ = 0	0 PLACES	± 0.2	APPR: RTAKEUCHI	2017/12/19	
□ = 0	DRAFT WHERE APPLICABLE MUST REMAIN WITHIN DIMENSIONS		THIRD ANGLE PROJECTION	DRAWING A3-SIZE	DOC PART 000
▽ = 0	SERIES 53462		MATERIAL NUMBER	CUSTOMER	REVISION B
		SHEET NUMBER 2 OF 2			



部品名 PARTS NAME	材質 MATERIAL	注記 NOTES
ウエハー WAFER	ガラス入り46ナイロン NYLON46 G.F.	G.F.30%, UL94V-0, 色:黒 G.F.30%, UL94V-0, COLOR : BLACK
ピン PIN	黄銅 t0.25 BRASS t0.25	接点部 : 金メッキ0.76µmMIN. CONTACT AREA : GOLD 0.76 MICROMETER MIN. 半田付け部: 錫メッキ1.0µmMIN. SOLDERTAIL AREA : TIN 1.0 MICROMETER MIN. 下地メッキ: ニッケルメッキ2.0µmMIN. UNDER-PLATING : NICKEL 2.0 MICROMETER MIN.
シエル SHELL	りん青銅 t0.4 PHOSPHOR BRONZE t0.4	錫メッキ: 1.0µmMIN. TIN : 1.0 MICROMETER MIN. 下地メッキ: ニッケルメッキ1.27µmMIN. UNDER-PLATING : NICKEL 1.27 MICROMETER MIN.

本製品は53462-**-21の鉛フリー品である。
THIS PRODUCT IS LEAD FREE OF 53462-**21.



53462-0629	6
MATERIAL NO.	CIRCUIT
MODEL NO.	53462-**-29

THIS DRAWING CONTAINS INFORMATION THAT IS PROPRIETARY TO MOLEX ELECTRONIC TECHNOLOGIES, LLC AND SHOULD NOT BE USED WITHOUT WRITTEN PERMISSION		CURRENT REV DESC:		molex	
DIMENSION UNITS	SCALE	EC NO: 615419			
mm	4:1	DRWN: KTAKEUCHI01 2019/04/11		2.0 I/O CONN. SOCKET RIGHT-ANGLE FLAT KINK -LEAD FREE-	
GENERAL TOLERANCES (UNLESS SPECIFIED)		CHK'D: TRSUZUKI 2019/04/11			
ANGULAR TOL	± 1.0°	APPR: RTAKEUCHI 2019/04/11		PRODUCT CUSTOMER DRAWING	
4 PLACES	± 0.2	INITIAL REVISION:		DOCUMENT NUMBER	
3 PLACES	± 0.2	DRWN: YWADA 2004/05/21		SD-53462-010	
2 PLACES	± 0.2	APPR: MSASAO 2004/05/24		DOC TYPE	
1 PLACE	± 0.2	THIRD ANGLE PROJECTION		PSD	
0 PLACES	± 0.2	DRAWING		DOC PART	
DRAFT WHERE APPLICABLE MUST REMAIN WITHIN DIMENSIONS		SERIES		REVISION	
A3-SIZE		53462		001 A	
MATERIAL NUMBER		CUSTOMER		SHEET NUMBER	
SEE TABLE		GENERAL MARKET		1 OF 1	