

# SMD Power Chokes

BFSI Series



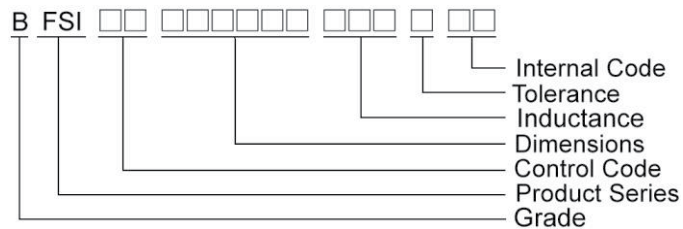
## Features

- Shield construction
- Flat wire winding, achieve a low dc resistance
- Low loss, High efficiency, wide application frequency and application scope
- Lightweight design, save a space, suitable for high density SMT
- Heat dissipation

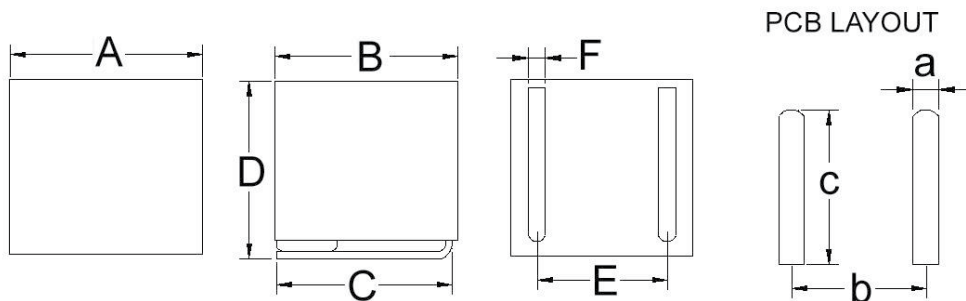
## Applications

- Umpc/NBPC
- Desk Top/LCD monitor
- PDA/Lap Top
- Server systems/Computer lord plank
- Mobile Phone/ DV/HDD

## Product Identification



## Shapes and Dimensions



### Dimensions in mm

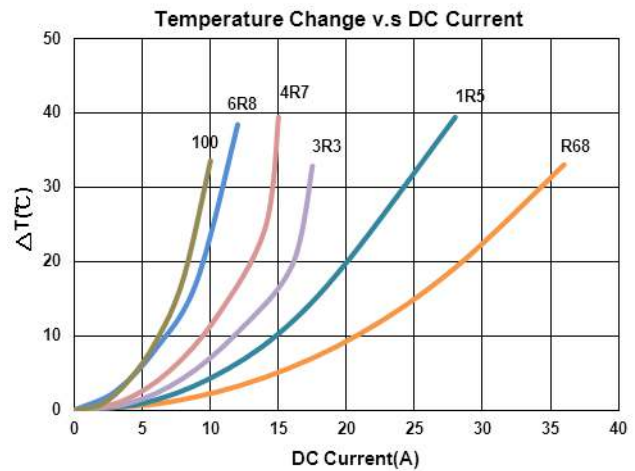
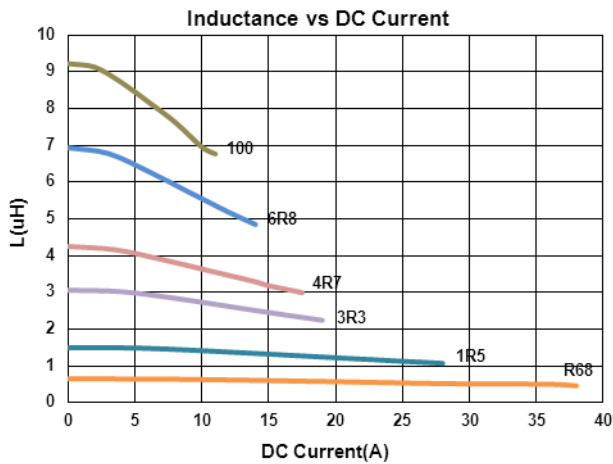
TYPE	A	B	C	D	E	F	a	b	c
BFSI00090908	9.3Max	9.0Max	6.2±0.3	8.1±0.4	6.0±0.3	1.2±0.1	1.6	6	8
BFSI00121109	12±0.5	11±0.5	8.2±0.3	8.8Max	8.0±0.3	1.6±0.1	2.0	8	10

## Electrical Characteristics

Part Number	Inductance (μH)	Tolerance (±%)	Test Frequency (kHz)	RDC(mΩ) Max(Typ)	Isat (A)Typ.	Irms (A)Typ.
BFSI00090908R68M05	0.68	20	100/1V	2(1.3)	38	36
BFSI000909081R0M05	1.0	20	100/1V	2.5(1.7)	31	34
BFSI000909081R5M05	1.5	20	100/1V	3.5(2.5)	28	28
BFSI000909082R2M05	2.2	20	100/1V	3.8(2.9)	24	25
BFSI000909083R3M05	3.3	20	100/1V	6.5(5.6)	19	17.5
BFSI000909084R7M05	4.7	20	100/1V	8.5(7)	17.5	15
BFSI000909086R8M05	6.8	20	100/1V	13(12)	14	12
BFSI000909088R2M05	8.2	20	100/1V	15(13.3)	12	11
BFSI00090908100M05	10	20	100/1V	15.5(13.8)	11	10

**Note: When ordering, please specify tolerance code. Tolerance: M=±20%**

- Customized Specifications are welcome
- Isat for Inductance drop 30% from its value with current
- I rms for a 40°C temperature rise from 25°C ambient with current
- Measure Equipment :  
 L : WK4237  
 RDC : CHEN HWA502  
 Isat & I rms : WK3260B/ 3265

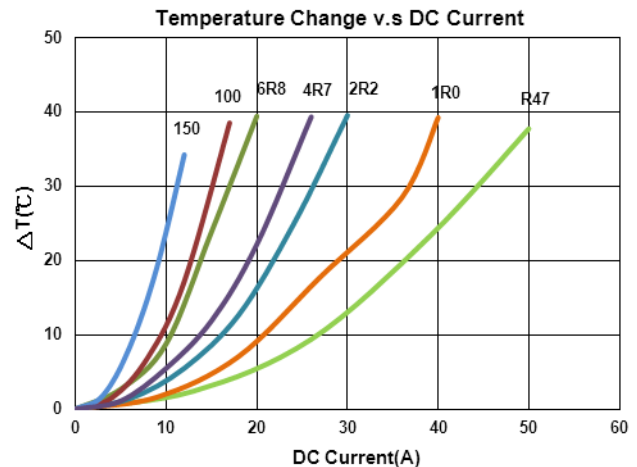
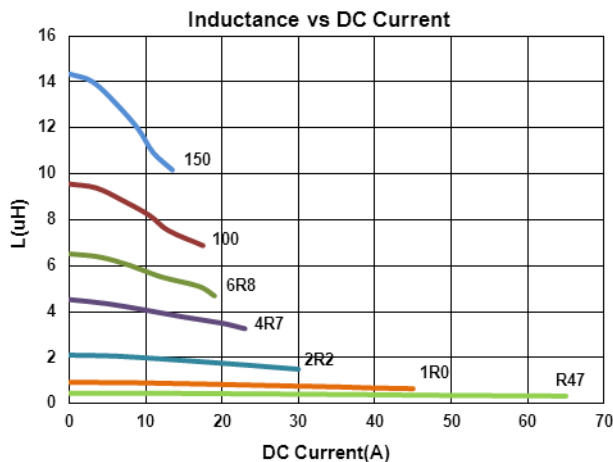


## Electrical Characteristics

Part Number	Inductance (μH)	Tolerance (±%)	Test Frequency (kHz)	RDC(mΩ) Max(Typ)	Isat (A)Typ.	Irms (A)Typ.
BFSI00121109R47M05	0.47	20	100/1V	1.5(1.1)	65	50
BFSI001211091R0M05	1.0	20	100/1V	2.0(1.5)	45	40
BFSI001211091R5M05	1.5	20	100/1V	2.5(2.0)	36	33
BFSI001211092R2M05	2.2	20	100/1V	2.8(2.4)	30	30
BFSI001211093R3M05	3.3	20	100/1V	3.8(3.3)	26	26
BFSI001211094R7M05	4.7	20	100/1V	6.2(5.7)	23	20
BFSI001211095R6M05	5.6	20	100/1V	7.0(6.4)	21	18
BFSI001211096R8M05	6.8	20	100/1V	7.8(6.8)	19	17
BFSI001211098R2M05	8.2	20	100/1V	9.0(8.2)	18	16
BFSI00121109100M05	10	20	100/1V	12(11.3)	17.5	13
BFSI00121109150M05	15	20	100/1V	15(14.3)	13.5	11

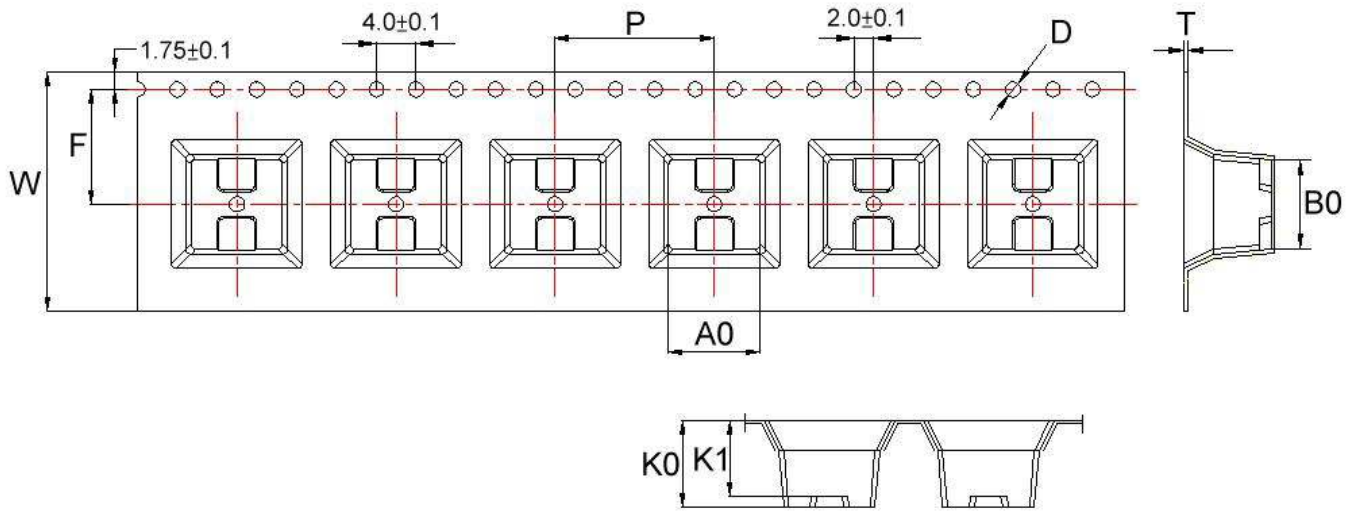
**Note: When ordering, please specify tolerance code. Tolerance: M=±20%**

- Customized Specifications are welcome
- Isat for Inductance drop 30% from its value with current
- I rms for a 40°C temperature rise from 25°C ambient with current
- Measure Equipment :  
 L : WK4237  
 RDC : CHEN HWA502  
 Isat & I rms : WK3260B/ 3265

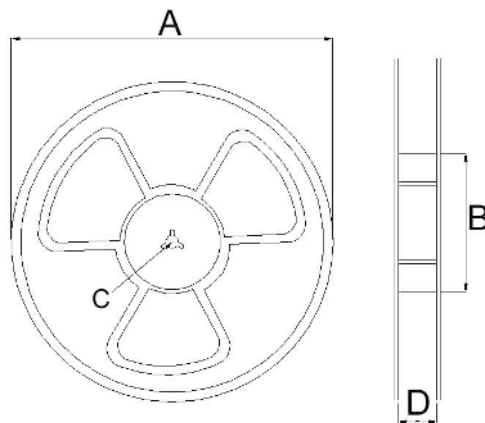


## Packaging

### Tape Dimensions



### Reel Dimensions



# SMD Power Chokes

BFSI Series

## Dimensions in mm

TYPE	Tape Dimensions									Reel Dimensions				Quantity
	A0	B0	K0	K1	D	F	W	T	P	A	B	C	D	PCS / REEL
BFSI00090908	9.2	9	8.8	7.60	1.5	11.5	24	0.4	16	330	100	13	24.3	300
BFSI00121109	12.2	11	9.0	8.07	1.5	11.5	24	0.5	20	330	100	13	24.3	240

## For More Information:

[Americas - prodinfo\\_power\\_americas@yageo.com](mailto:prodinfo_power_americas@yageo.com) | [Europe - prodinfo\\_power\\_emea@yageo.com](mailto:prodinfo_power_emea@yageo.com) | [Asia - prodinfo\\_power\\_asia@yageo.com](mailto:prodinfo_power_asia@yageo.com)

Performance warranty of products offered on this data sheet is limited to the parameters specified. Data is subject to change without notice. Other brand and product names mentioned herein may be trademarks or registered trademarks of their respective owners. © Copyright, 2022. Pulse Electronics, Inc. All rights reserved.