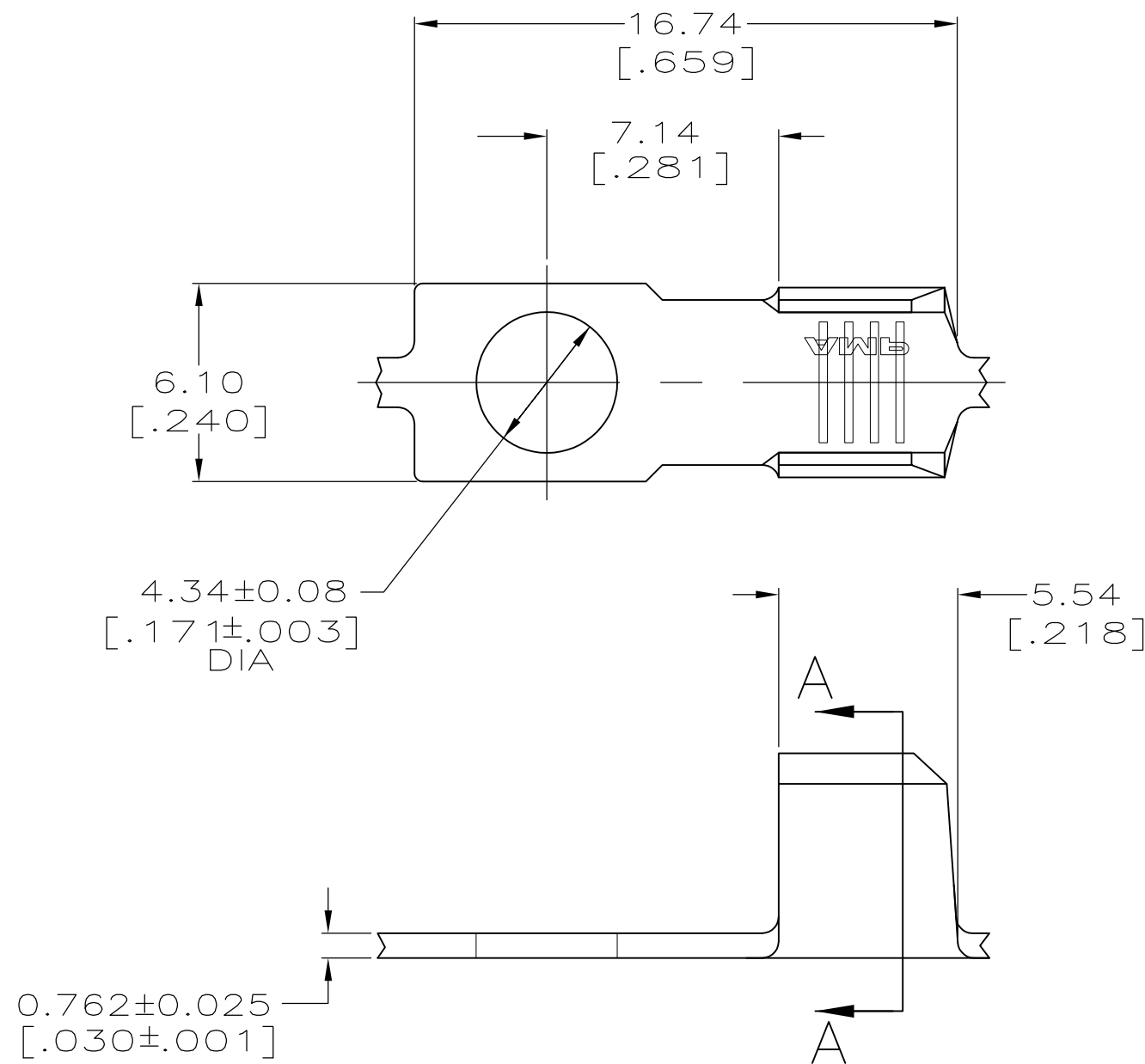
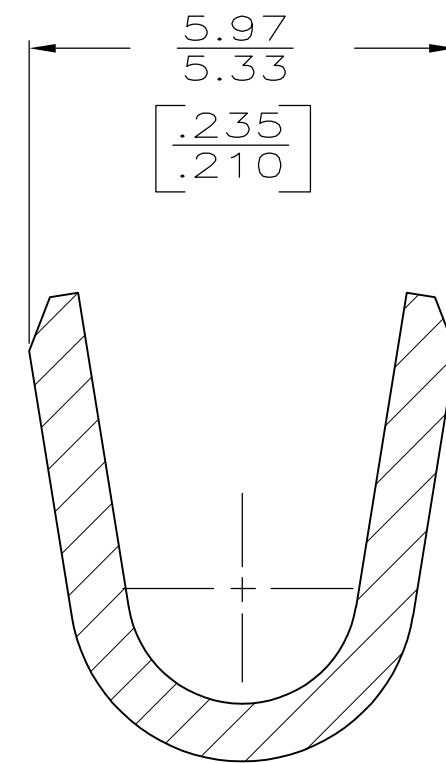


THIS DRAWING IS UNPUBLISHED. RELEASED FOR PUBLICATION
 © COPYRIGHT BY TYCO ELECTRONICS CORPORATION. ALL INTERNATIONAL RIGHTS RESERVED.

LOC	DIST	REVISIONS			
P	LTR	DESCRIPTION	DATE	DWN	APVD
AF	50	B	REVISED PER ECR-10-006099	07JUL10	HMR PD



1. CONTINUOUS STRIP ON REEL.



SECTION A-A
SCALE 10:1

[12-10] AWG	1217106-1
WIRE RANGE	PART NUMBER

THIS DRAWING IS A CONTROLLED DOCUMENT.		DWN PHILLIP M FORTNEY 06/AUG/98	Tyco Electronics Corporation Harrisburg, PA 17105-3608												
DIMENSIONS: mm [INCHES]		CHK JEFF R RUTH 06/AUG/98	NAME												
TOLERANCES UNLESS OTHERWISE SPECIFIED:		APVD GARY YETTER 06/AUG/98	PRODUCT SPEC												
<table border="0"> <tr><td>0 PLC</td><td>± -</td></tr> <tr><td>1 PLC</td><td>± -</td></tr> <tr><td>2 PLC</td><td>± 0.25[.010]</td></tr> <tr><td>3 PLC</td><td>± -</td></tr> <tr><td>4 PLC</td><td>± -</td></tr> <tr><td>ANGLES</td><td>± -</td></tr> </table>		0 PLC	± -	1 PLC	± -	2 PLC	± 0.25[.010]	3 PLC	± -	4 PLC	± -	ANGLES	± -	APPLICATION SPEC	
0 PLC	± -														
1 PLC	± -														
2 PLC	± 0.25[.010]														
3 PLC	± -														
4 PLC	± -														
ANGLES	± -														
MATERIAL 082 BRASS	FINISH TIN	WEIGHT -	SIZE A3	CAGE CODE 00779											
CUSTOMER DRAWING			DRAWING NO C-1217106	RESTRICTED TO -											
SCALE 5:1			SHEET 1 OF 1	REV B											