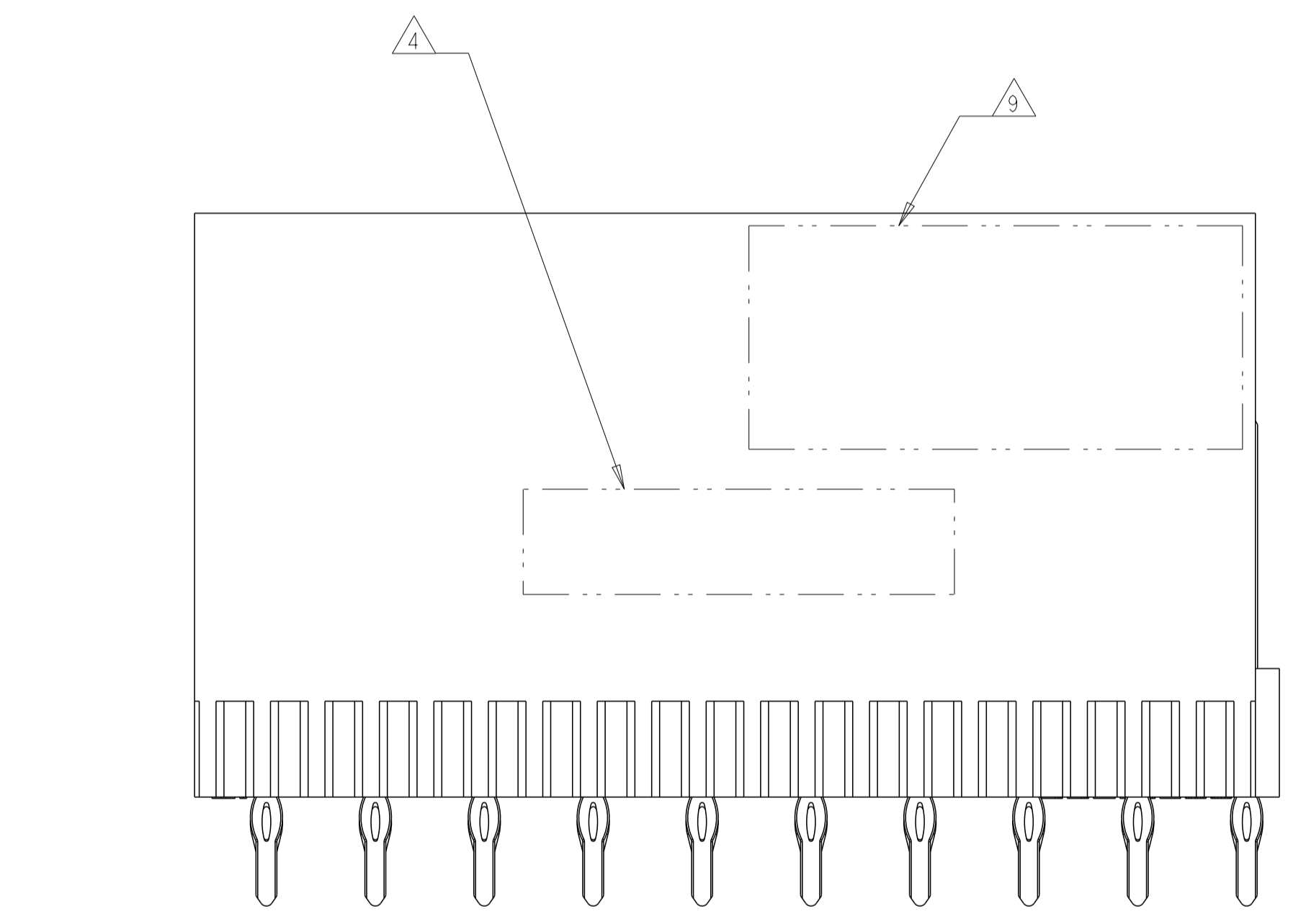
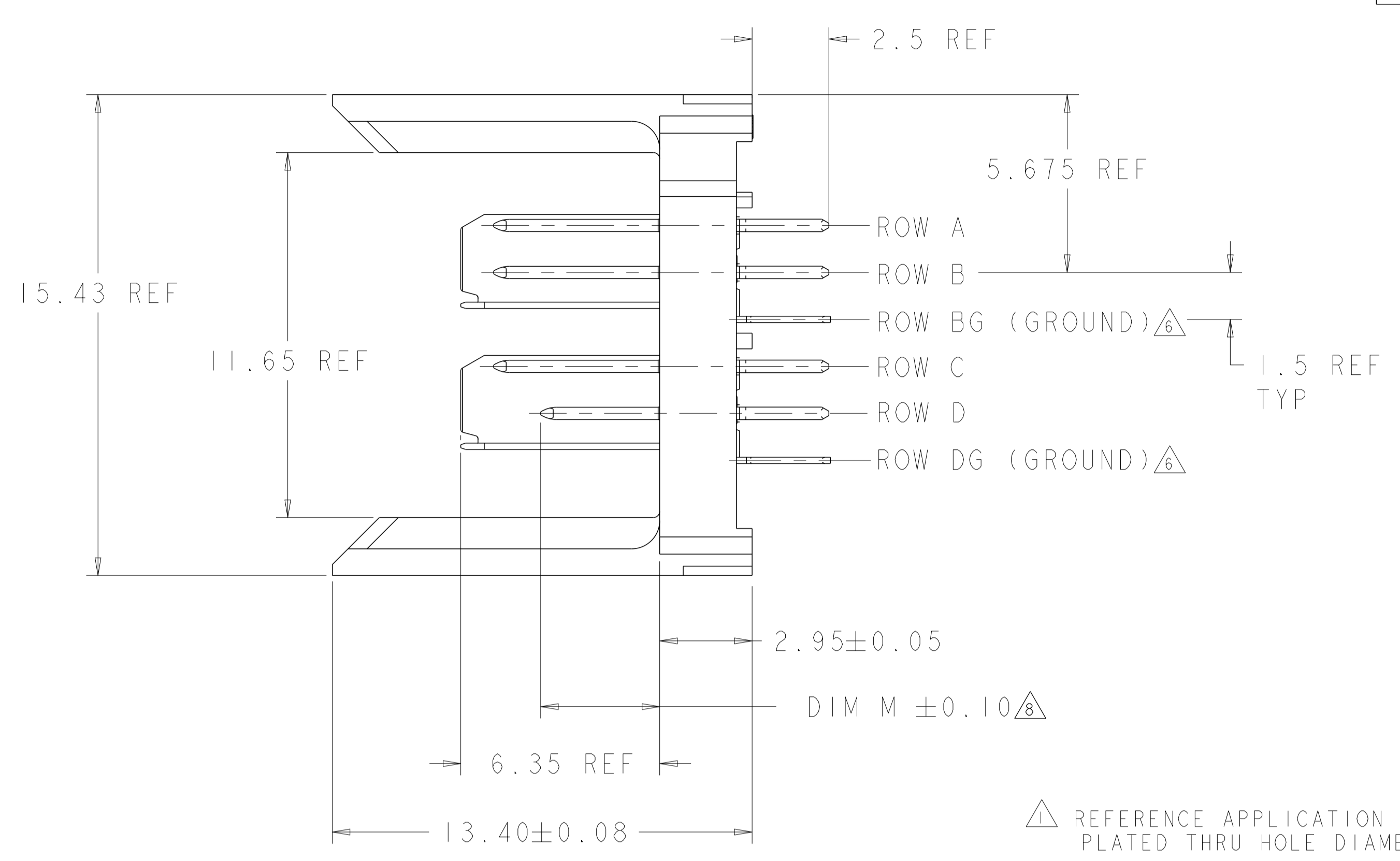
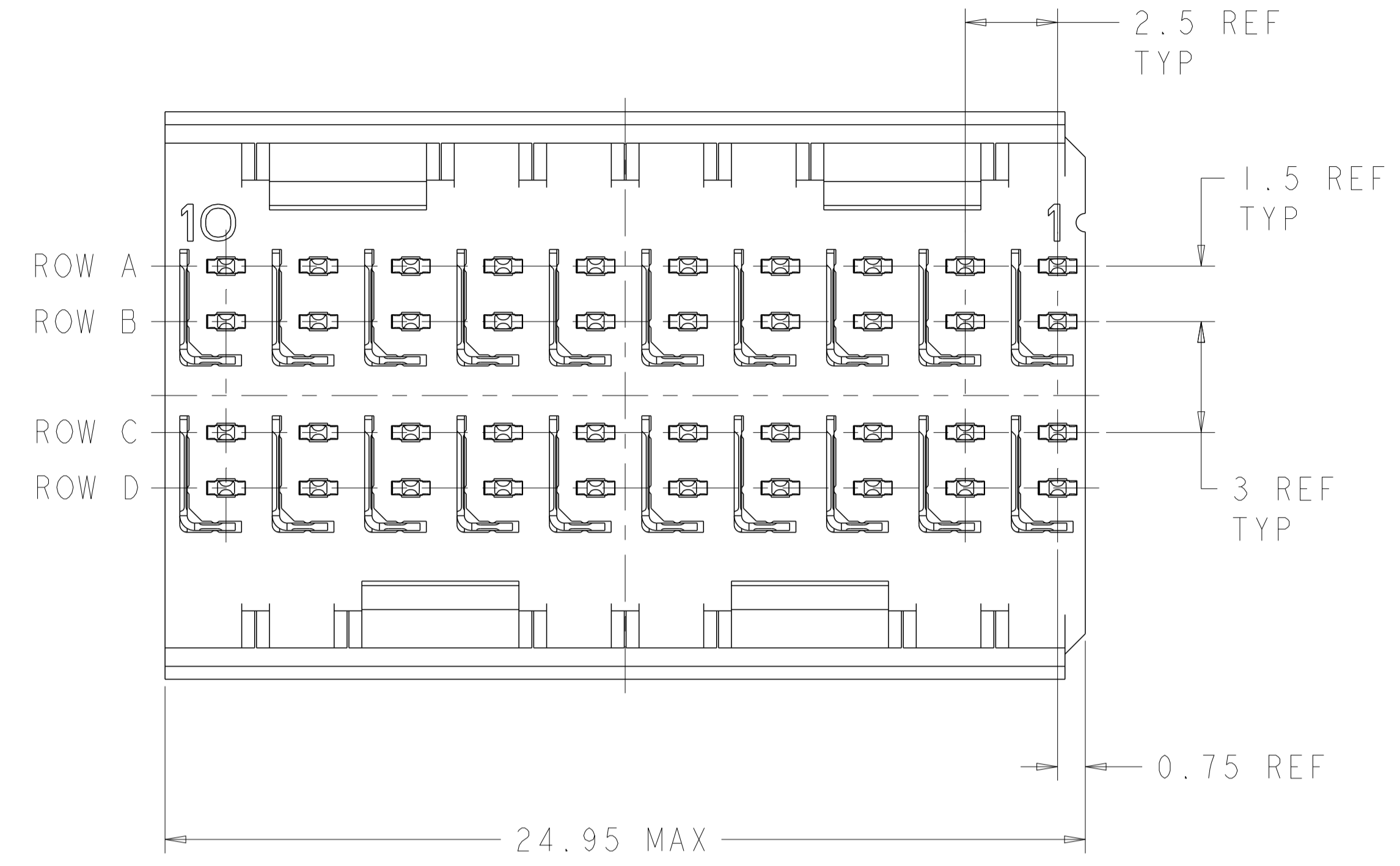
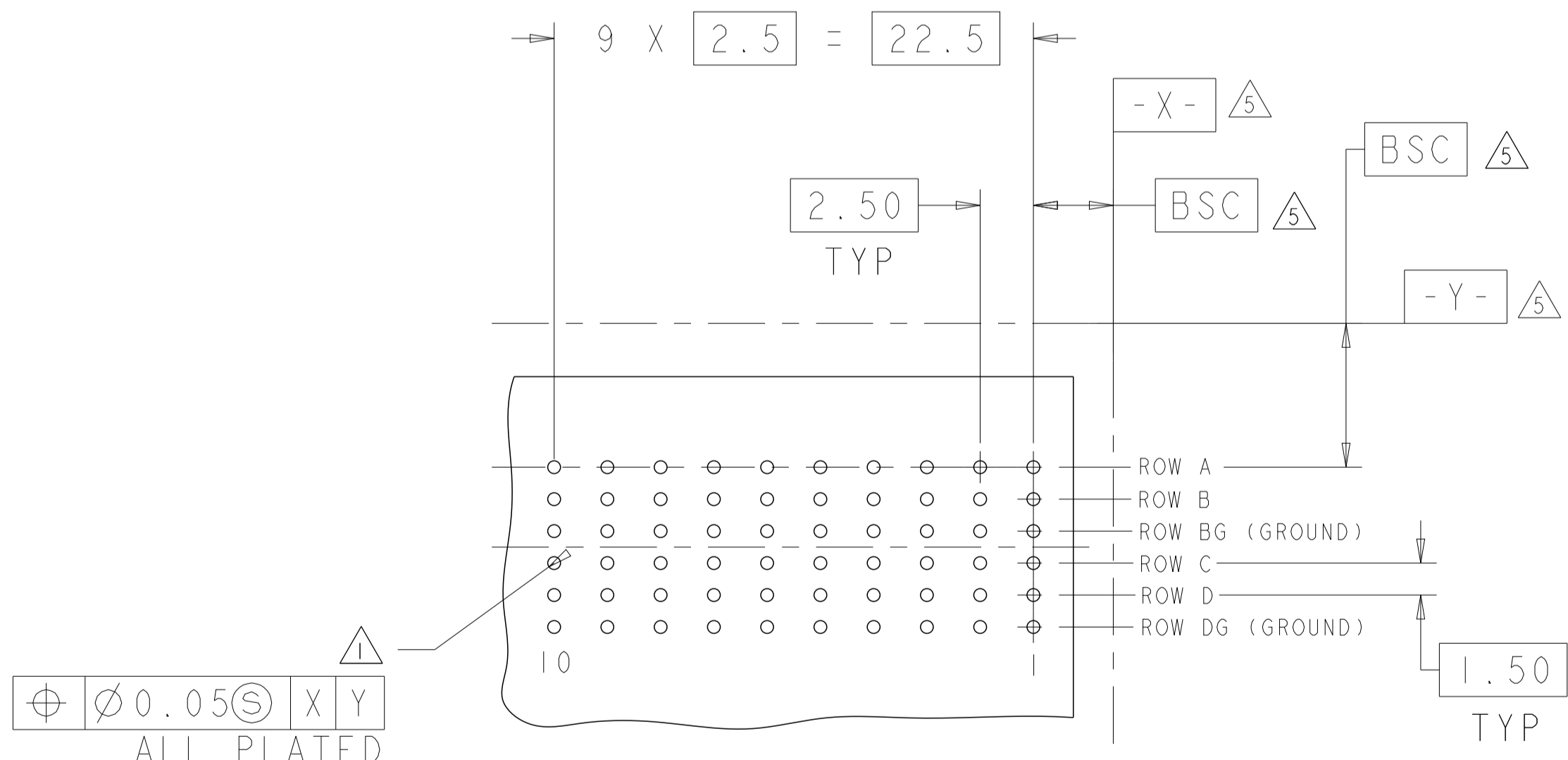


REVISIONS				
P	LTN	DESCRIPTION	DATE	APVD
C		REVISED PER ECO-18-018129	24OCT2019	AP DS



- △ REFERENCE APPLICATION SPEC 114-13059 FOR RECOMMENDED PLATED THRU HOLE DIAMETER AND PLATING THICKNESS.
- △ MATERIAL:
CONTACT AND SHIELD - PHOSPHOR BRONZE
HOUSING - GLASS FILLED POLYESTER
- △ FINISH: SIGNAL AND GROUND CONTACTS:
MATING AREA: MEETS THE PERFORMANCE REQUIREMENTS OF PRODUCT SPECIFICATION 108-2055; BASED ON TELCORDIA GR-1217-CORE, APPLICATIONS IN UNCONTROLLED ENVIRONMENTS
COMPLIANT PIN AREA: 0.5 μm MIN MATTE TIN OVER BASE PLATING
- △ CONNECTOR MARKED WITH PART NUMBER AND DATE CODE.
- △ DATUMS AND BASIC DIMENSIONS ESTABLISHED BY CUSTOMER.
- △ THE TWO GROUNDS IN EACH COLUMN ARE COMMONED.
- 7. CONTACT AREA LUBRICATED WITH BELLCORE APPROVED LUBRICANT. TECHNICAL REFERENCE: GR-1217-CORE, ISSUE 1, NOVEMBER 1995.
- △ REFER TO "CONTACT LAYOUT" CHART FOR SEQUENCING.
- △ TE OR TE CONNECTIVITY LOGO IS LOCATED.



⊕ ∅0.05Ⓢ X Y
ALL PLATED THRU HOLES

RECOMMENDED PC BOARD LAYOUT, BACKPLANE, COMPONENT SIDE SHOWN
SCALE 4:1

CONTACT LAYOUT	
A	3.80mm (DIM M)
B	5.30mm (DIM M)
G	GROUND
	COLUMNS
	10 9 8 7 6 5 4 3 2 1
ROWS	
A	A B B B B B B B B B
B	B B B B B B B B B B
BG	G G G G G G G G G G
C	B B B B B B B B B B
D	B B B B B B B B B A
DG	G G G G G G G G G G

6469639-1
PART NUMBER

THIS DRAWING IS A CONTROLLED DOCUMENT.		OWN: B. CARBO 04OCT2005	
DIMENSIONS: mm		CHK: R. PATTERSON 04OCT2005	
TOLERANCES UNLESS OTHERWISE SPECIFIED:		APVD: R. PATTERSON 04OCT2005	NAME: HEADER ASSEMBLY, 2 PAIR, SELECTIVELY LOADED, 2.5mm TAIL, 25mm, HMZd
0 PLC ±		PRODUCT SPEC:	SIZE: CAGE CODE DRAWING NO
1 PLC ±		APPLICATION SPEC:	RESTRICTED TO
2 PLC ±		WEIGHT:	A 100779 C=6469639
3 PLC ±		CUSTOMER DRAWING	SCALE 8:1 SHEET 1 OF 1 REV C
4 PLC ±			
ANGLES ±			
FINISH:			