

VIEW K  
(金具部投影図)  
(DETAIL OF FITTING NAIL)

|                  |      |       |      |                  |            |
|------------------|------|-------|------|------------------|------------|
| 21.6             | 19.6 | 15.65 | 14.5 | 52437-3072       | 30         |
| 21.1             | 19.1 | 15.15 | 14.0 | 52437-2972       | 29         |
| 20.6             | 18.6 | 14.65 | 13.5 | 52437-2872       | 28         |
| 20.1             | 18.1 | 14.15 | 13.0 | 52437-2772       | 27         |
| 19.6             | 17.6 | 13.65 | 12.5 | 52437-2672       | 26         |
| 19.1             | 17.1 | 13.15 | 12.0 | 52437-2572       | 25         |
| 18.6             | 16.6 | 12.65 | 11.5 | 52437-2472       | 24         |
| 18.1             | 16.1 | 12.15 | 11.0 | 52437-2372       | 23         |
| 17.6             | 15.6 | 11.65 | 10.5 | 52437-2272       | 22         |
| 17.1             | 15.1 | 11.15 | 10.0 | 52437-2172       | 21         |
| D                | C    | B     | (A)  | EMBOSSED PACKAGE | 極数<br>CKT. |
| ORDER No. オーダー番号 |      |       |      |                  |            |

CONNECTOR SERIES NO. : 52437-\*\*26

THIS DRAWING CONTAINS INFORMATION THAT IS PROPRIETARY TO MOLEX ELECTRONIC TECHNOLOGIES, LLC AND SHOULD NOT BE USED WITHOUT WRITTEN PERMISSION

SCALE: DIMENSION UNITS: mm NTS

GENERAL TOLERANCES (UNLESS SPECIFIED)

|          |   |
|----------|---|
| 4 PLACES | ± |
| 3 PLACES | ± |
| 2 PLACES | ± |
| 1 PLACE  | ± |
| 0 PLACES | ± |

ANGULAR TOL ± °

GENERAL TOLERANCES (UNLESS SPECIFIED)

|  |       |
|--|-------|
| 10 <sup>UNDER</sup>                    | ±0.2  |
| 10 <sup>OVER</sup> 30 <sup>UNDER</sup> | ±0.25 |
| 30 <sup>OVER</sup>                     | ±0.3  |
| ANGULAR                                | ±3 °  |

DRAFT WHERE APPLICABLE MUST REMAIN WITHIN DIMENSIONS

THIRD ANGLE PROJECTION

DRAWING: A3-SIZE

SERIES: 52437

MATERIAL NUMBER: SEE TABLE

CUSTOMER: GENERAL MARKET

SHEET NUMBER: 1 OF 2

EC NO: 719890  
DRWN: NARENC 2022/08/23  
CHK'D: SMARUYAMA 2022/09/05  
APPR: YNAITO 2022/09/05

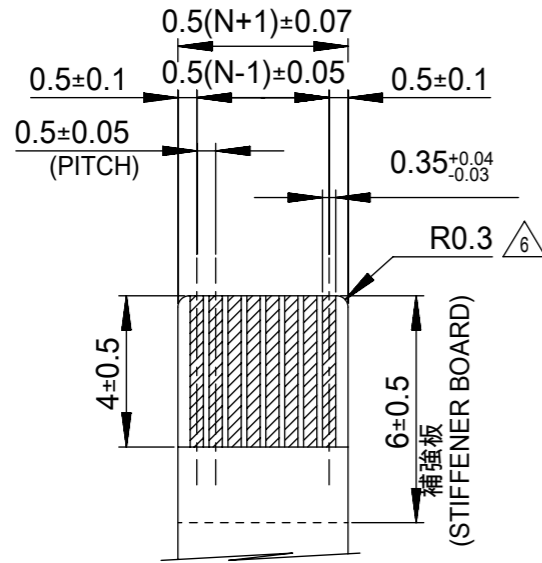
INITIAL REVISION:  
DRWN: YSAKIYAMA 2004/01/16  
APPR: MSASAO 2004/01/19

DOCUMENT NUMBER: SD-52437-017  
DOC TYPE: PSD  
DOC PART: 001  
REVISION: F

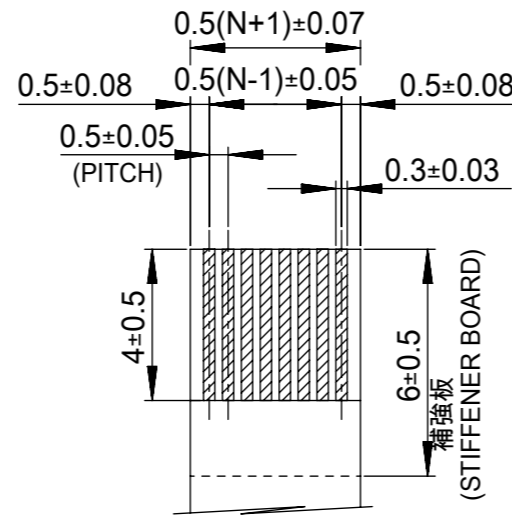
PRODUCT CUSTOMER DRAWING

molex

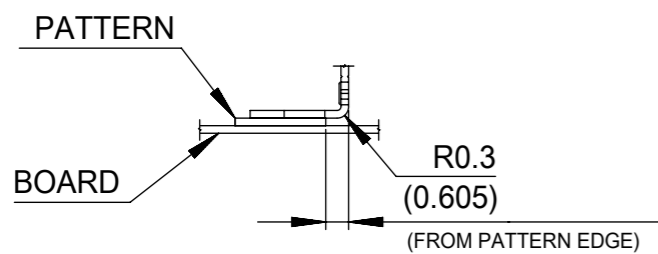
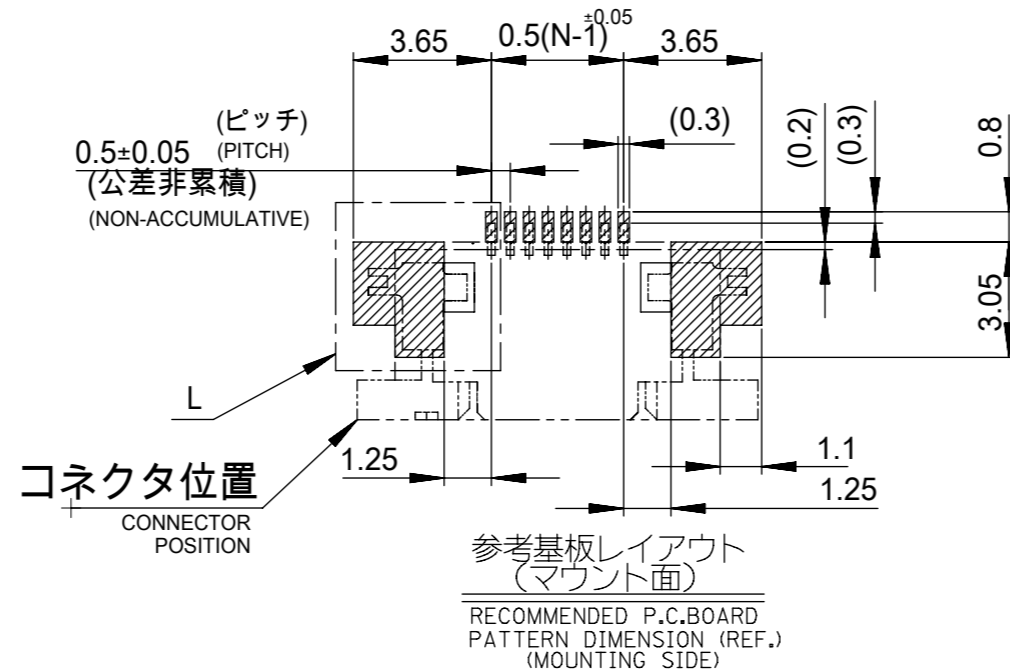
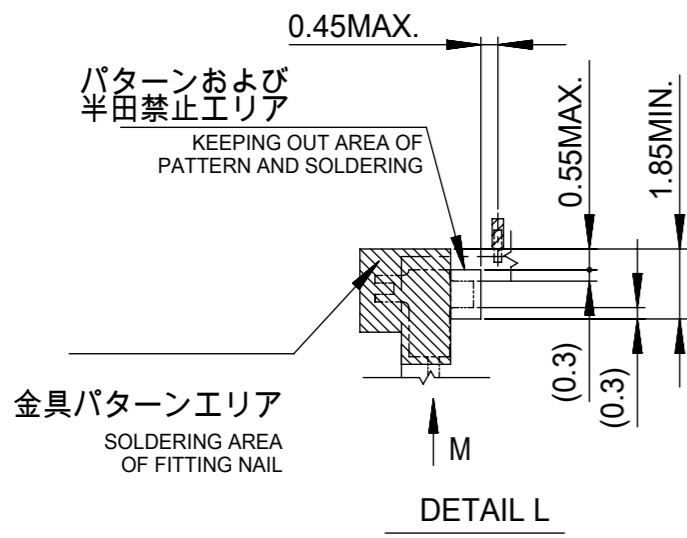
0.5 FPC CONN. ZIF FOR SMT R/A (BOTTOM CONTACT) TIN-BISMUTH PLATING



適合錫系めっきFPC推奨寸法  
 APPLICABLE FPC OF TIN  
 PLATING RECOMMENDED DIMENSION  
 仕上がり厚さ : 0.3±0.05  
 THICKNESS: 0.3±0.05/-0.05



適合錫系めっきFFC推奨寸法  
 APPLICABLE FFC OF TIN  
 PLATING RECOMMENDED DIMENSION  
 仕上がり厚さ : 0.3±0.05  
 THICKNESS: 0.3±0.05/-0.05



注記NOTES

1.使用材料

MATERIAL

ハウジング : 46ナイロン、ガラス充填、UL94V-0、白

HOUSING: PA46, GLASS FILLED, UL94V-0, WHITE

アクチュエータ : ポリフェニレンサルフィド ( PPS )、ガラス充填、UL94V-0、茶色

ACTUATOR: POLYPHENYLENE SULFIDE, GLASS FILLED, UL94V-0, BROWN

ターミナル : リン青銅、ニッケル下地錫ビスマスめっき ( t=0.2 )

TERMINAL: PHOSPHOR BRONZE, TIN BISMUTH OVER NICKEL PLATING

金具 : リン青銅、ニッケル下地錫めっき ( t=0.2 )

FITTING NAIL: PHOSPHOR BRONZE, TIN OVER NICKEL PLATING

2.エンボステープ梱包時は、アクチュエータがロックした状態になります。

IN THE PACKAGE, ACTUATOR OF PART

NO.52437-\*\*26 SHOULD BE LOCKED.

△3 ソルダータール半田付け面のズレ量、及び金具半田付け面のズレ量は、基準面Hに対して上方向に0.1MAXIMUM、下方向0.15MAXIMUMとする。  
 MISALIGNMENT OF SOLDER TAILS AND FITTING NAILS FROM DATUM-H.

UPPER DIRECTON: 0.1MAXIMUM

LOWER DIRECTION: 0.15 MAXIMUM

△4 偶数極に適用

APPLY FOR EVEN CIRCUIT.

△5 パターン剥離止め金具

FITTING NAIL FOR PREVENTION OF PEELING OF P.W.B. PATTERN.

△6 R0.3は、FPCの導体部にかからないこと

R0.3 MUST NOT BE OVERLAPED TO PATTERN OF FPC.

7.ソルダータールの平坦度は、0.1MAXIMUMとする。

SOLDER TAIL COPLANARITY IS 0.1 MAXIMUM.

8.ELV 及び RoHS 適合品

ELV AND RoHS COMPLIANT

FPCについて:

打抜き方向は導体側から補強板側を推奨致します。

補強フィルム材質はポリイミドを推奨致します。

接着剤は熱硬化接着剤を推奨致します。

ABOUT FPC:

RECOMMENDED PUNCHER DIRECTION :

FROM CONDUCTOR SIDE TO STIFFENER BOARD SIDE.

RECOMMENDED MATERIAL:

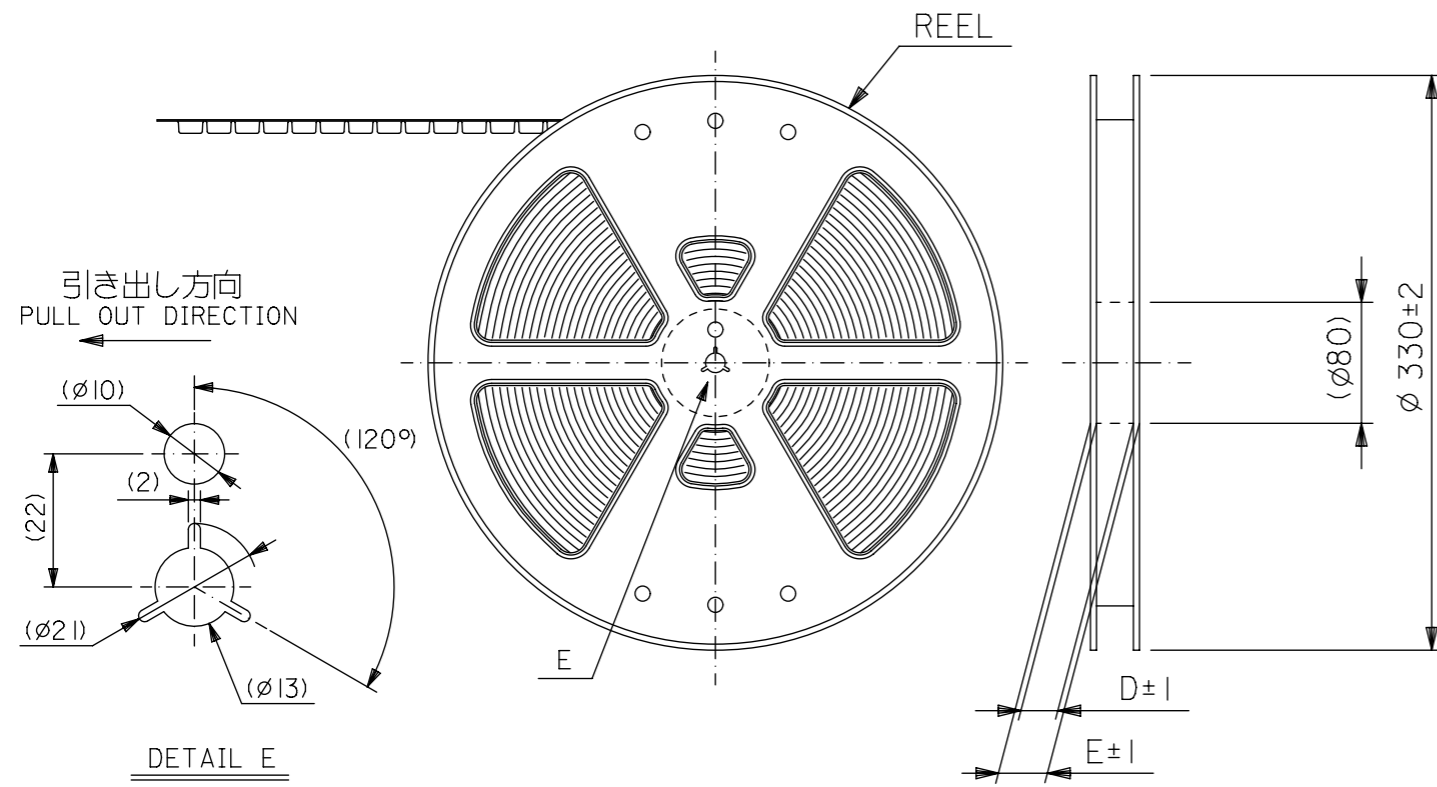
STIFFENER FILM : POLYIMIDE

BONDING AGENT : THERMOSETTING BONDING AGENT

THIS DRAWING CONTAINS INFORMATION THAT IS PROPRIETARY TO MOLEX ELECTRONIC TECHNOLOGIES, LLC AND SHOULD NOT BE USED WITHOUT WRITTEN PERMISSION

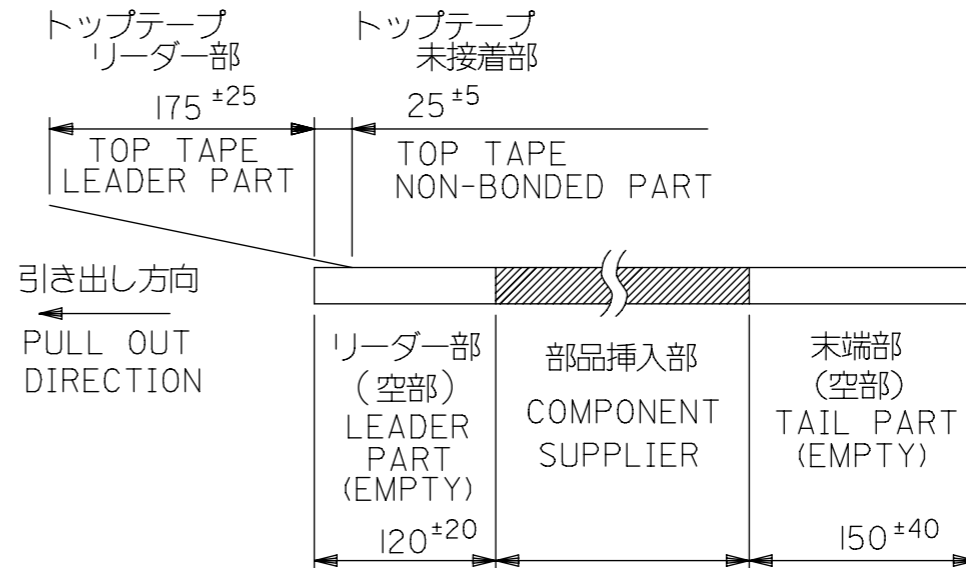
| DIMENSION UNITS                                      | SCALE | CURRENT REV DESC. | molex  |             |                |                 |
|--|-------|-------------------|--|-------------|----------------|-----------------|
| mm   | NTS   |                   | 0.5 FPC CONN. ZIF FOR SMT R/A (BOTTOM CONTACT) TIN-BISMUTH PLATING |             |                |                 |
| GENERAL TOLERANCES (UNLESS SPECIFIED)                |       |                   | PRODUCT CUSTOMER DRAWING   |             |                |                 |
| ANGULAR TOL  | ±     | °                 | DOCUMENT NUMBER  |             |                |                 |
| 4 PLACES   | ±     |                   | SD-52437-017   |             | DOC TYPE       | DOC PART        |
| 3 PLACES   | ±     |                   | PSD  | 001         | REVISION       |                 |
| 2 PLACES   | ±     |                   | F  |             |                |                 |
| 1 PLACE  | ±     |                   | SHEET NUMBER   |             |                |                 |
| 0 PLACES   | ±     |                   | 2 OF 2   |             |                |                 |
| DRAFT WHERE APPLICABLE MUST REMAIN WITHIN DIMENSIONS |       |                   | THIRD ANGLE PROJECTION   | DRAWING     | SERIES         | MATERIAL NUMBER |
| ANGULAR  |       |                   | ±3 °   | A3-SIZE     | 52437          | CUSTOMER        |
|  |       |                   |  | SEE SHEET 1 | GENERAL MARKET |                 |

| GENERAL TOLERANCES (UNLESS SPECIFIED)  |       |  |
|--|-------|--|
| 10 <sup>UNDER</sup>                    | ±0.2  |  |
| 10 <sup>OVER</sup> 30 <sup>UNDER</sup> | ±0.25 |  |
| 30 <sup>OVER</sup>                     | ±0.3  |  |



注記 NOTES

- 製品番号 52437-\*\*26 の梱包状態はアクチュエータがロックした状態とする。  
詳細寸法については図面 SD-52437-017 を参照下さい。  
IN THE PACKAGE,ACTUATOR OF PART NO.52437-\*\*26 SHOULD BE LOCKED RE DETAILED DIMENSIONS,SEE SD-52437-017.
- 梱包数量：1000個/リール  
NUMBER OF CONNECTORS:1000PCS/REEL
- リードテープ長さ LEAD TAPE LENGTH



5. 材料 (MATERIAL)

キャリアテープ (CARRIER TAPE) : ポリプロピレン (POLYPROPYLENE)  
 トップテープ (TOPTAPE) : PET, PE, PEF  
 リール (REEL) : ポリスチレン (PS) <リサイクル材を含む>  
 POLYSTYREN (PS) <RECYCLE MATERIAL CONTAINED>

6. 本製品は 52437-\*\*91 の鉛フリー品である。

THIS PRODUCT IS LEAD FREE OF 52437-\*\*91.

4. トップテープの剥離強度：(剥離方向は下図参照)

0. 1N~1.3N {10gf~130gf} 尚、本規格値は、出荷時に適用。

(但し、輸送時に剥離が発生しない事。)

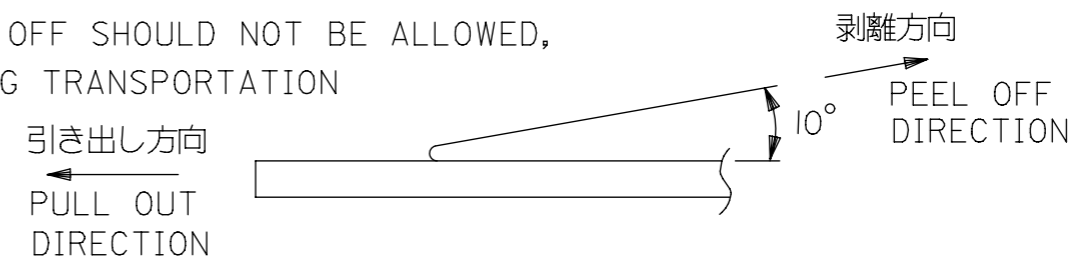
PEELING OFF FORCE OF TOP TAPE

0.1N ~ 1.3N {10gf ~ 130gf} (PEELING DIRECTION AS SHOWN IN FOLLOWING FIG.)

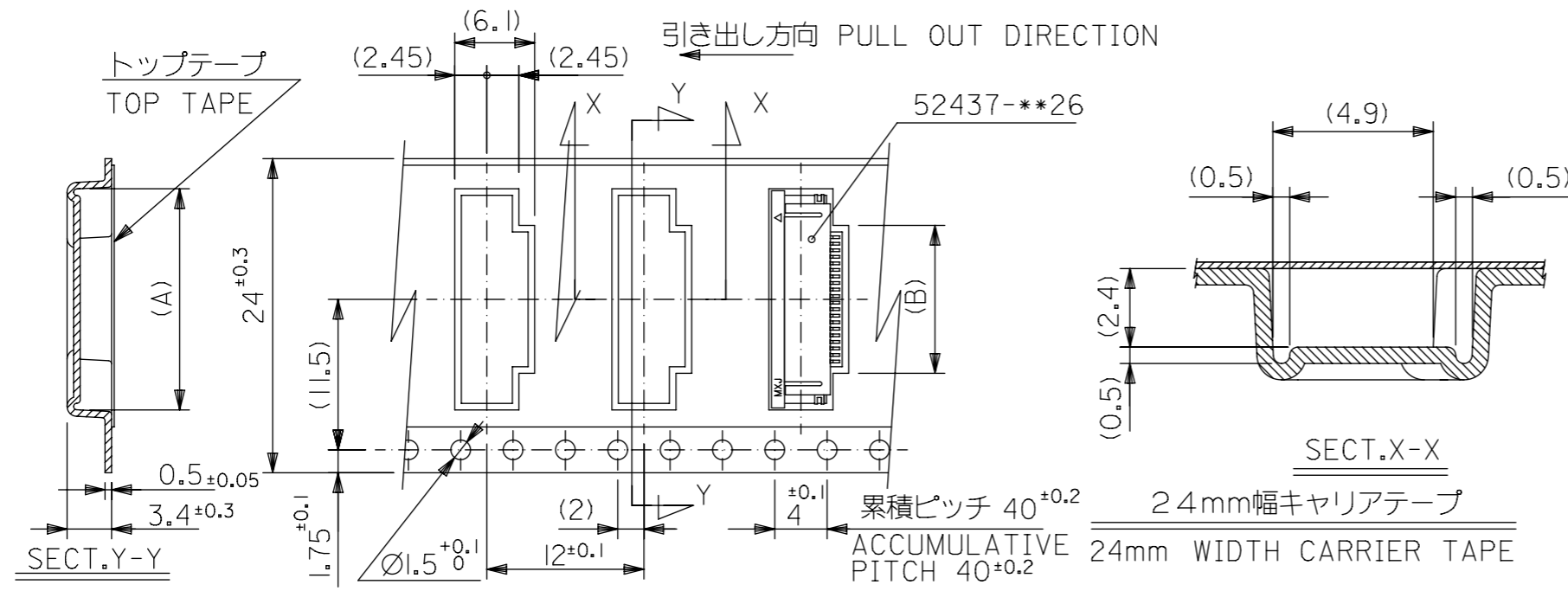
THIS REQUIREMENT SHOULD BE APPLIED AT SHIPMENT

PEEL OFF SHOULD NOT BE ALLOWED,

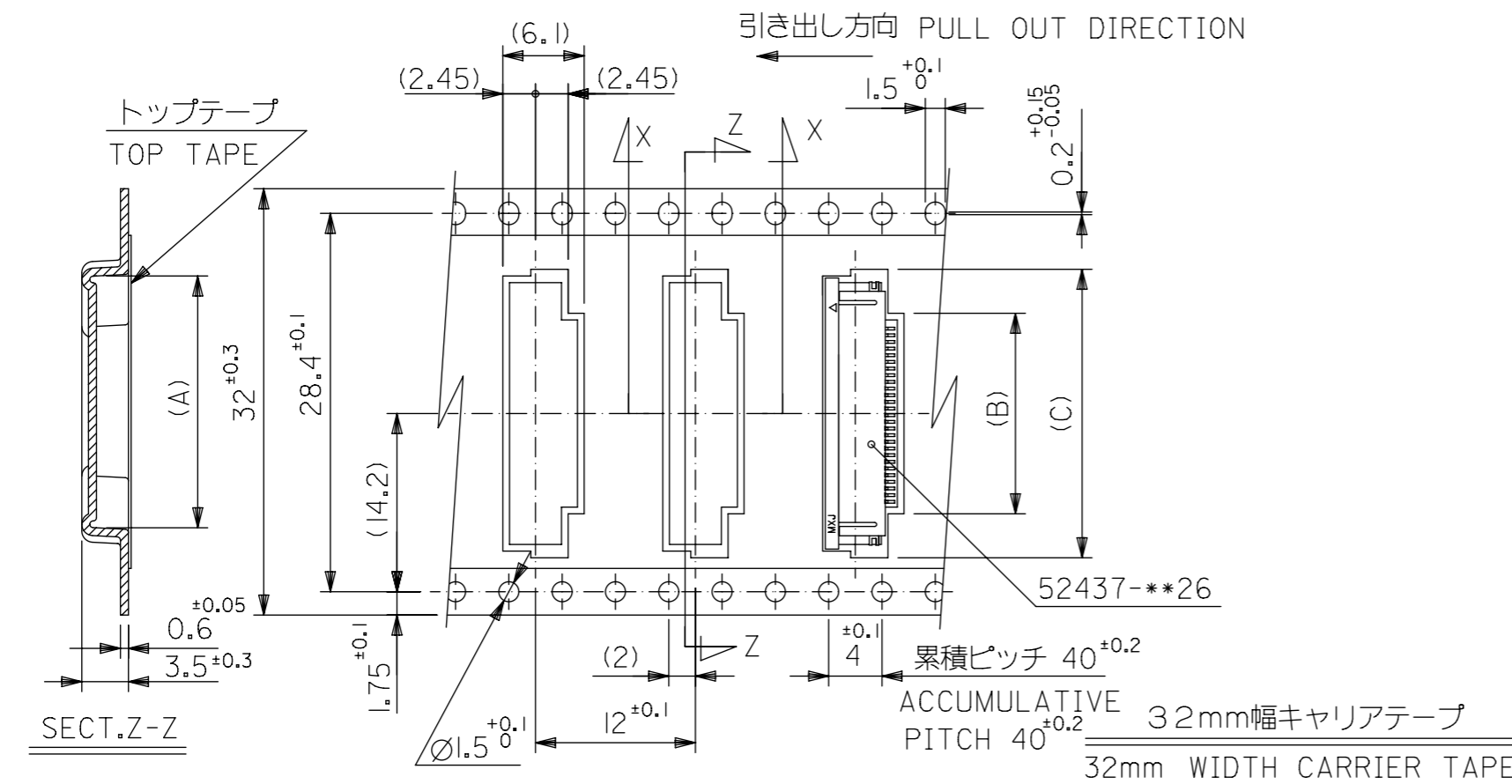
DURING TRANSPORTATION



|   |       |                                       |  |  |  |
|---|-------|---------------------------------------|--|--|--|
| THIS DRAWING CONTAINS INFORMATION THAT IS PROPRIETARY TO MOLEX ELECTRONIC TECHNOLOGIES, LLC AND SHOULD NOT BE USED WITHOUT WRITTEN PERMISSION |       | CURRENT REV DESC:                     |  | <b>molex</b>                                   |  |
| DIMENSION UNITS   | SCALE |                                       |  |  |  |
| mm  | NTS   |                                       |  | 0.5 FPC CONN ZIF SMT RA EMBSTP PKG -LEAD FREE- |  |
| GENERAL TOLERANCES (UNLESS SPECIFIED)   |       | GENERAL TOLERANCES (UNLESS SPECIFIED) |  | PRODUCT CUSTOMER DRAWING                       |  |
| ANGULAR TOL ±   |       | ANGULAR TOL ±                         |  | DOCUMENT NUMBER                                |  |
| 4 PLACES ±  |       | 4 PLACES ±                            |  | SD-52437-018                                   |  |
| 3 PLACES ±  |       | 3 PLACES ±                            |  | DOC TYPE                                       |  |
| 2 PLACES ±  |       | 2 PLACES ±                            |  | PSD  |  |
| 1 PLACE ±   |       | 1 PLACE ±                             |  | DOC PART                                       |  |
| 0 PLACES ±  |       | 0 PLACES ±                            |  | 001  |  |
| DRAFT WHERE APPLICABLE MUST REMAIN WITHIN DIMENSIONS  |       | THIRD ANGLE PROJECTION                |  | REVISION                                       |  |
|   |       |                                       |  | B  |  |
| DRAWING   |       | SERIES                                |  | MATERIAL NUMBER                                |  |
| A3-SIZE   |       | 52437                                 |  | CUSTOMER                                       |  |
|   |       |                                       |  | GENERAL MARKET                                 |  |
| SHEET NUMBER  |       |                                       |  | 1 OF 3   |  |



|                                |      |      |      |      |              |               |
|--------------------------------|------|------|------|------|--------------|---------------|
| 24                             | 29.4 | 25.4 | 11.8 | 17.4 | 52437-2172   | 21            |
| キャリアテープ幅<br>CARRIER TAPE WIDTH | E    | D    | (B)  | (A)  | MATERIAL NO. | 極数<br>CIRCUIT |

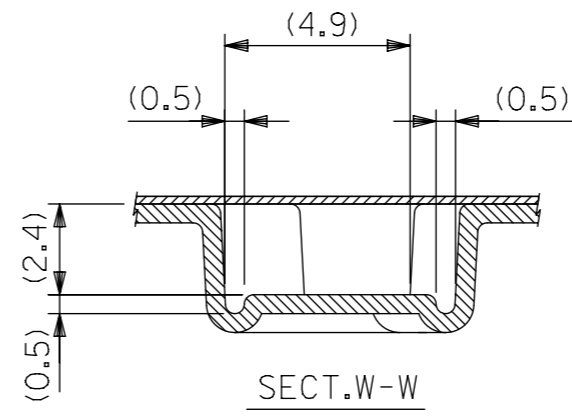
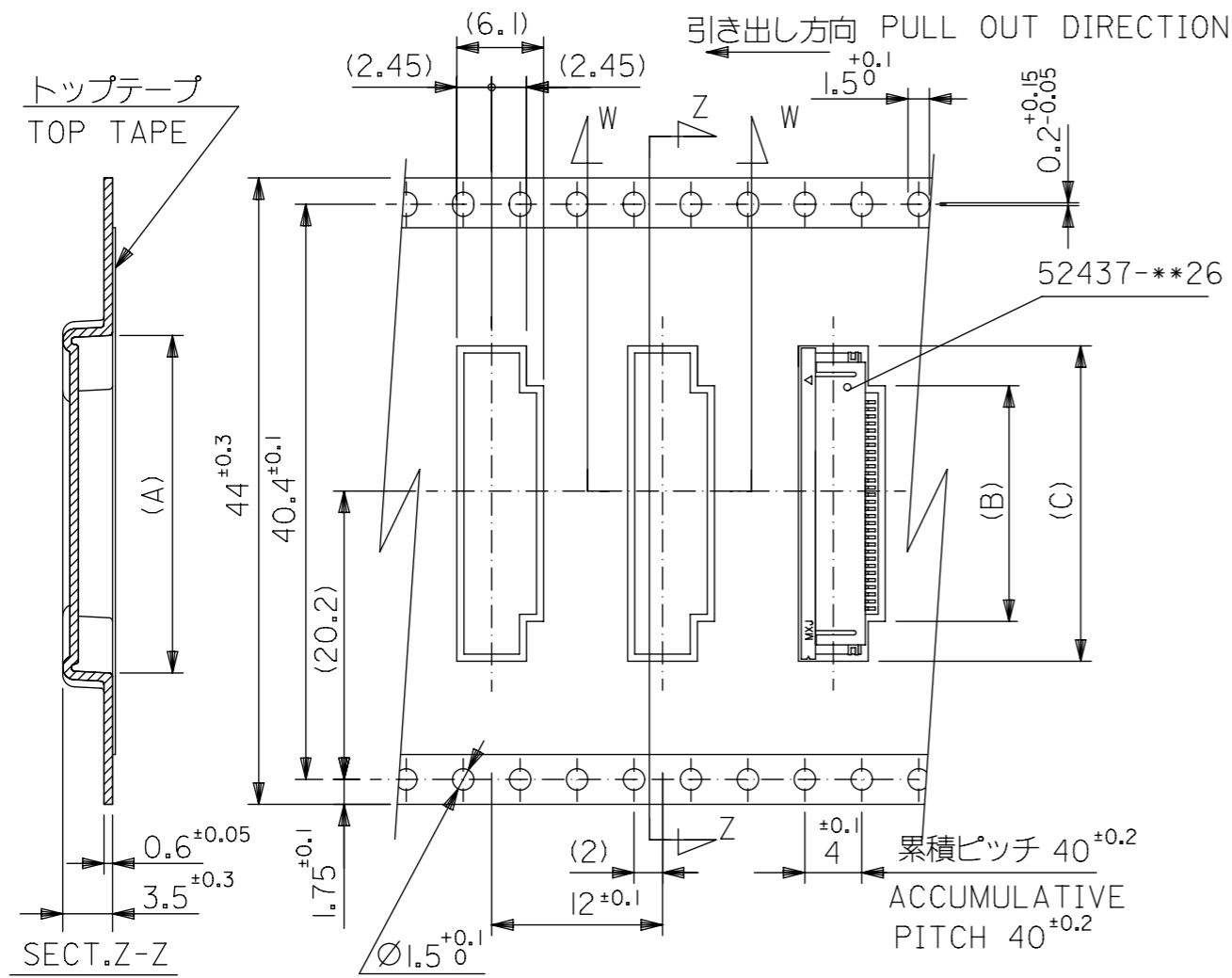


|                                |      |      |      |      |      |              |               |
|--------------------------------|------|------|------|------|------|--------------|---------------|
| 32                             | 37.4 | 33.4 | 22.4 | 15.8 | 21.4 | 52437-2972   | 29            |
|                                |      |      | 21.9 | 15.3 | 20.9 | -2872        | 28            |
|                                |      |      | 21.4 | 14.8 | 20.4 | -2772        | 27            |
|                                |      |      | 20.9 | 14.3 | 19.9 | -2672        | 26            |
|                                |      |      | 20.4 | 13.8 | 19.4 | -2572        | 25            |
|                                |      |      | 19.9 | 13.3 | 18.9 | -2472        | 24            |
|                                |      |      | 19.4 | 12.8 | 18.4 | -2372        | 23            |
|                                |      |      | 18.9 | 12.3 | 17.9 | 52437-2272   | 22            |
| キャリアテープ幅<br>CARRIER TAPE WIDTH | E    | D    | (C)  | (B)  | (A)  | MATERIAL NO. | 極数<br>CIRCUIT |

THIS DRAWING CONTAINS INFORMATION THAT IS PROPRIETARY TO MOLEX ELECTRONIC TECHNOLOGIES, LLC AND SHOULD NOT BE USED WITHOUT WRITTEN PERMISSION

|  |       |                   |  |                 |                |
|--|-------|-------------------|--|-----------------|----------------|
| DIMENSION UNITS                                      | SCALE | CURRENT REV DESC. | <b>molex</b>                                   |                 |                |
| mm   | NTS   |                   |  |                 |                |
| GENERAL TOLERANCES (UNLESS SPECIFIED)                |       |                   | 0.5 FPC CONN ZIF SMT RA EMBSTP PKG -LEAD FREE- |                 |                |
| ANGULAR TOL ±  |       |                   | PRODUCT CUSTOMER DRAWING                       |                 |                |
| 4 PLACES ±   |       | EC NO: 719890     | DOCUMENT NUMBER                                |                 |                |
| 3 PLACES ±   |       | DRWN: NARENC      | 2022/08/23                                     | DOC TYPE        | DOC PART       |
| 2 PLACES ±   |       | CHK'D: SMARUYAMA  | 2022/09/05                                     | SD-52437-018    | 001            |
| 1 PLACE ±  |       | APPR: YNAITO      | 2022/09/05                                     | PSD             | B              |
| 0 PLACES ±   |       | INITIAL REVISION: | SHEET NUMBER                                   |                 |                |
| DRAFT WHERE APPLICABLE MUST REMAIN WITHIN DIMENSIONS |       |                   | DRWN: YSAKIYAMA                                | 2004/01/16      |                |
| THIRD ANGLE PROJECTION                               |       |                   | APPR: MSASAO                                   | 2004/01/19      |                |
| DRAWING  |       |                   | SERIES   | MATERIAL NUMBER | CUSTOMER       |
| A3-SIZE  |       |                   | 52437  | SEE TABLE       | GENERAL MARKET |

| GENERAL TOLERANCES (UNLESS SPECIFIED)  |       |
|--|-------|
| 10 <sup>UNDER</sup>                    | ±0.2  |
| 10 <sup>OVER</sup> 30 <sup>UNDER</sup> | ±0.25 |
| 30 <sup>OVER</sup>                     | ±0.3  |
| ANGULAR                                | ±3°   |



44mm幅キャリアテープ  
44mm WIDTH CARRIER TAPE

|                                |      |      |      |      |      |              |               |
|--------------------------------|------|------|------|------|------|--------------|---------------|
| 44                             | 49.4 | 45.4 | 22.9 | 16.3 | 21.9 | 52437-3072   | 30            |
| キャリアテープ幅<br>CARRIER TAPE WIDTH | E    | D    | (C)  | (B)  | (A)  | MATERIAL NO. | 極数<br>CIRCUIT |

THIS DRAWING CONTAINS INFORMATION THAT IS PROPRIETARY TO MOLEX ELECTRONIC TECHNOLOGIES, LLC AND SHOULD NOT BE USED WITHOUT WRITTEN PERMISSION

|  |       |                   |  |                 |                 |
|--|-------|-------------------|--|-----------------|-----------------|
| DIMENSION UNITS                                      | SCALE | CURRENT REV DESC: | <b>molex</b>                                   |                 |                 |
| mm   | NTS   |                   |  |                 |                 |
| GENERAL TOLERANCES (UNLESS SPECIFIED)                |       |                   | 0.5 FPC CONN ZIF SMT RA EMBSTP PKG -LEAD FREE- |                 |                 |
| ANGULAR TOL ±  |       |                   | PRODUCT CUSTOMER DRAWING                       |                 |                 |
| 4 PLACES ±   |       |                   | EC NO: 719890                                  | 2022/08/23      | DOCUMENT NUMBER |
| 3 PLACES ±   |       |                   | DRWN: NARENC                                   | 2022/09/05      |                 |
| 2 PLACES ±   |       |                   | CHK'D: SMARUYAMA                               | 2022/09/05      | DOC PART        |
| 1 PLACE ±  |       |                   | APPR: YNAITO                                   | 2022/09/05      | REVISION        |
| 0 PLACES ±   |       |                   | INITIAL REVISION:                              | 2004/01/16      | SD-52437-018    |
| DRAFT WHERE APPLICABLE MUST REMAIN WITHIN DIMENSIONS |       |                   | DRWN: YSAKIYAMA                                | 2004/01/19      |                 |
| THIRD ANGLE PROJECTION                               |       |                   | APPR: MSASAO                                   | 2004/01/19      | PSD             |
| DRAWING  |       |                   | SERIES   | MATERIAL NUMBER | CUSTOMER        |
| A3-SIZE  |       |                   | 52437  | SEE TABLE       | GENERAL MARKET  |
| SHEET NUMBER   |       |                   | 3 OF 3   |                 |                 |

GENERAL TOLERANCES (UNLESS SPECIFIED)

|  |       |
|--|-------|
| 10 <sup>UNDER</sup>                    | ±0.2  |
| 10 <sup>OVER</sup> 30 <sup>UNDER</sup> | ±0.25 |
| 30 <sup>OVER</sup>                     | ±0.3  |
| ANGULAR                                | ±3°   |