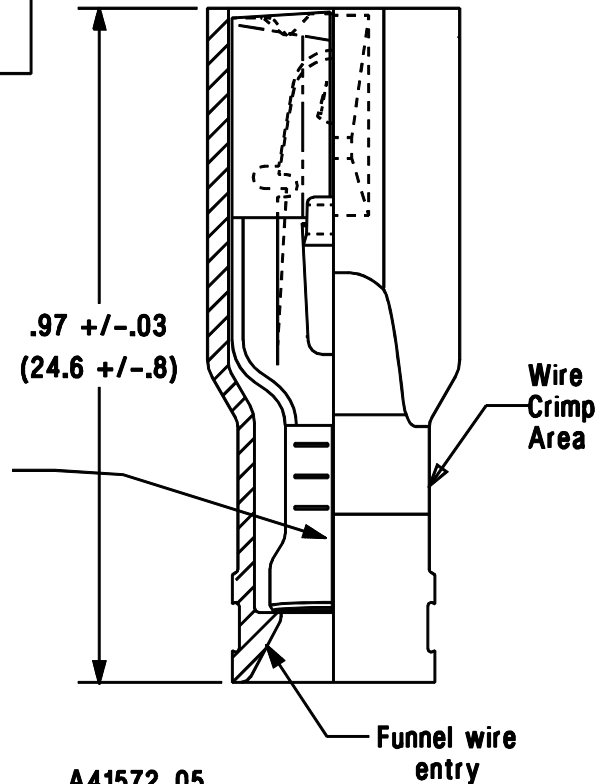
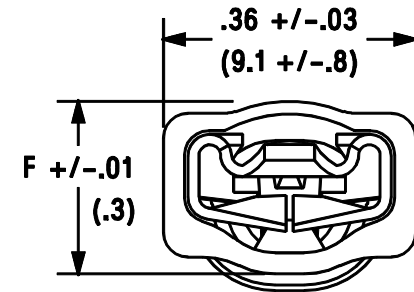


Panduit Part number		Wire range AWG (mm ²)	Housing color	Dim. "F"	Minimum Wire Insulation Diameter	Maximum Wire Insulation Diameter	Tools
Prefix	PK						
DNG18-250FL	-C -M	22-18 (0.5-1.5)	Red	.24 (6.1)	.060 (1.52)	.126 (3.20)	CT-1014
DNG14-250FL	-C -M	16-14 (1.5-2.5)	Blue	.25 (6.4)	.080 (2.03)	.150 (3.81)	



Notes:

- Used for:
 - 300 V maximum rating
 - 221°F (105°C) maximum temperature rating
 - Stranded copper wire only
- Wire strip length: $1/4 \begin{matrix} +1/32 \\ -0 \end{matrix}$ $(6.4 \begin{matrix} +.8 \\ -0 \end{matrix})$
- Material:
 - Stamping - Tin plated brass
 - Housing - Nylon
- Tab size .250 X .032 (6.3 X .8)
Hole type detent
- Packaging:
 - C = 100 pieces
 - M = 1000 pieces
- Dimensions in brackets are in millimeters or mm²



05	01/01	EJS		FILE SPEC WAS N41572AA_PCD_04	08933		
04	1/97	JAMB		ADDED TO NOTES, "MIN. WIRE INSULATION DIA."	05405		
03	12/95	ED	RLS	REVISION TO NOTES AND UL RECOGNIZED	03835	TFKE	LA
02	2/95	MS	JW	WIRE STRIP LNTH WAS 3/16, TOOL NO. WAS CT-1000	03003	KS	LA
01	7/94	MS	JW	CSA CERTIFIED, WIRE STRIP LNTH WAS 7/32	02381	KS	LA
REV	DATE	BY	CHK	DESCRIPTION	ECN #	PM	CUST

A41572_05

PANDUIT CORP.

TINLEY PARK, ILLINOIS

**Disco-Lok™ Loose piece
Fully Insulated Locking Female Disconnect**

DRAWN BY	CHK'D	SCALE	DRAWING NO./CAD FILENAME
BDK	JAW	None	A41572