

PART NAME: HANDLE SCALE: 1:1 DATE: 9/17/85 DR. BY HD

THIS DRAWING IS THE PROPERTY OF DAVIES MOLDING COMPANY, IS SUBMITTED SOLELY AS A DESIGN OR ENGINEERING PROJECT. WE ACCEPT NO RESPONSIBILITY WHATSOEVER FOR THE PRACTICAL APPLICATION OF THE PIECES MADE TO THIS DESIGN.



DESIGNERS & MANUFACTURERS OF KNOBS, HANDLES, CASES & CUSTOM PLASTIC COMPONENTS

P/N 0693-P

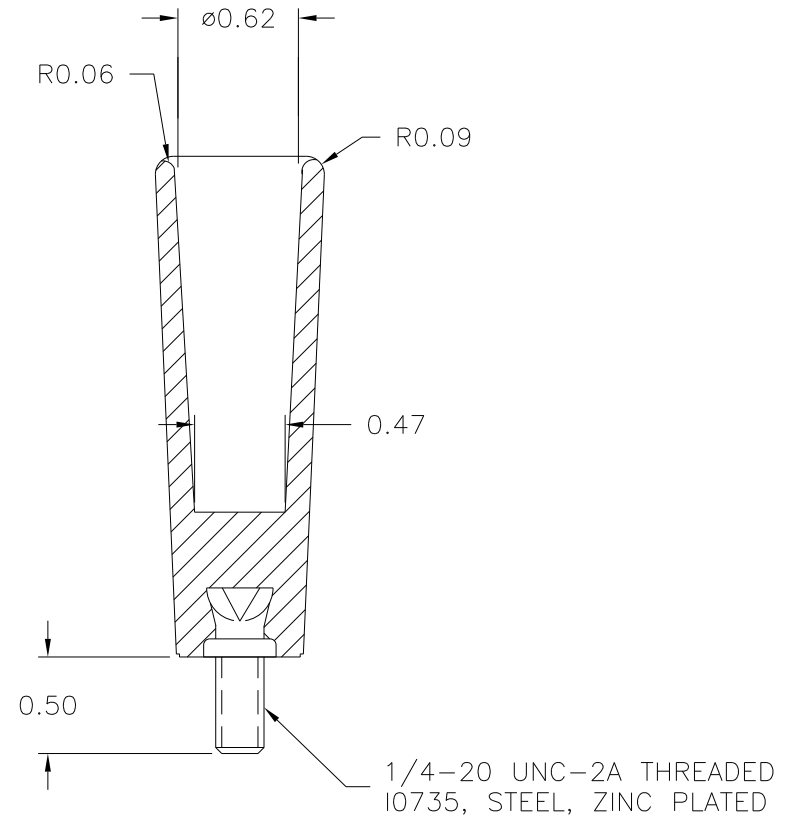
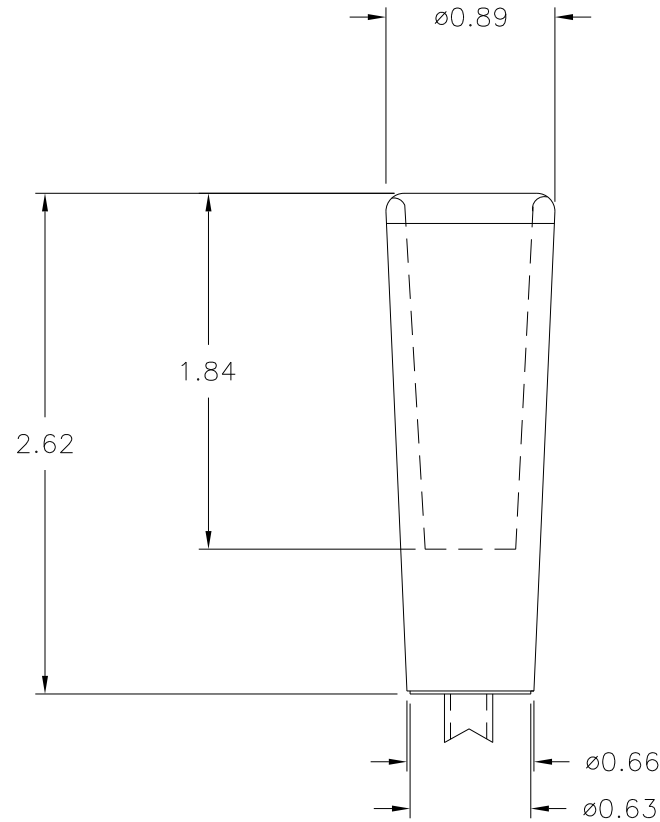
M<sup>NO.</sup> 0692

CAVITY 0692

PLUNGER 0693

PIN 0692-A

INSERT 10735



MATERIAL: G.P. PHENOLIC (B11)  
COLOR: BLACK

|   |                                  |         |            |            |
|---|----------------------------------|---------|------------|------------|
| TOLERANCES:<br>UNLESS OTHERWISE SPECIFIED | DO NOT SCALE<br>DRAWING          |         |            |            |
| DECIMALS: X.XXX ± .005<br>X.XX ± .015     | MM: X.XX ± 0.15MM<br>X.X ± 0.4MM | -       | CAD REDRAW | HD 8/16/94 |
| FRACTIONS ± 1/64                          | ANG. ± 1°                        | CHANGES |            |            |