



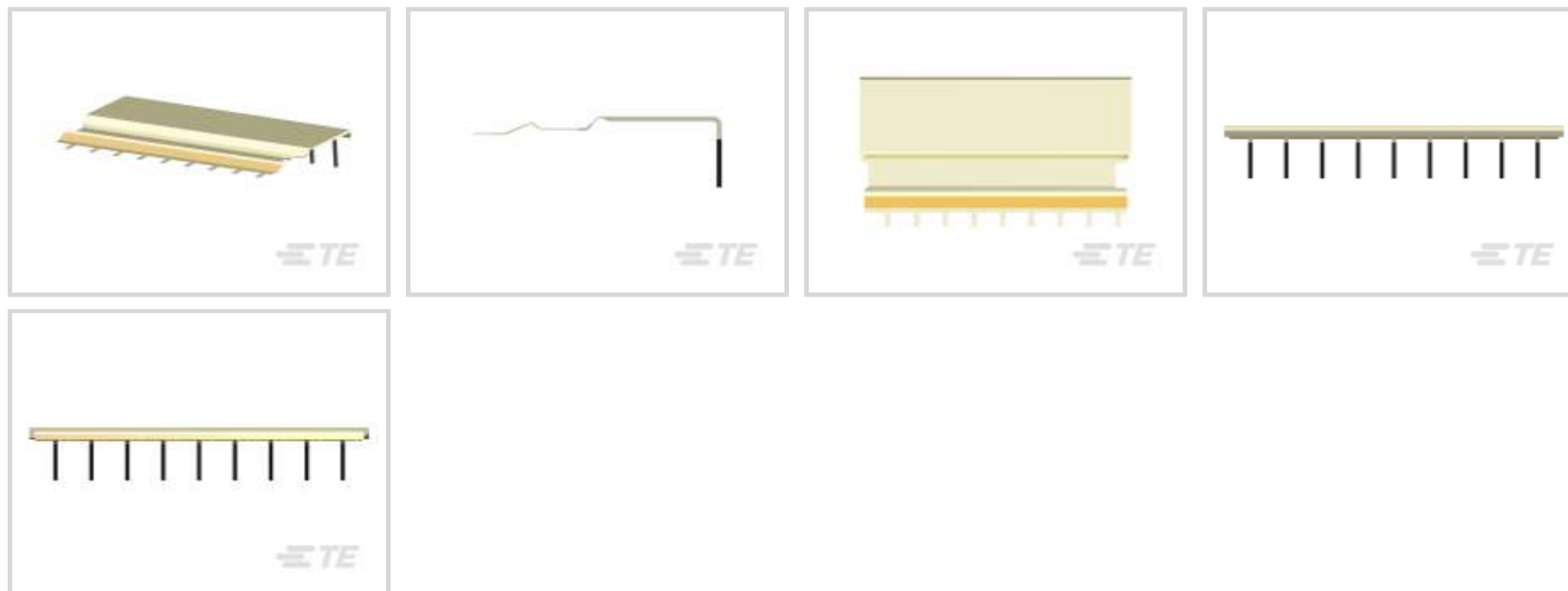
Z-PACK | Z-PACK 2mm HM

TE Internal #: 5352029-2

PCB Ferrules & Shields, Shield (Lower), Ground Return Shielding, Z-PACK 2mm HM

[View on TE.com >](#)

Connectors > PCB Connectors > PCB Connector Accessories > PCB Protection & Strain Relief > PCB Ferrules & Shields



Connector Shielding Accessory Type: **Shield (Lower)**

Ground Feature Type: **Ground Return Shielding**

Features

Product Type Features

Connector Shielding Accessory Type	Shield (Lower)
Ground Feature Type	Ground Return Shielding

Contact Features

Contact Mating Area Plating Material	Tin
Contact Base Material	Phosphor Bronze

Packaging Features

Packaging Quantity	30
--------------------	----

Other

Connector Accessory Comment	For use with Right Angle Female Connectors, 5 Row, Type B 19 Col., Shields are supplied and fitted separately as required.
-----------------------------	--

Product Compliance

[For compliance documentation, visit the product page on TE.com>](#)

EU RoHS Directive 2011/65/EU	Compliant
EU ELV Directive 2000/53/EC	Compliant
China RoHS 2 Directive MIIT Order No 32, 2016	No Restricted Materials Above Threshold



EU REACH Regulation (EC) No. 1907/2006

Current ECHA Candidate List: JUNE 2023 (235)

Candidate List Declared Against: JUNE 2023 (235)

Does not contain REACH SVHC

Halogen Content

Low Halogen - Br, Cl, F, I < 900 ppm per homogenous material. Also BFR/CFR/PVC Free

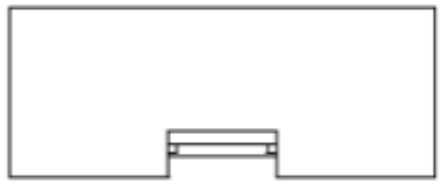
Solder Process Capability

Not applicable for solder process capability

Product Compliance Disclaimer

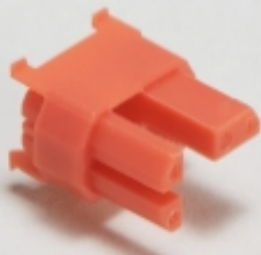
This information is provided based on reasonable inquiry of our suppliers and represents our current actual knowledge based on the information they provided. This information is subject to change. The part numbers that TE has identified as EU RoHS compliant have a maximum concentration of 0.1% by weight in homogenous materials for lead, hexavalent chromium, mercury, PBB, PBDE, DBP, BBP, DEHP, DIBP, and 0.01% for cadmium, or qualify for an exemption to these limits as defined in the Annexes of Directive 2011/65/EU (RoHS2). Finished electrical and electronic equipment products will be CE marked as required by Directive 2011/65/EU. Components may not be CE marked. Additionally, the part numbers that TE has identified as EU ELV compliant have a maximum concentration of 0.1% by weight in homogenous materials for lead, hexavalent chromium, and mercury, and 0.01% for cadmium, or qualify for an exemption to these limits as defined in the Annexes of Directive 2000/53/EC (ELV). Regarding the REACH Regulation, the information TE provides on SVHC in articles for this part number is based on the latest European Chemicals Agency (ECHA) 'Guidance on requirements for substances in articles' posted at this URL: <https://echa.europa.eu/guidance-documents/guidance-on-reach>

Compatible Parts

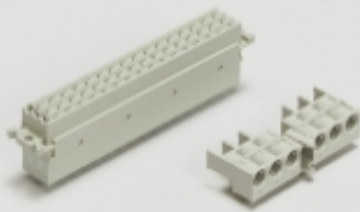


TE Part # 122563-1
SUPP ANVIL 2MM H.M. LOWER SHIE


Also in the Series | Z-PACK 2mm HM



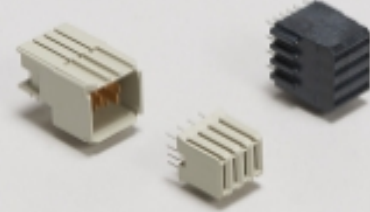
Backplane Coding Keys(60)



Backplane Connector Housings(4)



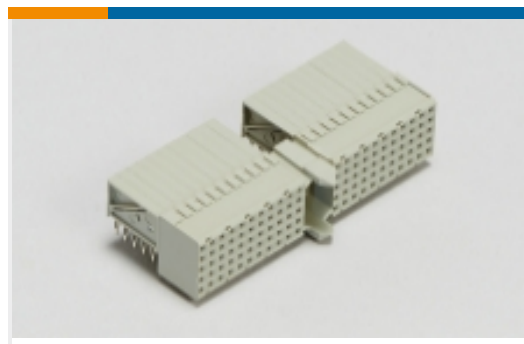
Backplane Guide Hardware(37)



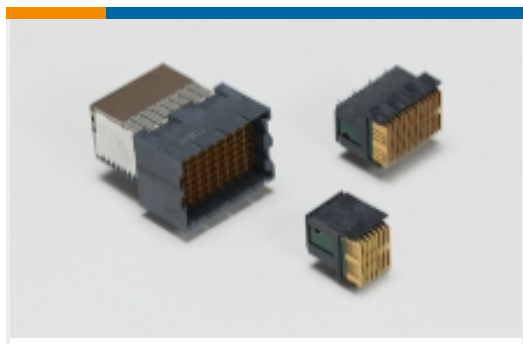
Backplane Power Connectors(6)



Board-to-Board Connector Contacts(2)



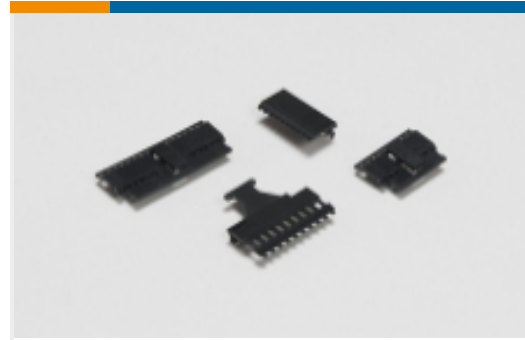
Hard Metric Backplane Connectors (269)



High Speed Backplane Connectors(1)



Insertion & Extraction Tools(2)



PCB Connector Covers(4)



PCB Connector Shrouds(39)

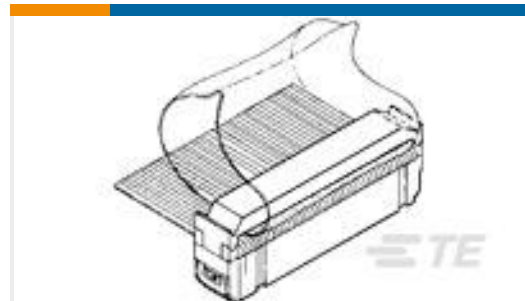


PCB Ferrules & Shields(19)



Rectangular Power Connectors(87)

Customers Also Bought



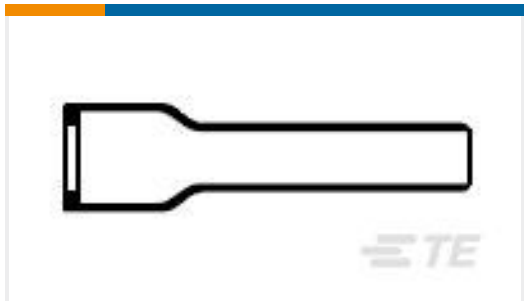
TE Part #5088450-8
PULL LOOP, CUT LENGTH 1.58 IN



TE Part #4-794637-8
18P MICRO MNL ASSY,VRT,SMT LF



TE Part #7-1437624-9
PKJT50B1/8=PKJT-50B 1/4



TE Part #249315-000
202D211-3/180-0



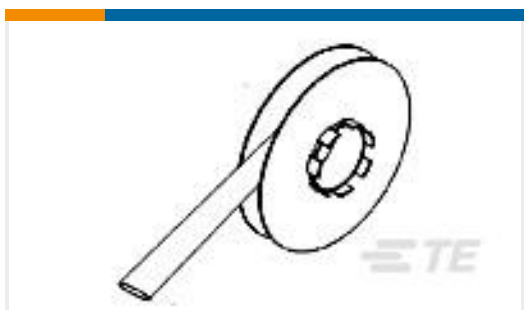
TE Part #53547-1
SPLICE BUTT PVF2 PIDG 24-20



TE Part #6469077-1
HMZD 2PAIR REC. ASSY. 50MM MOD



TE Part #838912-000
TTMS-4.8-0



TE Part #348788-000
TTMS-19.0-0



TE Part #5053034137
RNF-100-1/8-WH-SP

Documents



Product Drawings

Z-PACK SHLD LOWER B

English

CAD Files

3D PDF

3D

Customer View Model

[ENG_CVM_CVM_5352029-2_B.2d_dxf.zip](#)

English

Customer View Model

[ENG_CVM_CVM_5352029-2_B.3d_igs.zip](#)

English

Customer View Model

[ENG_CVM_CVM_5352029-2_B.3d_stp.zip](#)

English

By downloading the CAD file I accept and agree to the [Terms and Conditions](#) of use.

Product Specifications

Application Specification

English

Product Environmental Compliance

TE Material Declaration

English