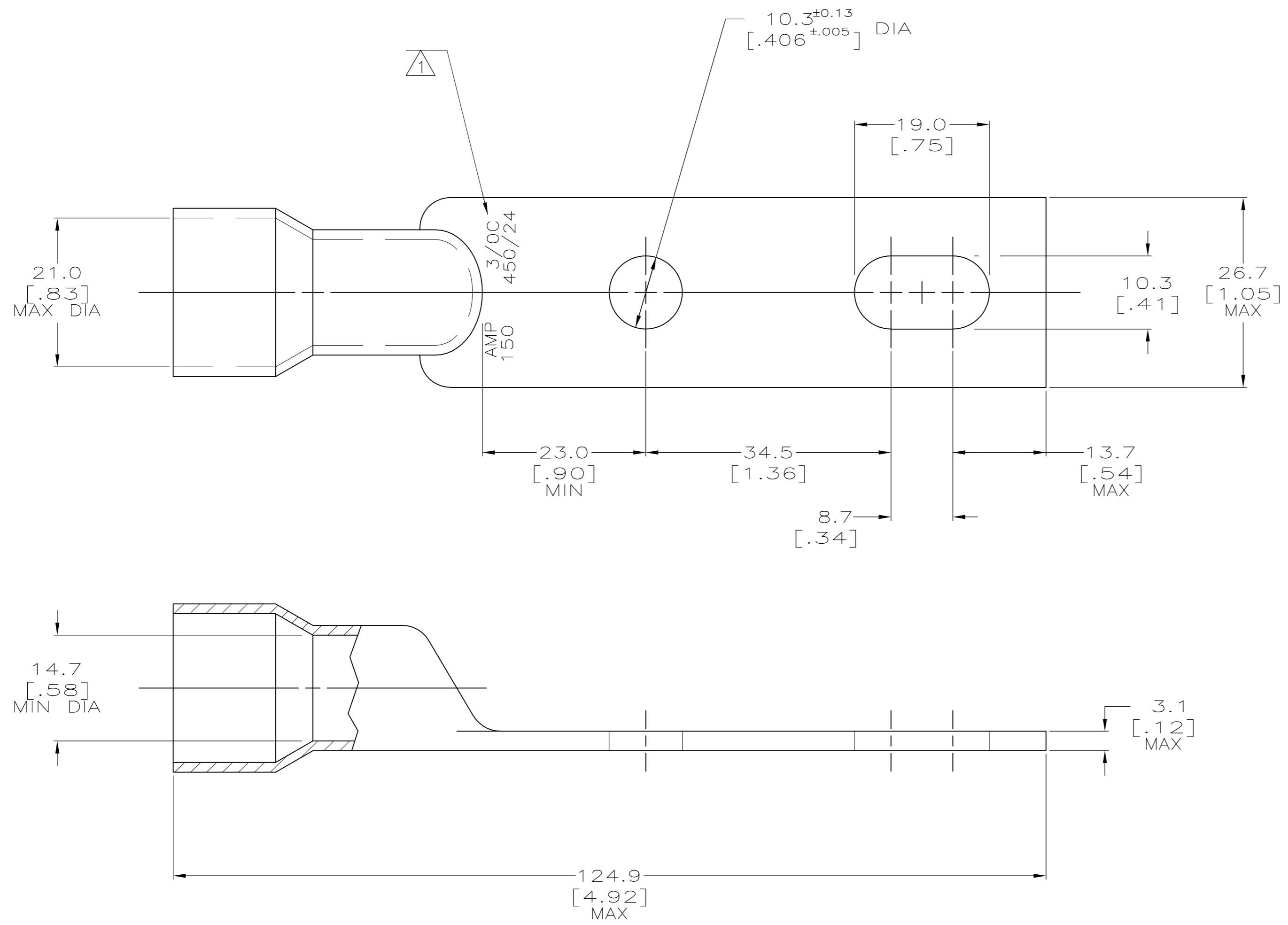


THIS DRAWING IS UNPUBLISHED. RELEASED FOR PUBLICATION
 © COPYRIGHT BY TYCO ELECTRONICS CORPORATION. ALL INTERNATIONAL RIGHTS RESERVED.

LOC	DIST	REVISIONS			
G	86	P	LTR	DESCRIPTION	MS
		D1		REV PER ECR 08-031149	DATE: 09DEC08 DWN: JR APVD: TM



- 1 STAMP AMP 3/0C 150 450/24 LOCATE APPROX IN AREAS SHOWN
- 2 TIN PLATE 0.00381 [.000150] MIN PER ASTM B-545

327803

A

327803
PART NO.

MAX RECOMMENDED OPERATING TEMPERATURE: 170°C	THIS DRAWING IS A CONTROLLED DOCUMENT.		DWN DK SCHRUM 8/3/93	Tyco Electronics Corporation Harrisburg, PA 17105-3608
	VOLTAGE RATING: N/A	DIMENSIONS: MM [INCHES]	CHK AJ KAUFMAN 8/9/93	
CIRCULAR MIL AREA: 76.25-96.27mm² [150,500-90,000] STRANDED		TOLERANCES UNLESS OTHERWISE SPECIFIED:	APVD 8/9/93	PRODUCT SPEC
MATERIAL COPPER PER ASTM B-75 ANNEALED		0 PLC ± - 1 PLC ± - 2 PLC ± 0.20[.008] 3 PLC ± - 4 PLC ± - ANGLES ± - FINISH	APPLICATION SPEC	RESTRICTED TO
			WEIGHT .202 LBS	SIZE A2
			CUSTOMER DRAWING	CAGE CODE 00779
			SCALE 2:1	DRAWING NO C-327803
			SHEET 1 of 1	REV D1