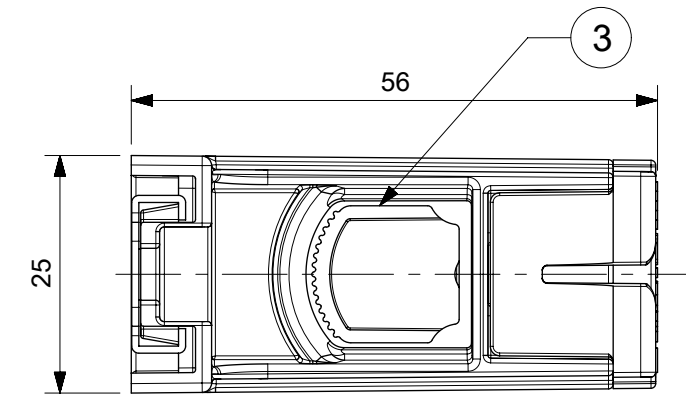
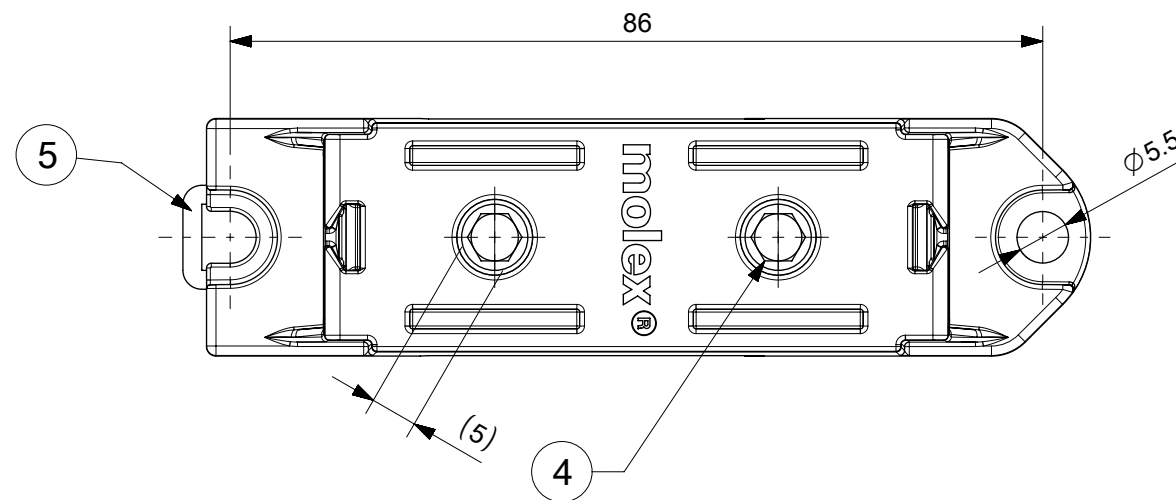
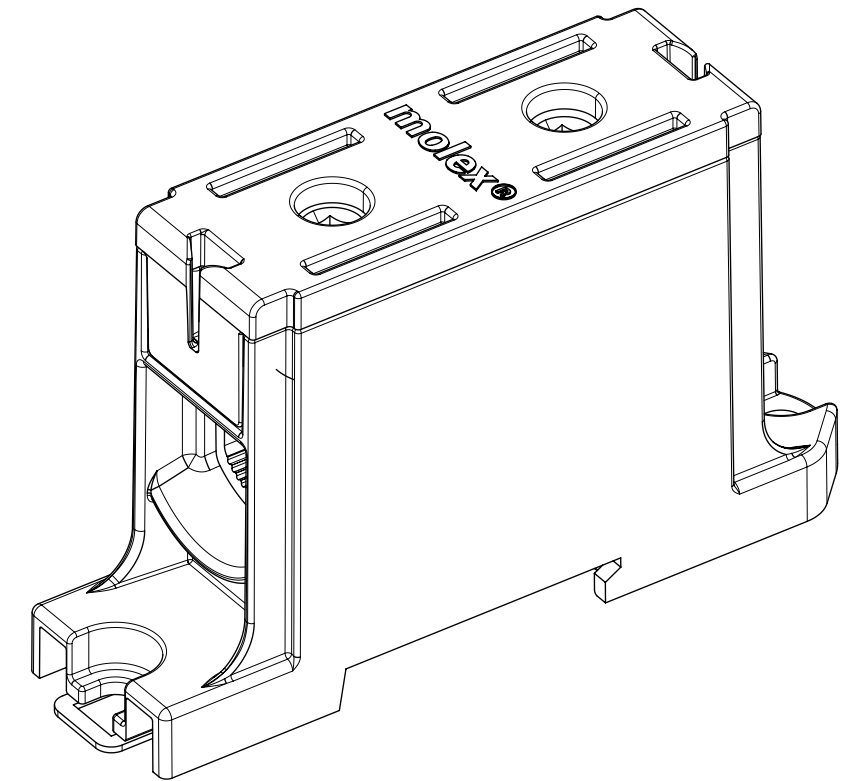
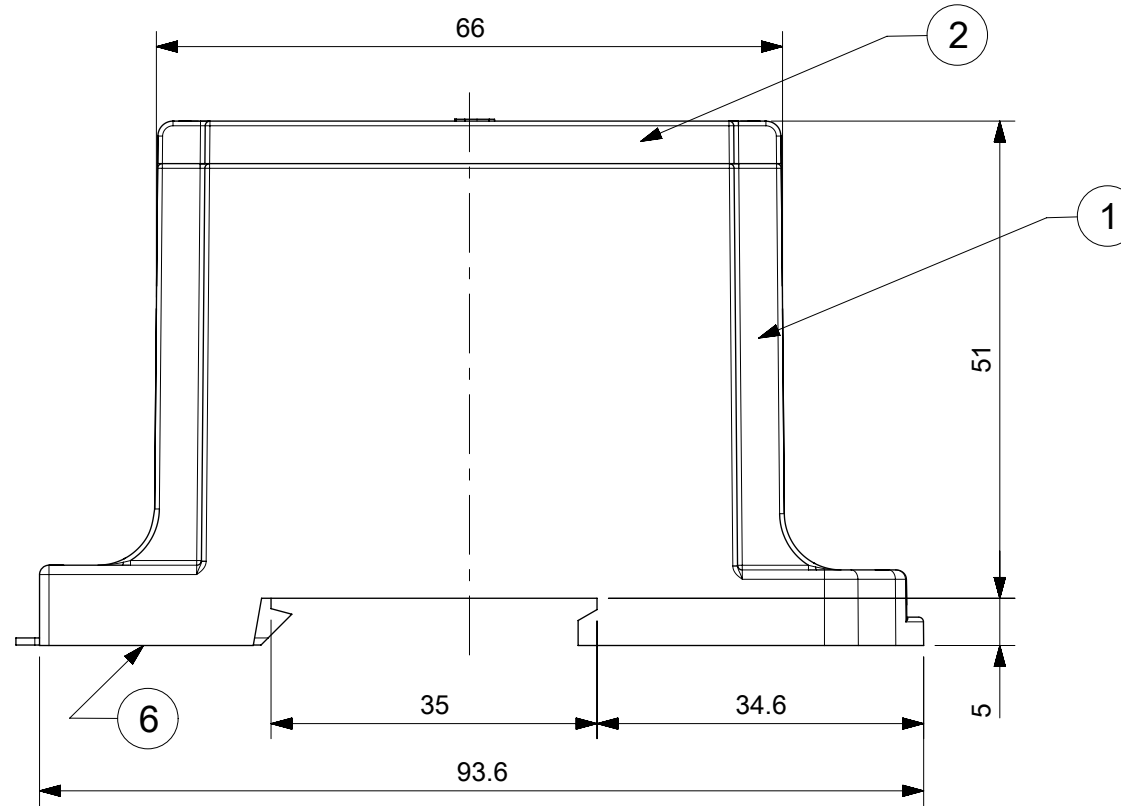


- NOTES:
1. MOUNTING TYPE: 35mm DIN RAIL OR SCREW.
 2. VOLTAGE: 1000 V (UL).
 3. CURRENT: Cu 230A, Al 180A.
 4. WIRE CROSS-SECTION RANGE, UL:
 Cu 4-4/0 AWG (21-107mm²) STRANDED
 Al 4-4/0 AWG (21-107mm²) STRANDED
 Cu 3 X 6 AWG (3 X 13.3mm²) STRANDED
 Cu 2 X 2-6 AWG (2 X 33.6-13.3mm²) STRANDED
 5. HEAD CAP SCREW WITH 5mm HEXAGON SOCKET SIZE.
 USE A TOOL WITH LENGTH ALLOWING FOR A FULL SCREW ENGAGEMENT.
 6. RECOMMENDED TIGHTENING TORQUE:
 126 Lb-In (14Nm).
 7. ALL ELECTRICAL AND MECHANICAL SPECIFICATIONS ARE PER UL1059 AS NOTED IN MOLEX UL AGENCY APPROVAL.
 8. THE SUITABILITY OF THESE TERMINALS SHALL BE DETERMINED IN THE END-USE INVESTIGATION.
 - 9 AS ENVIRONMENTAL BARRIER DIELECTRIC GREASE MAY BE PRESENT IN THE WIRING CHAMBER. ENSURE TO USE THE RECOMMENDED TIGHTING TORQUE FOR ALL CONDUCTORS.



2016061627	MX-KE162.6	UCLP 1PL GRY/BLK 230A/1000V	GREY	BLACK
2016061625	MX-KE162.4	UCLP 1PL GRY/RED 230A/1000V	GREY	RED
2016061623	MX-KE162.2	UCLP 1PL GRY/BLU 230A/1000V	GREY	BLUE
2016061620	MX-KE162	UCLP 1PL GRY/GRY 230A/1000V	GREY	GREY
MATERIAL No	ENGINEERING No	DESCRIPTION	HOUSING COLOR	COVER COLOR

THIS DRAWING CONTAINS INFORMATION THAT IS PROPRIETARY TO MOLEX ELECTRONIC TECHNOLOGIES, LLC AND SHOULD NOT BE USED WITHOUT WRITTEN PERMISSION

ITEM	QTY	DESCRIPTION	MATERIAL
6	1	SPRING, LATCH	STEEL
5	1	LATCH, DIN	STEEL
4	2	SCREW, SET	ALUMINUM
3	1	CAGE	ALUMINUM
2	1	COVER	POLYAMIDE
1	1	HOUSING	POLYAMIDE

TOLERANCE	>0.5=3	>3=6	>6=30	>30=120	>120=400
ISO 2768-m	±0.1	±0.1	±0.2	±0.3	±0.5

EC NO: 120665 DRWN: WLEUNG CHKD: DNGUYEN62 APPR: JFMURPHY	2017/08/14 2017/08/15 2017/08/18	GENERAL TOLERANCES (UNLESS SPECIFIED) ANGULAR TOL ± °	DIMENSION UNITS: mm SCALE: 1.5:1				
	4 PLACES ± 3 PLACES ± 2 PLACES ± 1 PLACE ± 0 PLACES ±	DRAFT WHERE APPLICABLE MUST REMAIN WITHIN DIMENSIONS	DRAWING SIZE: B FIRST ANGLE PROJECTION				
	PRODUCT CUSTOMER DRAWING			SERIES: 201606 MATERIAL NUMBER: SEE CHART CUSTOMER:	PRODUCT CUSTOMER DRAWING		
	DOCUMENT NUMBER: 2016061620			DOC TYPE: PSD DOC PART: 000 SHEET NUMBER: 1 OF 1	PRODUCT CUSTOMER DRAWING		